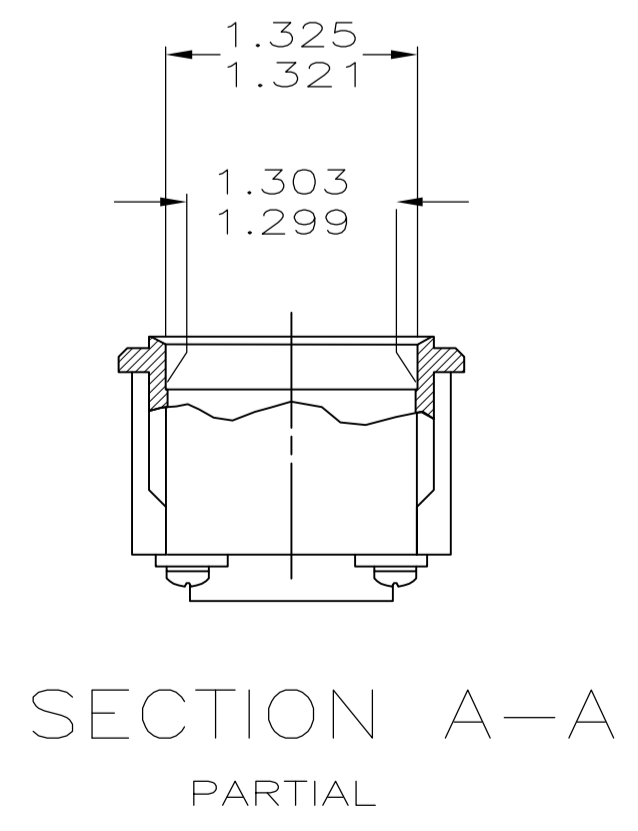
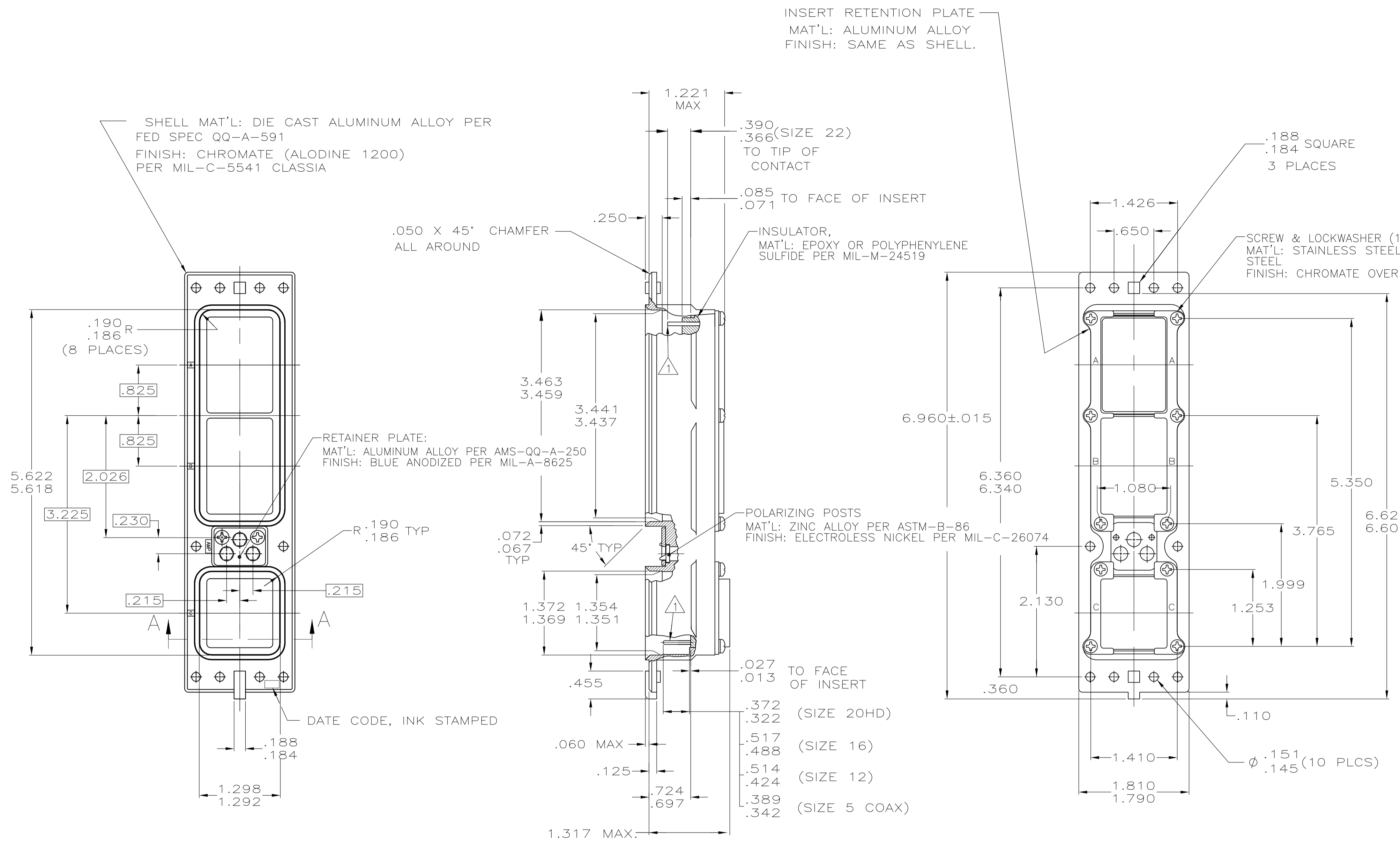


| LOC | DIST                      | REVISIONS |             |         |        |
|-----|---------------------------|-----------|-------------|---------|--------|
| DF  | AO                        | REV       | DESCRIPTION | DATE    | BY     |
| S1  | REVISED PER ECO-11-005030 |           |             | 11MAR11 | RK HMR |



- CONTACTS ARE SHOWN IN POSITION FOR ILLUSTRATION ONLY. FOR SHIPMENT, CONTACTS ARE INCLUDED IN A CONTAINER WITHIN THE CONNECTOR PACKAGE.
  - ALL CONTACT CAVITIES IN MODULES "A" & "B" ARE LOCATED WITHIN .006 DIA. TRUE POSITION. ALL CONTACT CAVITIES IN MODULE "C" ARE LOCATED WITHIN .020 DIA TRUE POSITION.
  - COAX CONTACTS NOT SUPPLIED IN KITS. MUST BE ORDERED SEPARATELY.
  - POLARIZING KEYS SHOWN IN POSITION "01" FOR ILLUSTRATION ONLY- CONNECTORS SHIPPED WITH KEYING PER ORDERING INSTRUCTIONS. CONTACT INSERTS AS SHOWN FOR ILLUSTRATION ONLY- SEE TABLE FOR DESCRIPTIVE NUMBER.
- INSERT MATERIAL: DIE CAST ALUMINUM PER ASTM-B-85

| REMARKS                                 | DESCRIPTIVE NUMBER   | PART NUMBER |
|---|----------------------|-------------|
| PRELIMINARY NOT RELEASED FOR PRODUCTION | NIC66G23A05SF1       | 2-208970-8  |
| PRELIMINARY NOT RELEASED FOR PRODUCTION | NIC66G23A05AA1       | 2-208970-7  |
| -                                       | NIC66G21A03AA0       | 2-208970-6  |
| (G21A29CC1) W/DUST CAP                  | SPECIAL              | 2-208970-5  |
| -                                       | NIC66G21A05CC0       | 2-208970-4  |
| -                                       | NIC66G21A01CC0       | 2-208970-3  |
| -                                       | NIC66G21A02CC0       | 2-208970-2  |
| C4/150/13C2 WITH CONTACTS & COAX        | SPECIAL              | 2-208970-1  |
| -                                       | ADVANCED PART NUMBER | 2-208970-0  |
| -                                       | SPECIAL              | 1-208970-9  |
| -                                       | NIC66G21A01SC1       | 1-208970-8  |
| -                                       | NIC66G21A19AA0       | 1-208970-7  |
| -                                       | NIC66G26A01AA0       | 1-208970-6  |
| -                                       | NIC66G51A01AA0       | 1-208970-5  |
| -                                       | NIC66G21A00AA0       | 1-208970-4  |
| -                                       | NIC66G21A02AA0       | 1-208970-3  |
| -                                       | NIC66G21A02AA1       | 1-208970-2  |
| -                                       | NIC66G21A01CA0       | 1-208970-1  |
| -                                       | NIC66G21A09CC0       | 1-208970-0  |
| -                                       | -                    | 208970-9    |
| BLANK/150/13C2 WITH CONTACTS            | NIC66G51A01AA0       | 208970-8    |
| -                                       | ADVANCED PART NUMBER | 208970-7    |
| -                                       | NIC66G21A01CC1       | 208970-6    |
| -                                       | NIC66G21A01BA1       | 208970-5    |
| -                                       | NIC66G21A01AA1       | 208970-4    |
| -                                       | NIC66G21A01SB1       | 208970-3    |
| -                                       | NIC66G21A01AC0       | 208970-2    |
| -                                       | NIC66G21A01AA0       | 208970-1    |

THIS DRAWING IS A CONTROLLED DOCUMENT. **STE** TE Connectivity

DIMENSIONS: INCHES. TOLERANCES UNLESS OTHERWISE SPECIFIED:

|        |        |
|--------|--------|
| 0 PLC  | ± .005 |
| 1 PLC  | ± .005 |
| 2 PLC  | ± .005 |
| 3 PLC  | ± .005 |
| 4 PLC  | ± .005 |
| ANGLES | ± .005 |

MATERIAL: SEE CALLOUTS. FINISH: SEE CALLOUTS. WEIGHT: -. SIZE: A1.00779. DRAWING NO: 208970. CUSTOMER DRAWING. SCALE: 1:1. SHEET: 1 OF 1. REV: S1.