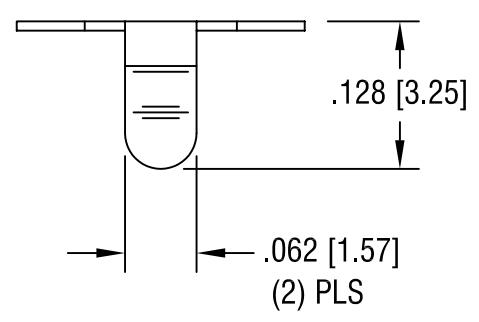
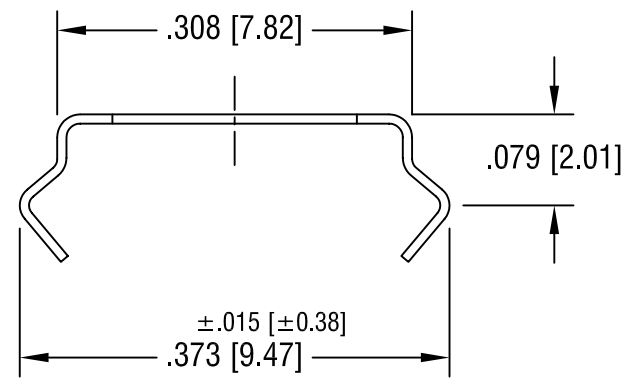
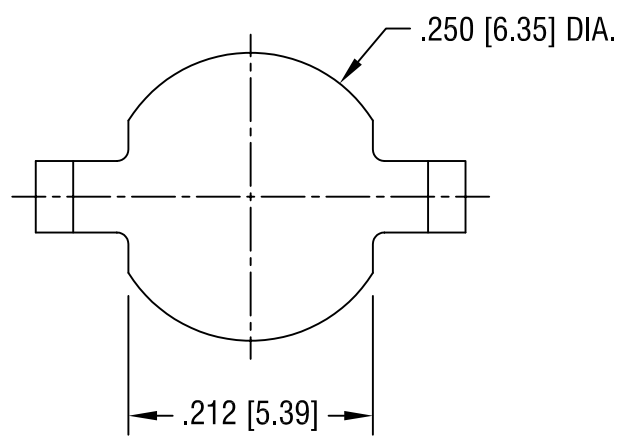
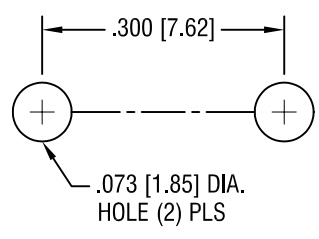


THIS DOCUMENT IS THE PROPERTY OF  
KEYSTONE ELECTRONICS CORP. AND  
SHALL NOT BE REPRODUCED, DISTRIBUTED  
OR USED AS A BASIS FOR MANUFACTURE  
WITHOUT PRIOR WRITTEN PERMISSION  
FROM KEYSTONE ELECTRONICS CORP.

MOUNTING DETAIL



<b>KEYSTONE ELECTRONICS CORP.</b>			
ASTORIA, N.Y. 11105-2017			
PART NAME			
COIN CELL PC NEGATIVE CONTACT			
MATERIAL			
.008 [.20] TH'K PHOSPHOR BRONZE			
FINISH		DRN BY	DATE
TIN NICKEL PLATE		BOONE	12.15.00
		APPD	SCALE
		LN	6X
TOLERANCES	INCH [MM]	CODE	DWG NO.
DECIMAL	± .005 [± 0.15]	C	<b>2990</b>
ANGULAR	± 1°		
UNLESS OTHERWISE SPECIFIED			

9.21.04	CHANGE AS PER ECN 04-120	A
DATE	DESCRIPTION	REV.