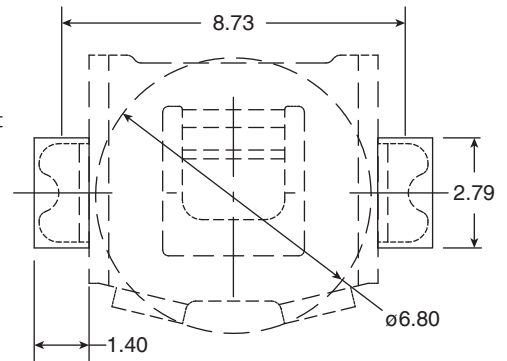
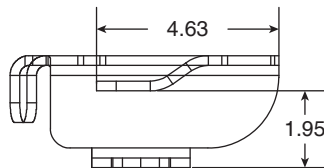
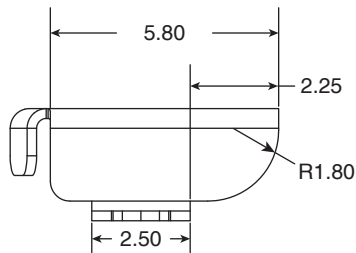
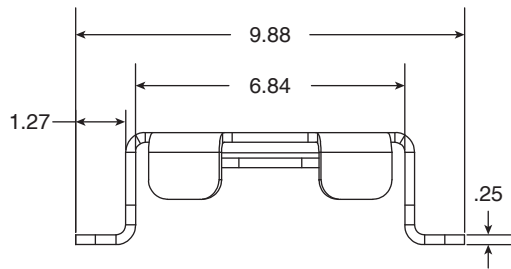
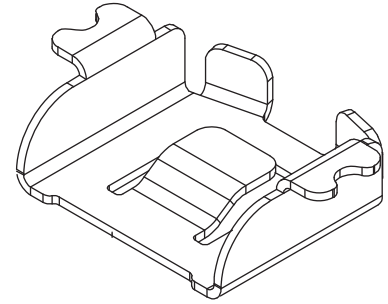
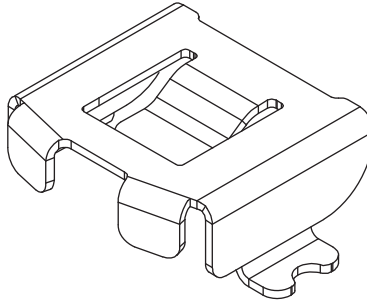
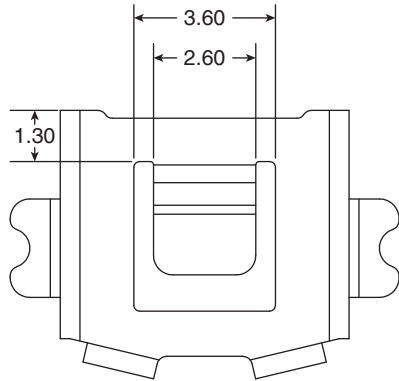


DIMENSIONS: mm.



PCB Layout

SPECIFICATIONS

Material:	.25mm Phosphor Bronze 1/2H, Nickel Plated 4 μ " - 6 μ "
Battery Size:	ML621
RoHS Compliant	