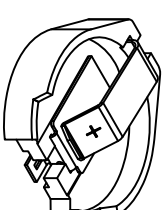
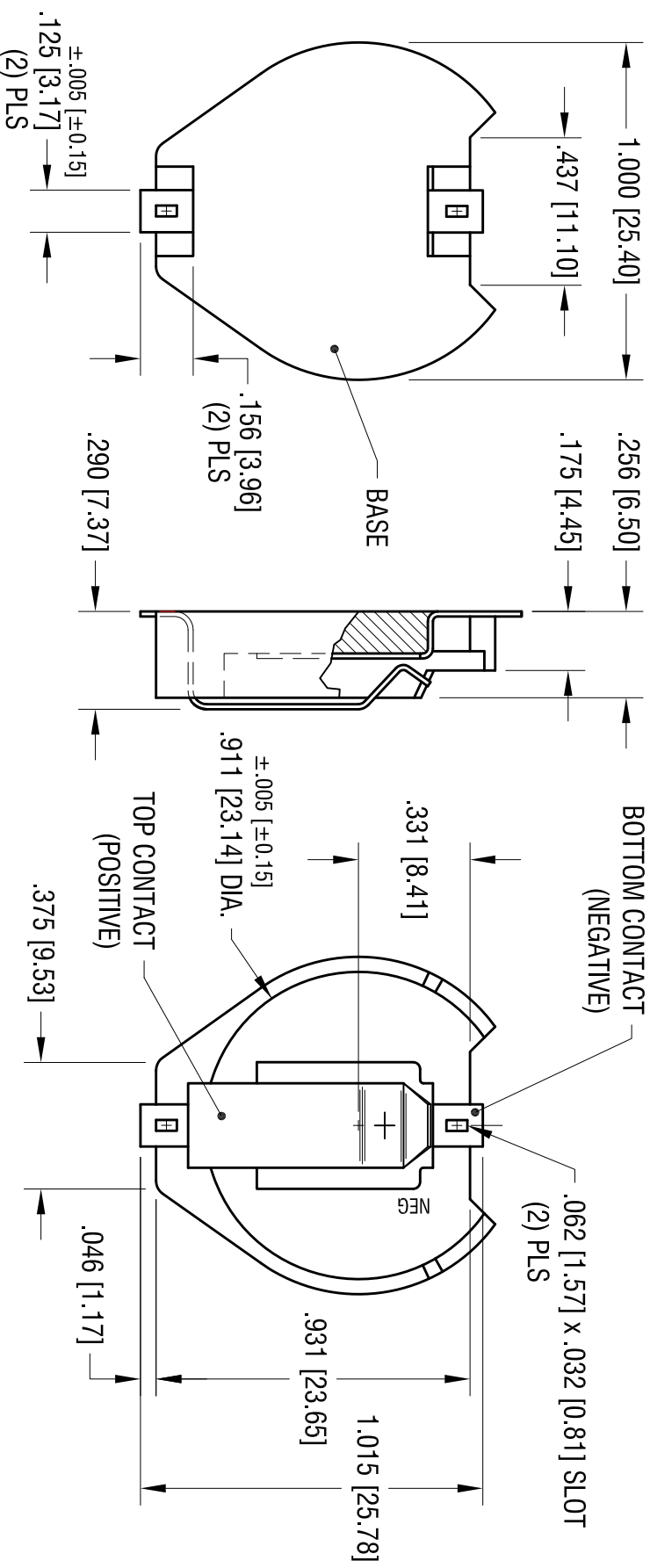
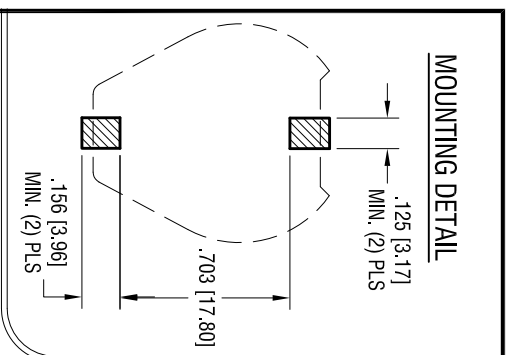


DATE	DESCRIPTION	REV.
9.17.04	CHANGE AS PER ECN 04-108	C
7.05.11	CHANGE AS PER ECN 11-090 SPLIT C/M TO 'C' AND 'M'	D
8.15.11	CHANGE AS PER ECN 11-108	E



ACTUAL SIZE

- NOTES:
1. BASE:  
MATEL - HIGH TEMPERATURE NYLON (UL 94V-0)  
COLOR BLACK
  2. CONTACTS (TOP AND BOTTOM):  
MATEL - .015 [0.38] THK SPRING STEEL  
FINISH: TIN NICKEL PLATE

THIS DOCUMENT IS THE PROPERTY OF KEYSTONE ELECTRONICS CORP. AND SHALL NOT BE REPRODUCED, DISTRIBUTED OR USED AS A BASIS FOR MANUFACTURE WITHOUT PRIOR WRITTEN PERMISSION FROM KEYSTONE ELECTRONICS CORP.

<b>KEYSTONE ELECTRONICS CORP.</b>			
www.keystec.com • ASTORIA, N.Y. 11105-2017 • Tel (718) 956-8900			
PART NAME 23mm BATTERY HOLDER, SMT			
MATERIAL AS NOTED			
FINISH AS NOTED			
TOLERANCES	INCH	[MM]	CODE
DECIMAL	± .010	[± 0.25]	C
ANGULAR	± 1°		
UNLESS OTHERWISE SPECIFIED			
DRN BY	BOONE	DATE	7.16.98
APP'D	LN	SCALE	2X
DWG NO.		<b>1071</b>	