

# Surge Protection Made Simple™ for Coaxial Data Cables

## UL Listed 497B In-line Surge Protective Device for BNC Connector Cable Systems



### Description

The Cooper Bussmann BSPD5BNCSI two-stage in-line surge arrester is for protecting coaxial cable-connected systems (such as video and camera systems) from potential damage.

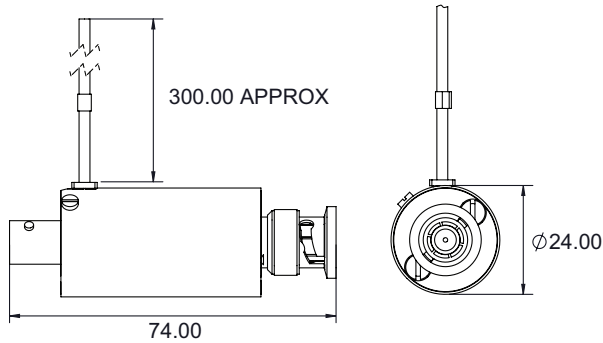
The BSPD5BNCSI shielded surge arrester is plugged into coaxial terminal equipment or connections. Common applications include protecting outdoor video surveillance systems or video control centers. The cable shield is indirectly grounded via a gas discharge tube to avoid being influenced by leakage pickups. The arrester input is used as a socket and the protected output as a plug.

- UL 497B Listed
- Plug-in surge protective device for easy retrofitting
- Directly plugs into terminal equipment with BNC coaxial connections
- Integrated indirect shield grounding avoids leakage pickups

**BSPD5BNCSI**

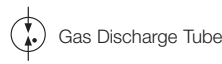
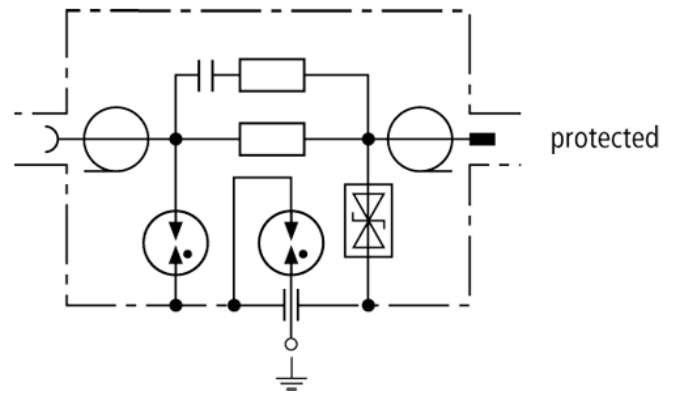


### Dimensions-mm



### In-line SPD for BNC Coax

#### Circuit Diagram



Gas Discharge Tube



Bi-Polar Suppressor Diode



Decoupling Resistor



Capacitor

TECHNICAL DATA	
Catalog Number	BSPD5BNCSI
Nominal voltage (U <sub>N</sub> )	5V
Max. continuous operating DC voltage (U <sub>C</sub> )	8V
C2 Nominal discharge current (8/20μs) per line (I <sub>n</sub> )	2.5kA
C2 Nominal discharge current (8/20μs) shield-PG (I <sub>n</sub> )	10kA
Voltage protection level line-shield for I <sub>n</sub> C2 (U <sub>p</sub> )	≤25V
Voltage protection level line-shield at 1kV/μs C3 (U <sub>p</sub> )	≤15V
Voltage protection level shield-PG at 1kV/μs C3 (U <sub>p</sub> )	≤600V
Insertion loss at 265MHz	≤3dB
Return loss at 40MHz	≥20dB
Impedance (Z)	75Ω
Series impedance per line	10Ω
Capacitance line-shield (C)	≤50pF
Operating temperature range	-40°C to +80°C
Connection (input / output)	BNC Socket (female) / BNC Plug (male)
Grounding	Via outgoing earth conductor 18AWG (0.75mm <sup>2</sup> )
Shield grounding	Indirectly via an integrated spark gap element
Test standards	IEC 61643-21 / EN 61643-21
Agency information	UL 497B
Warranty	5 Years*

\* See Cooper Bussmann SPD Limited Warranty Statement (3A1502) for details at [www.cooperbussmann.com/Surge](http://www.cooperbussmann.com/Surge).

### In-line BNC SPD Applications

Part Number	BSPD5BNCSI
Bus Systems and Measuring & Control Technology	
Control Net	X
Melsec Net 2	X
Data Networks	
Arcnet	X
Video Systems	
Video (coax)	X



The only controlled copy of this Data Sheet is the electronic read-only version located on the Cooper Bussmann Network Drive. All other copies of this document are by definition uncontrolled. This bulletin is intended to clearly present comprehensive product data and provide technical information that will help the end user with design applications. Cooper Bussmann reserves the right, without notice, to change design or construction of any products and to discontinue or limit distribution of any products. Cooper Bussmann also reserves the right to change or update, without notice, any technical information contained in this bulletin. Once a product has been selected, it should be tested by the user in all possible applications.