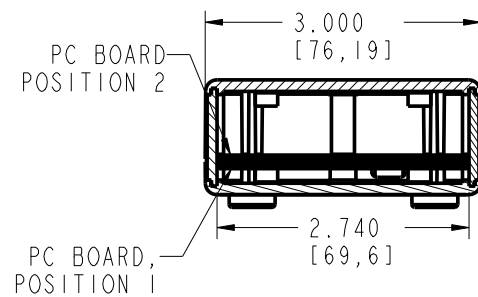
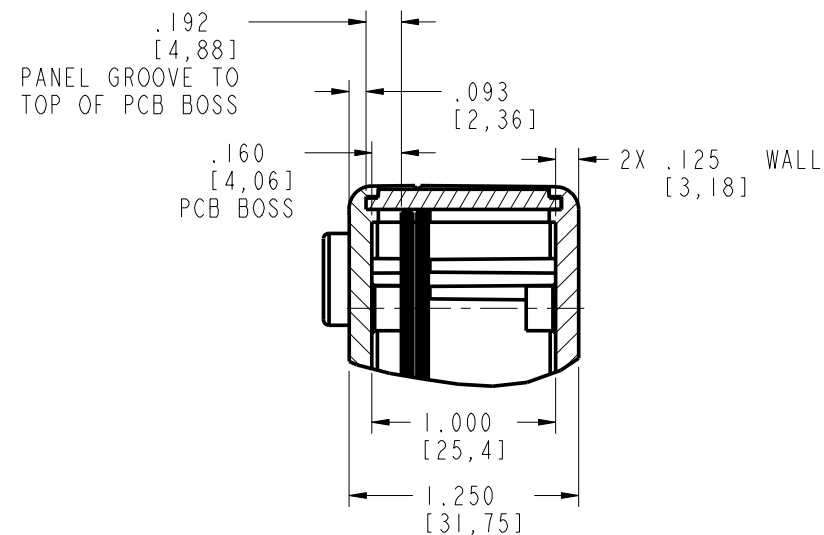
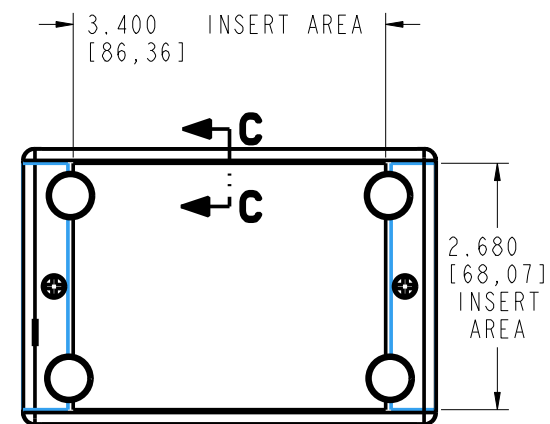


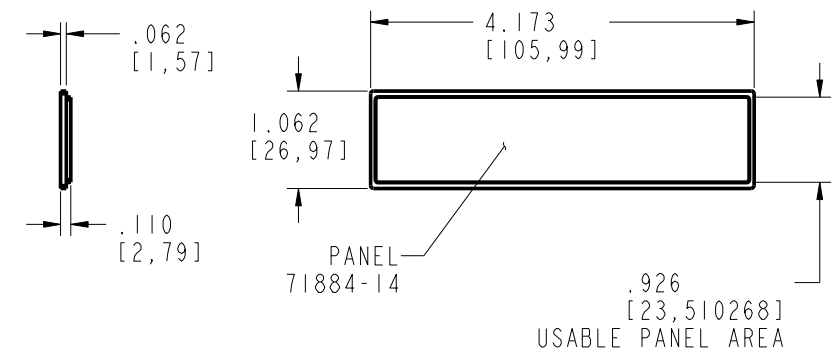
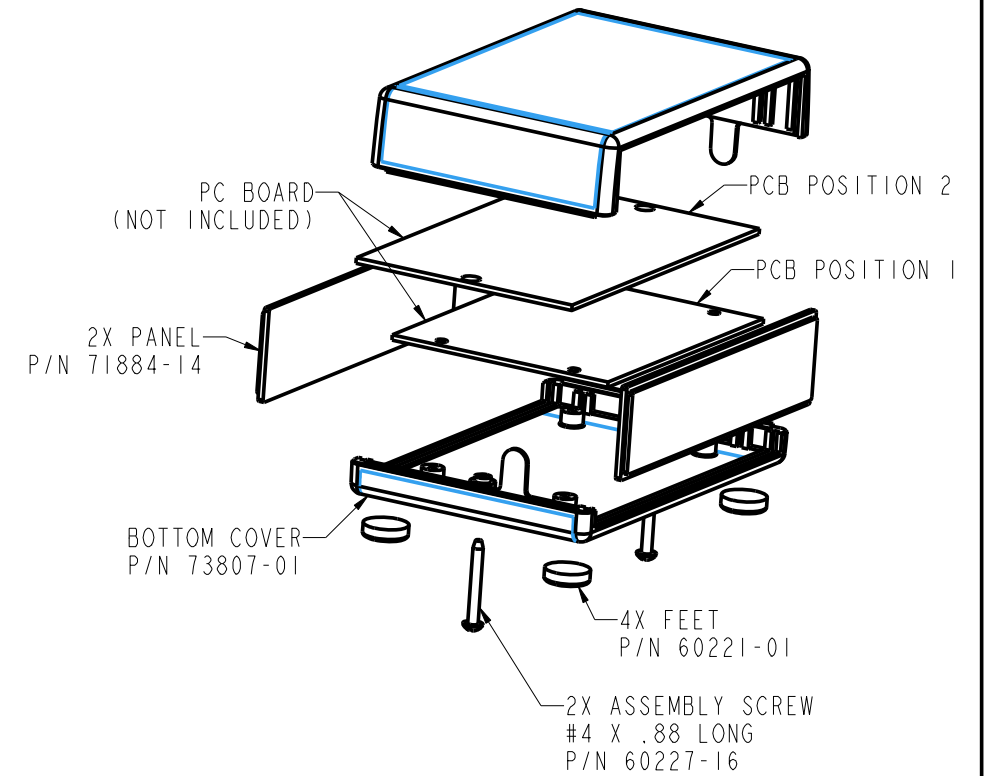
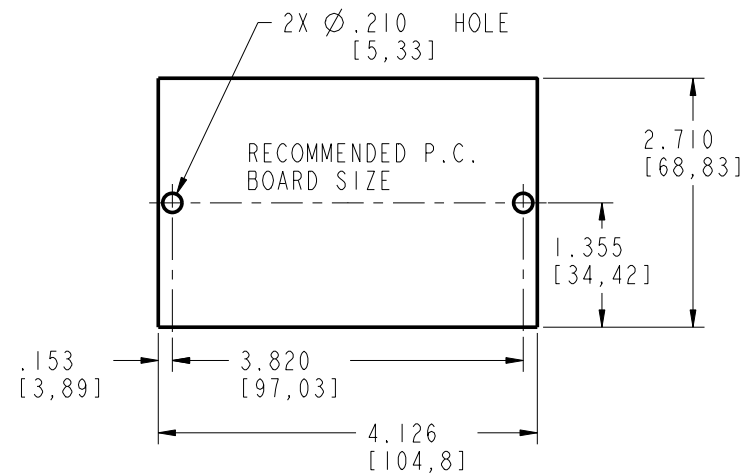
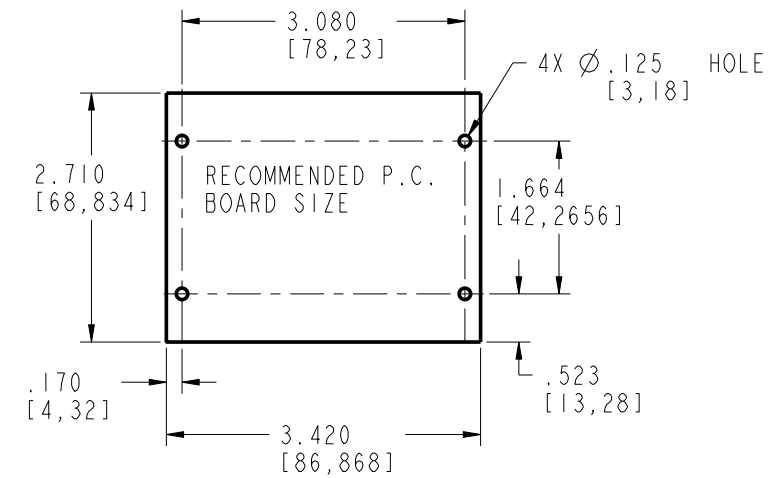
SECTION A-A



SECTION B-B



SECTION C-C
SCALE 2.000



PACNTEC[®]
1-610-361-4231

LH43-100

VISIT **PACNTEC**[®]
ON THE WORLD WIDE WEB
www.pactecenclosures.com

INSERT AREAS ARE SECTIONS IN OUR TOOLS
THAT CAN BE REMOVED AND REPLACED WITH
CUSTOMER SPECIFIC DETAILS

DRAWING NUMBER	REV
77240	C