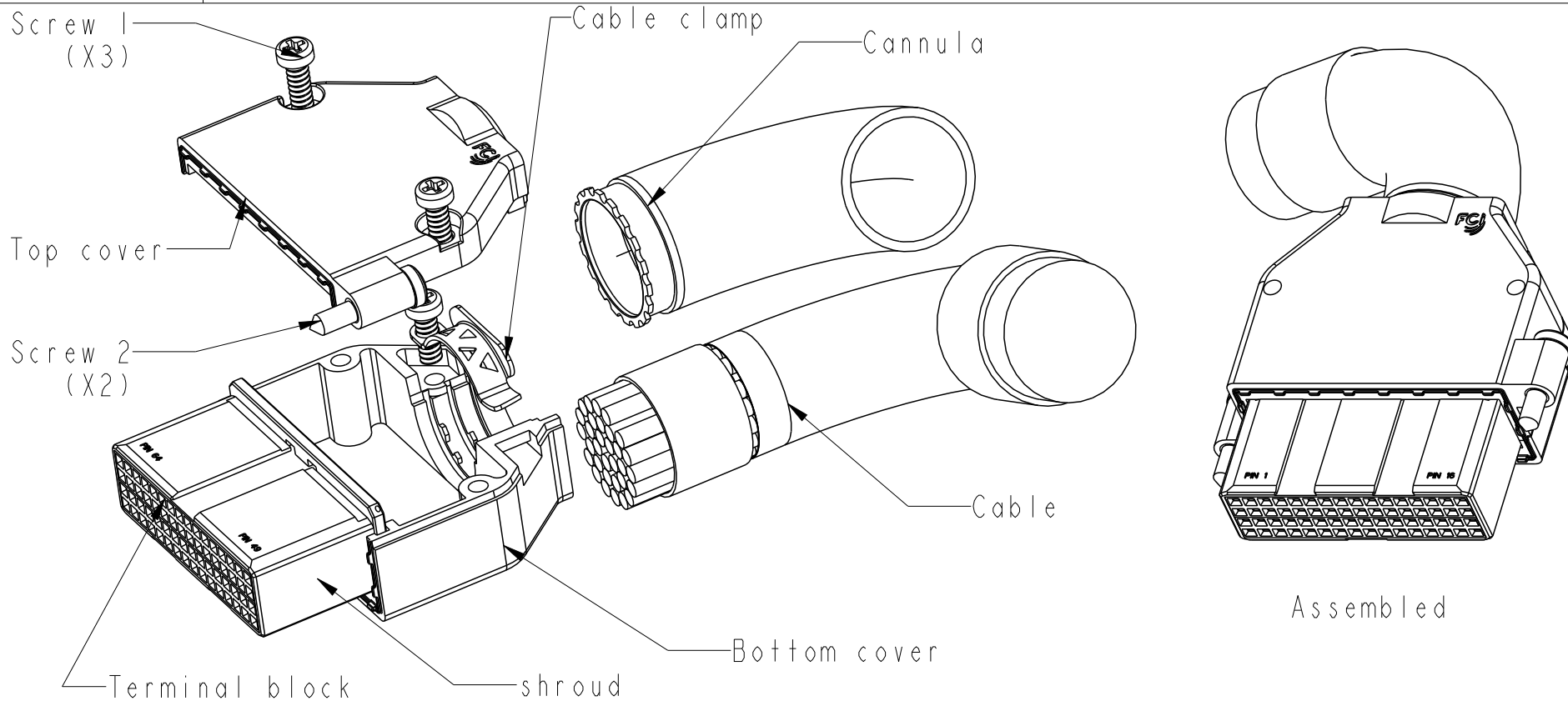


Kits	Top cover	Bottom Cover	Cable Clamp	Shroud	Terminal Block	Screw 1	Screw 2	Cannula	Wire
10118971-101LF	1	1	1	1	2	3	2	1	24&26
10118971-102LF	1	1	1	1	2	3	2	1	28&30
10118971-201LF	1	1	1	1	2	3	2	N/A	24&26
10118971-202LF	1	1	1	1	2	3	2	N/A	28&30
N/A	Qty								N/A



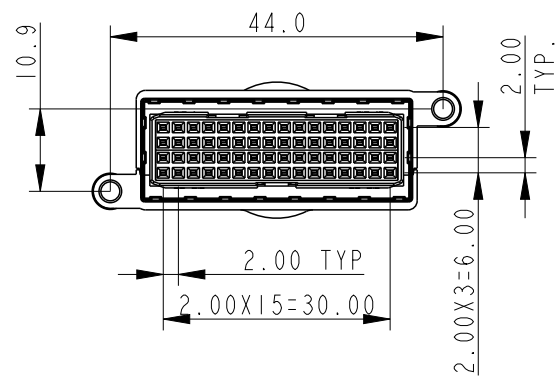
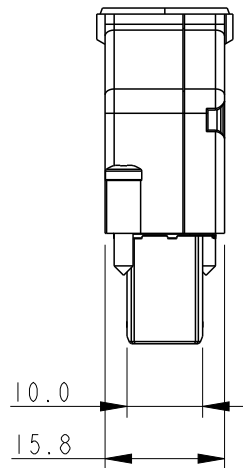
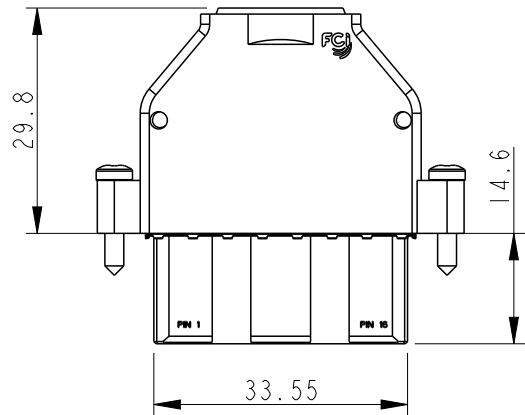
spec ref		dr De-Feng, Qin		2011/10/23		projection		size A4		scale 1:1	
tolerance std		eng De-Feng, Qin		2012/06/27						ecn no ELX-DG-012036-1	
ISO 406		chr Young Ou		2012/06/28						rel level Released	
ISO 1101		appr Pei-Ming Zheng		2012/06/28		product family				rev B	
surface <input checked="" type="checkbox"/>		linear		0.X ± 0.30				title 64p EITL cable kits Vertical cable outlet		dwg no 10118971	
				0.XX ± 0.15							
				0.XXX ± 0.05							
ISO 1302		angular		0° ± 3°		www.fci.com		cat. no.		Product - Customer Drw	

ProjE File - REV C - 2009-06-09

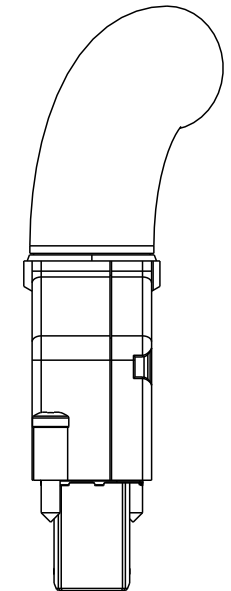
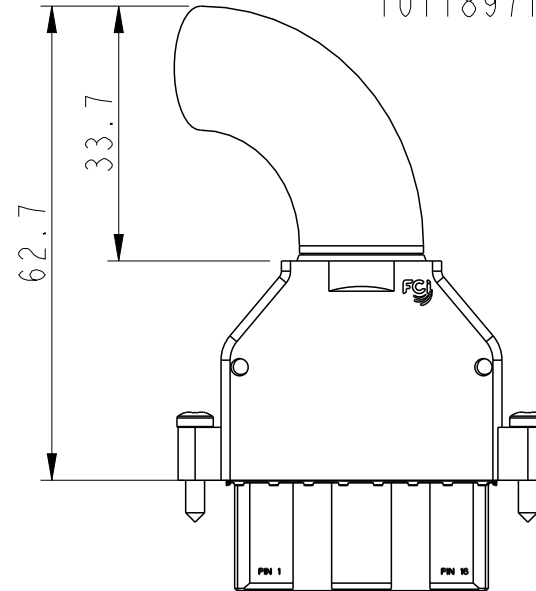


Copyright FCI.

10118971-20XLF



10118971-10XLF



Notes:

1. This product is not intended to be exposed to a manufacturing solder process.
2. Material:  
Die-casting cover & Cannula: Zn alloy with Cu, Nickle & bright Tin plating.  
Shroud & terminal block housing: PBT  
Terminal contact: Copper alloy and performance according to Telcordia CO  
Screw: Stainless steel
3. Cable O.D:  $\varnothing 13\sim 16.2\text{mm}$
4. Product specification : GS-12-587  
Packaging specification : GS-14-1306  
Application specification : GS-20-123

spec ref		dr	De-Feng, Qin	2011/10/23	projection 	MM 	size	A4	scale	1:1			
tolerance std		eng	De-Feng, Qin	2012/06/27			product family	ecn no	ELX-DG-012036-1				
ISO 406 ISO 1101		chr	Young Ou	2012/06/28				rel level	Released				
TOLERANCES UNLESS OTHERWISE SPECIFIED		appr	Pei-Ming Zheng	2012/06/28	title		64p EITl cable kits		dwg no		10118971	rev	B
surface <input checked="" type="checkbox"/>		linear		0.X	$\pm 0.30$	cat. no.		Product - Customer Drw		sheet 2 of 2			
ISO 1302		angular		0°	$\pm 3^\circ$	www.fci.com		STATUS:Released		Printed: Jun 28, 2012			