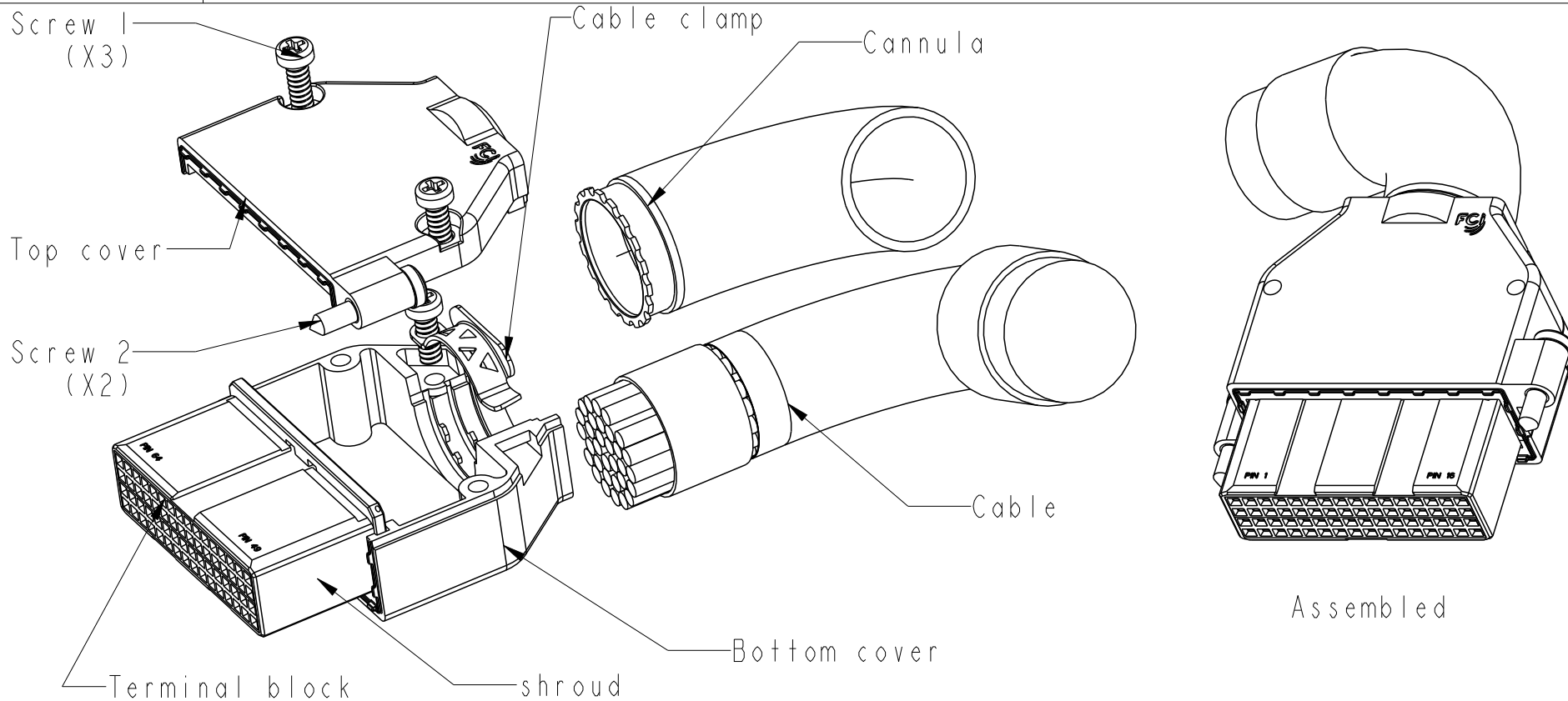


Kits	Top cover	Bottom Cover	Cable Clamp	Shroud	Terminal Block	Screw 1	Screw 2	Cannula	Wire
10118971-101LF	1	1	1	1	2	3	2	1	24&26
10118971-102LF	1	1	1	1	2	3	2	1	28&30
10118971-201LF	1	1	1	1	2	3	2	N/A	24&26
10118971-202LF	1	1	1	1	2	3	2	N/A	28&30
N/A	Qty								N/A



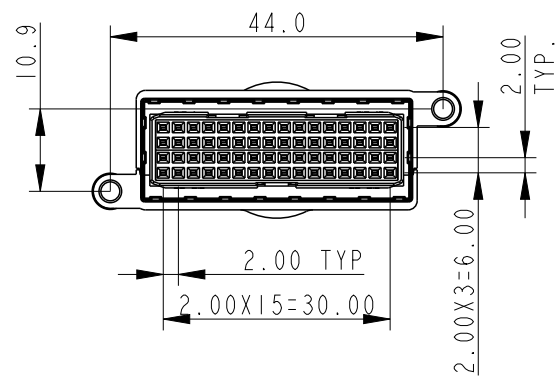
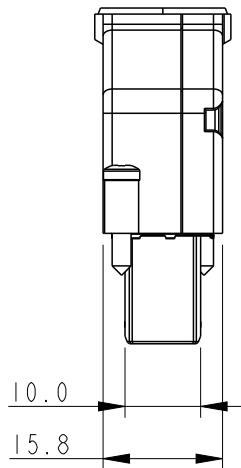
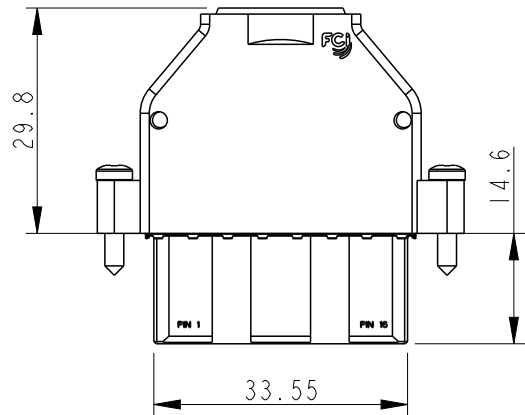
spec ref		dr De-Feng, Qin		2011/10/23		projection		size A4		scale 1:1	
tolerance std		eng De-Feng, Qin		2012/06/27						ecn no ELX-DG-012036-1	
ISO 406		chr Young Ou		2012/06/28						rel level Released	
ISO 1101		appr Pei-Ming Zheng		2012/06/28		product family				rev B	
surface <input checked="" type="checkbox"/>		linear		0.X ± 0.30				title 64p EITL cable kits Vertical cable outlet		dwg no 10118971	
				0.XX ± 0.15							
				0.XXX ± 0.05							
ISO 1302		angular		0° ± 3°		www.fci.com		cat. no.		Product - Customer Drw sheet 1 of 2	

ProjE File - REV C - 2009-06-09

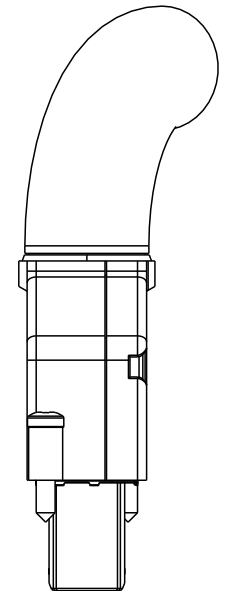
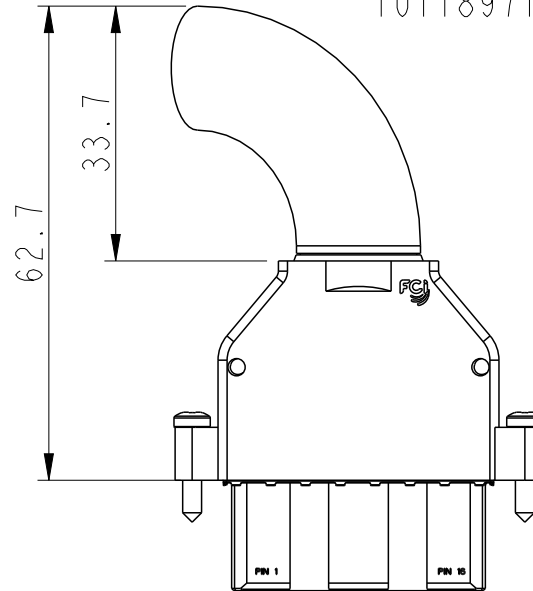


Copyright FCI.

10118971-20XLF



10118971-10XLF



Notes:

1. This product is not intended to be exposed to a manufacturing solder process.
2. Material:
Die-casting cover & Cannula: Zn alloy with Cu, Nickle & bright Tin plating.
Shroud & terminal block housing: PBT
Terminal contact: Copper alloy and performance according to Telcordia CO
Screw: Stainless steel
3. Cable O.D: $\varnothing 13\sim 16.2\text{mm}$
4. Product specification : GS-12-587
Packaging specification : GS-14-1306
Application specification : GS-20-123

spec ref		dr De-Feng, Qin		2011/10/23		projection		MM		size A4		scale 1:1	
tolerance std		eng De-Feng, Qin		2012/06/27						ecn no ELX-DG-012036-1		rel level Released	
ISO 406		chr Young Ou		2012/06/28									
ISO 1101		appr Pei-Ming Zheng		2012/06/28		product family							
surface <input checked="" type="checkbox"/>		TOLERANCES UNLESS OTHERWISE SPECIFIED linear				title 64p EITl cable kits Vertical cable outlet		dwg no 10118971		rev B			
ISO 1302												angular 0° ± 3°	