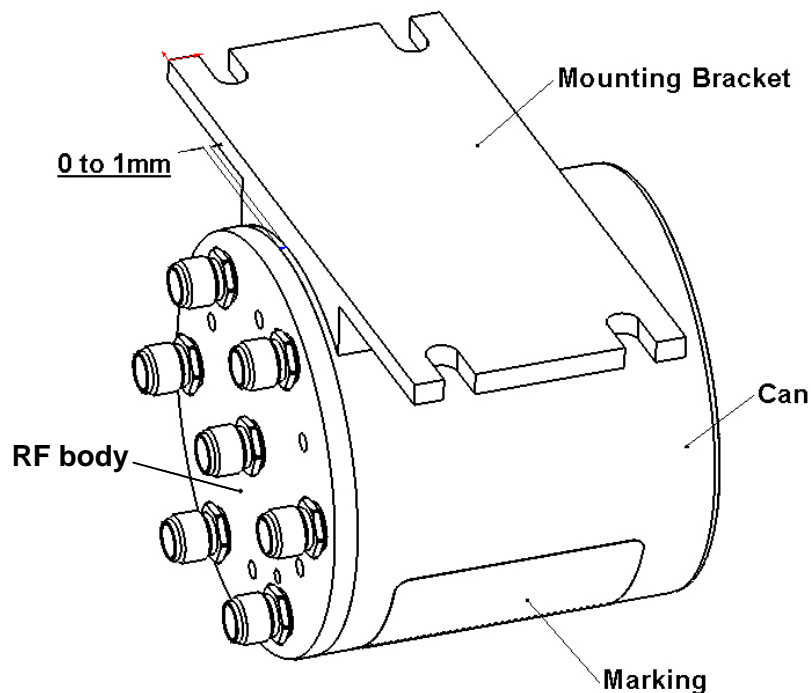


ADHESIVE BONDING PROCESS

- 1) Clean the can with alcohol (Isopropanol or Ethanol).
- 2) Remove the protective adhesive tape surface.
- 3) Glue the mounting bracket **ONLY** on the blue can and **NOT** on the RF body. **DO NOT** glue mounting bracket on the marking (See drawing).
- 4) Firmly press the mounting bracket against the can, and maintain pressure for several seconds (10 seconds min) then, unit is now properly bonded (See note 1 & 2).
- 5) Product can be fixed in your equipment with four screws (non included).

Note 1: Adhesive tape may not be used more than one time.

Note 2: Adhesive bonding does not require polymerization.

CAUTION: Mounting Bracket may reduce the shocks and vibrations levels guaranteed for the standard product