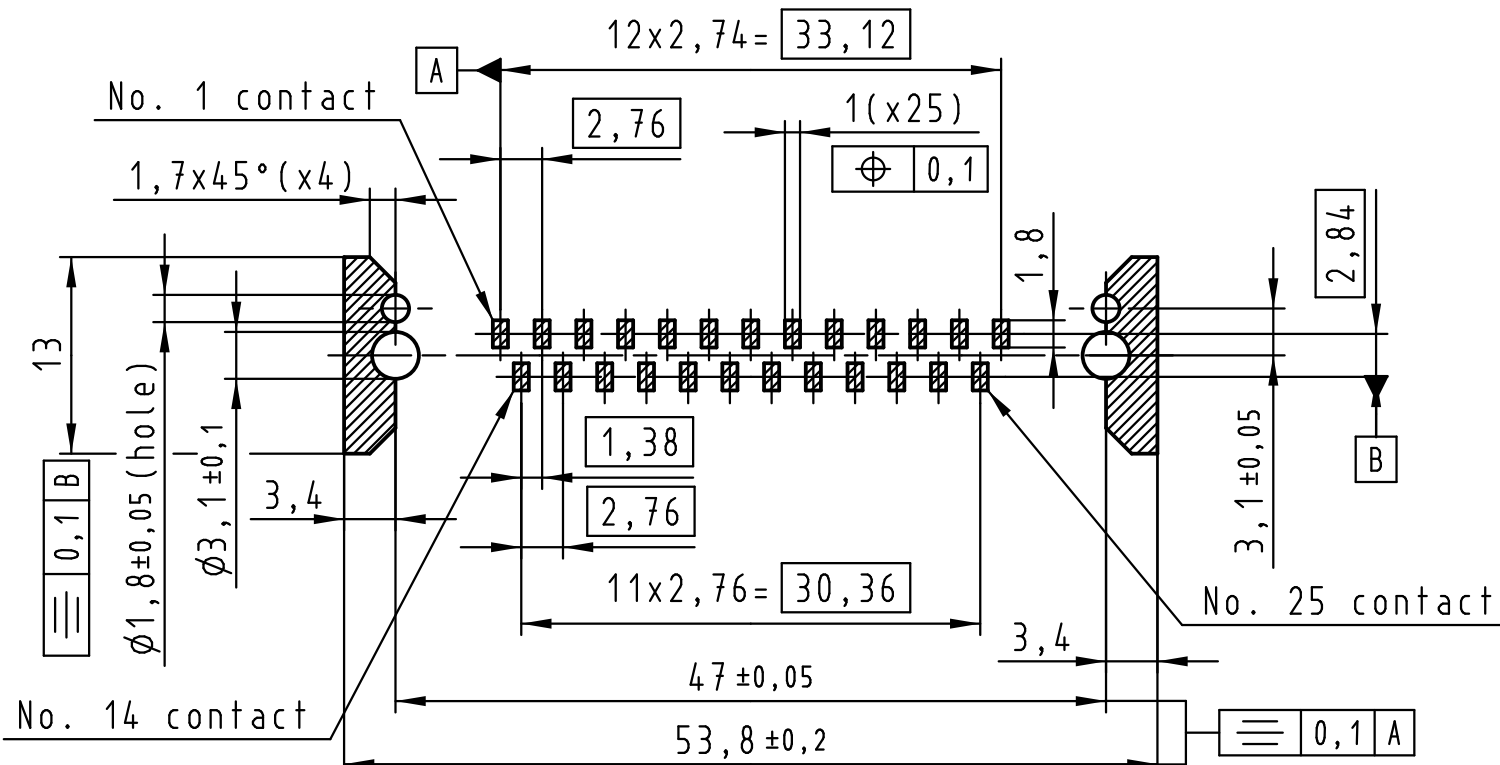
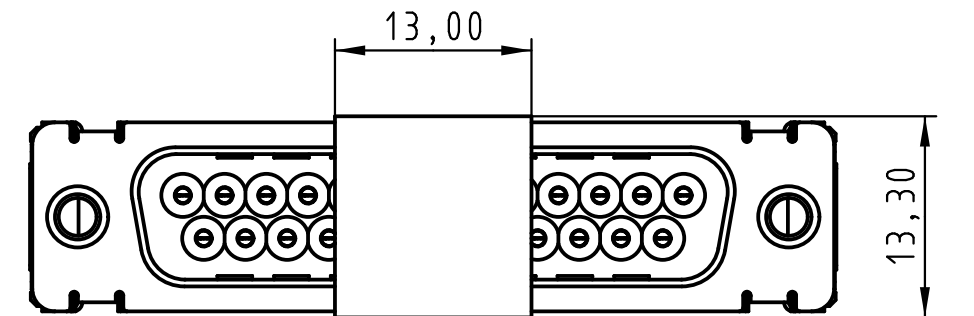
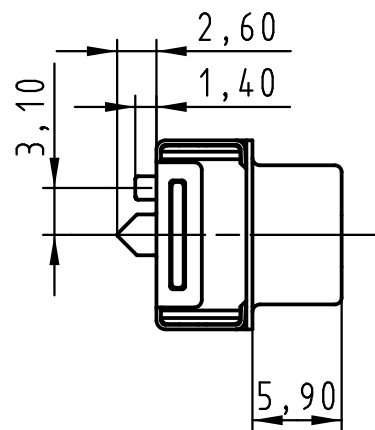
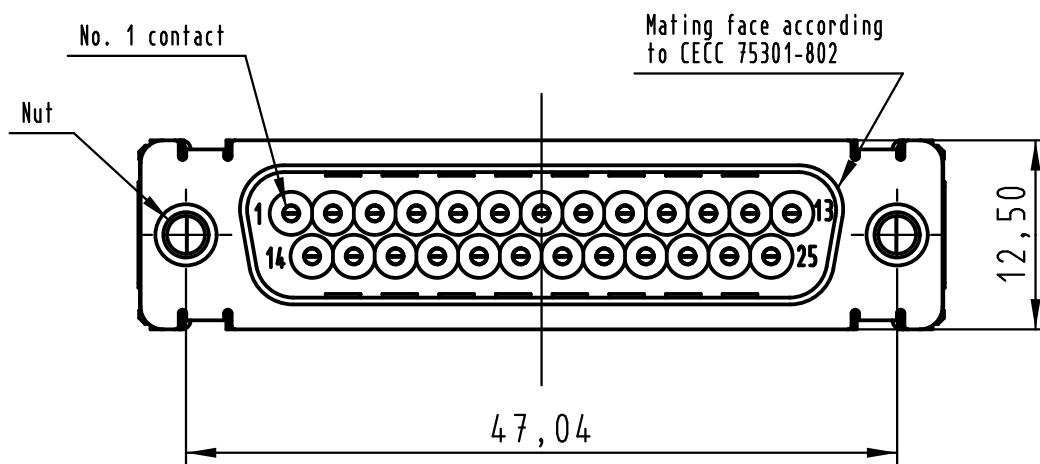
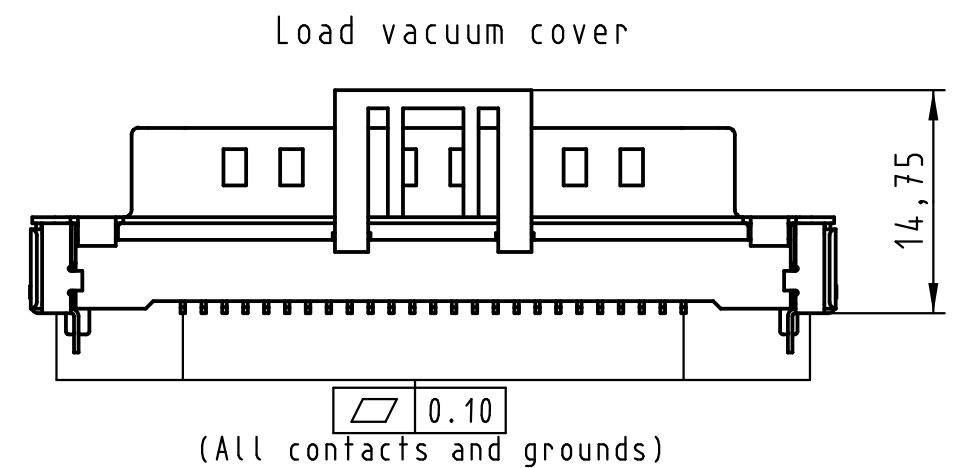
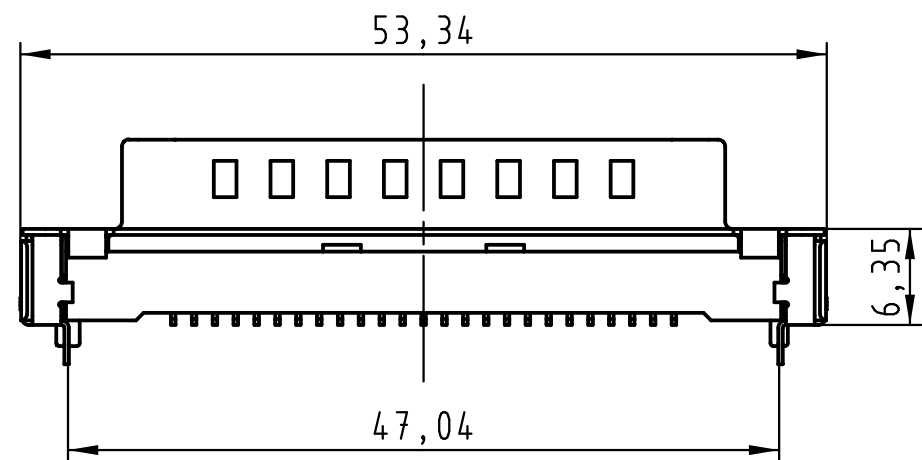


All rights reserved



PCB layout, component side

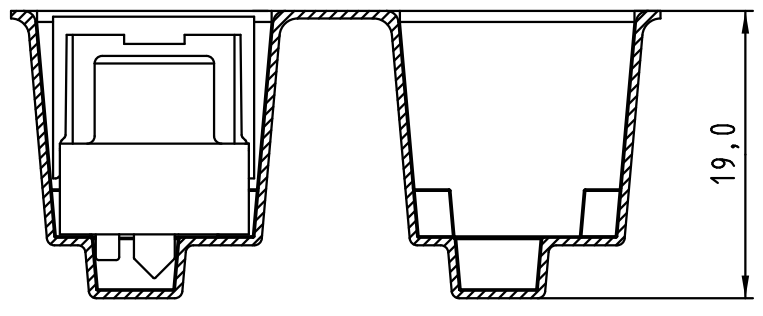
Max. Temperature: 260° during 10 seconds.

0955 369 3811 741	1	M3	Black insulator	Reel Packaging: 140 connectors (See details on page 2/2)
0955 369 3812 741	1	4-40 UNC		
0955 369 6811 741	2	M3		
0955 369 6812 741	2	4-40 UNC		
0955 369 7811 741	3	M3		
0955 369 7812 741	3	4-40 UNC		

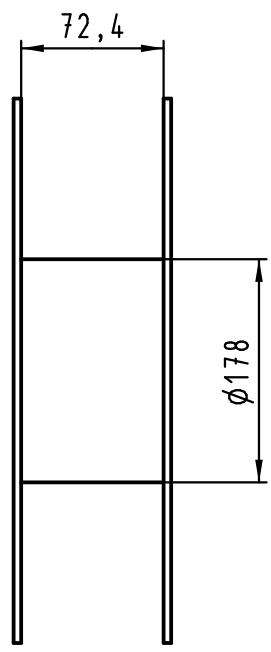
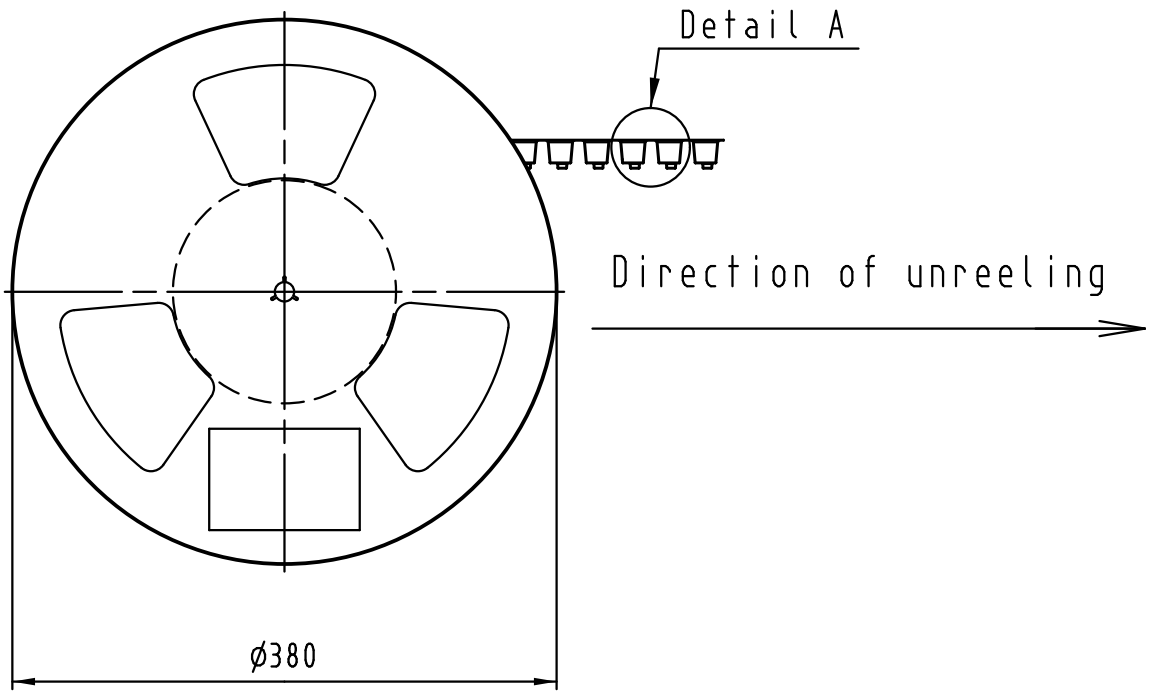
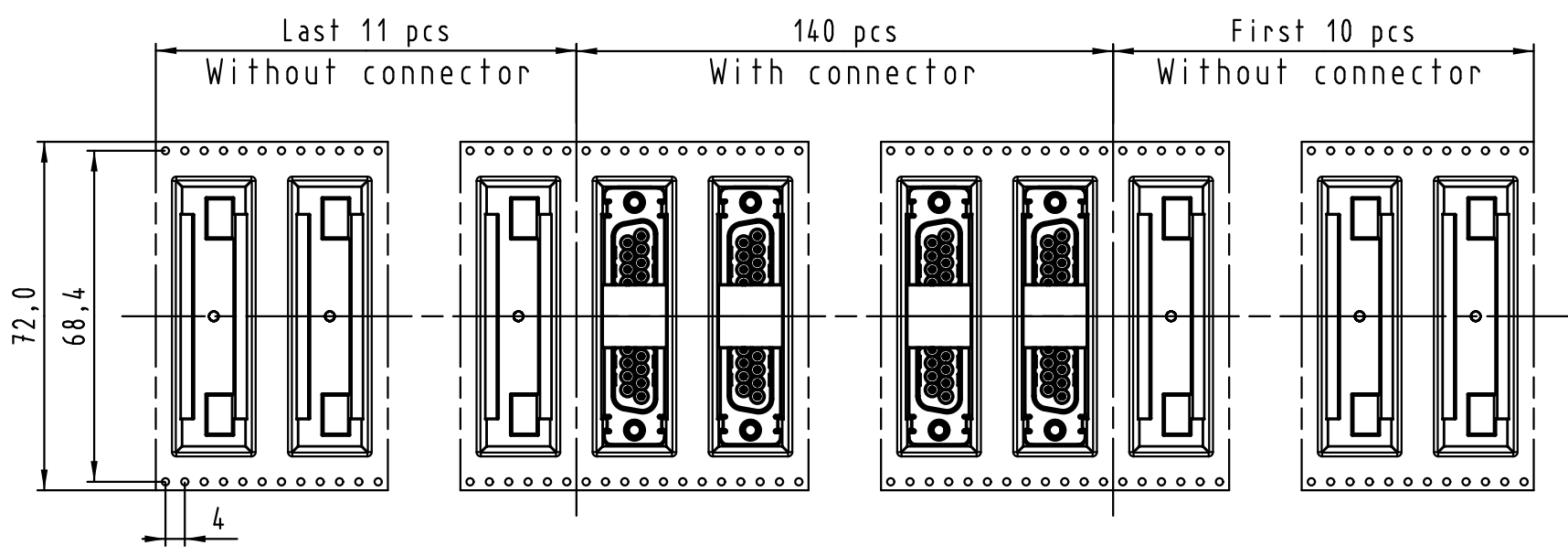
Part number	PL	Nut	Index designation	
All Dimensions in mm Original Size DIN A 3			Free size tolerances	
Techn. Character.		Scale		D-Sub SMT, 25 poles Male, Straight with nuts and ground pins
Detail.	Dat.	Name	2:1	
Insp.	17-Nov-11	Steven.W		
Stand.	17-Nov-11	Steven.W		
EC04070	17-Nov-11	Johnson.S	Zhuhai HARTING Limited	
Mod.	Dat.	Name	TB 09 55 369 x81x	Page 1/2

1 2 3 4 5 6 7 8

A B C D E F



Detail A



See TB 09 55 369 x81x folio 1/2 for connector dimensions and PCB layout

Packaging in accordance with EIA 481-2.

All rights reserved

0955 369 3811 741	1	M3	Black insulator	Reel Packaging: 140 connectors
0955 369 3812 741	1	4-40 UNC		
0955 369 6811 741	2	M3		
0955 369 6812 741	2	4-40 UNC		
0955 369 7811 741	3	M3		
0955 369 7812 741	3	4-40 UNC		
Part number	PL	Nut	Index designation	

	All Dimensions in mm Original Size DIN A 3			Techn. Character.		Free size tolerances	
				Dat.	Name	Scale	
				Detail.	25-Oct-11 Johnson.S	D-Sub SMT, 25 poles Male, Straight with nuts and ground pins	
				Insp.	17-Nov-11 Steven.W		
				Stand.	17-Nov-11 Steven.W		
EC04070	17-Nov-11	Johnson.S	Zhuhai HARTING Limited			TB 09 55 369 x81x	Page 2/2
Mod.	Dat.	Name				Sub.	

1 2 3 4 5 6 7 8