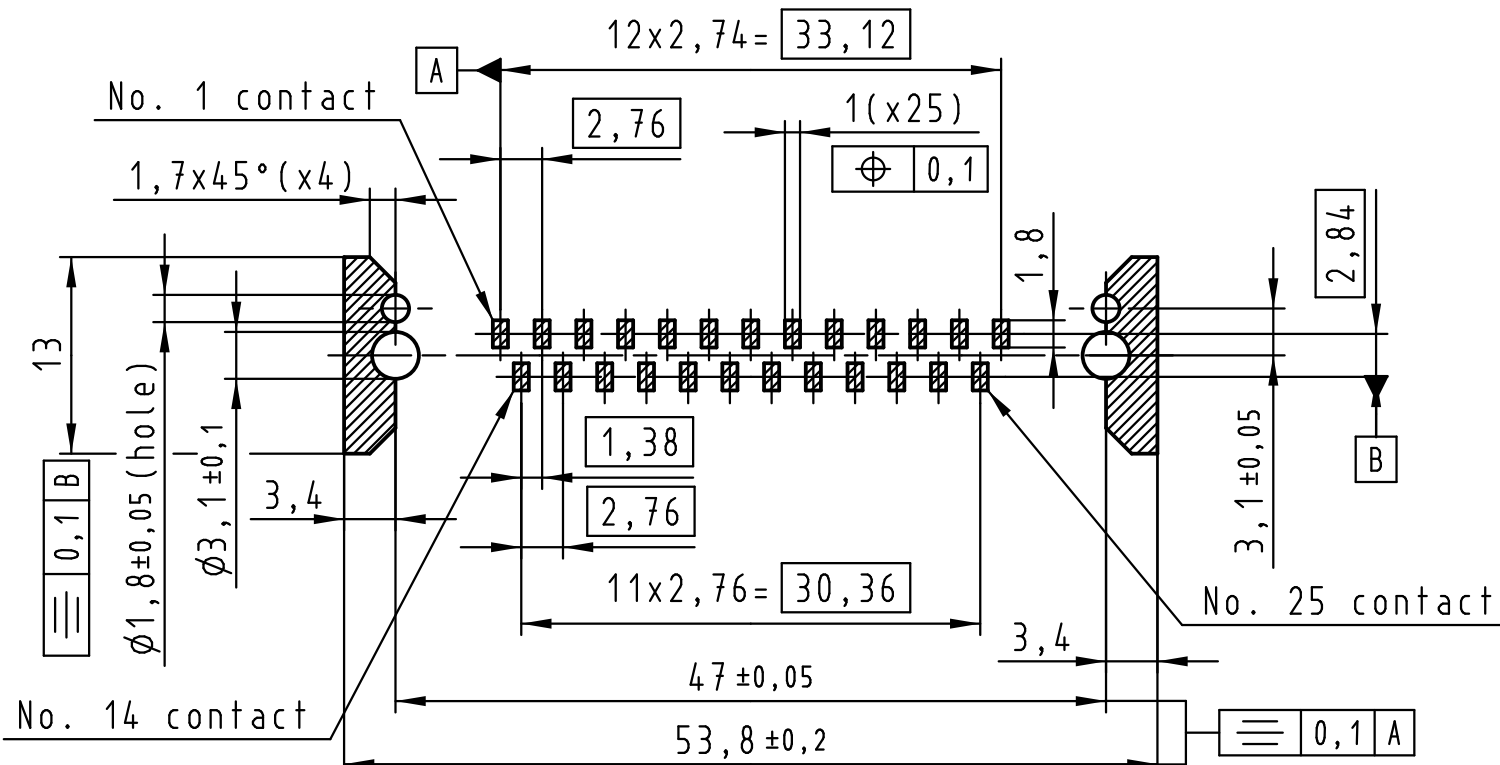
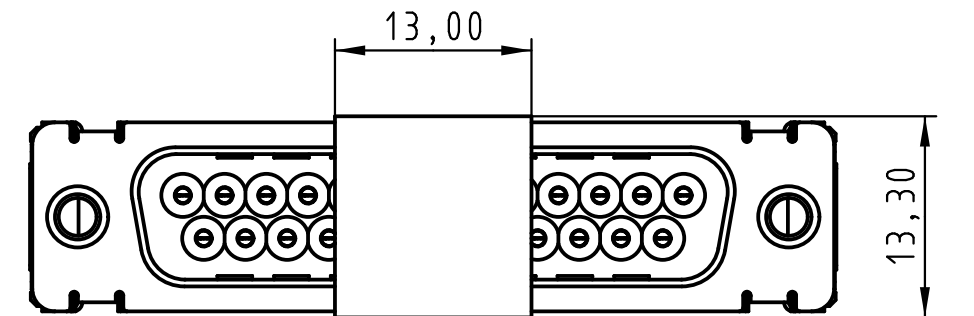
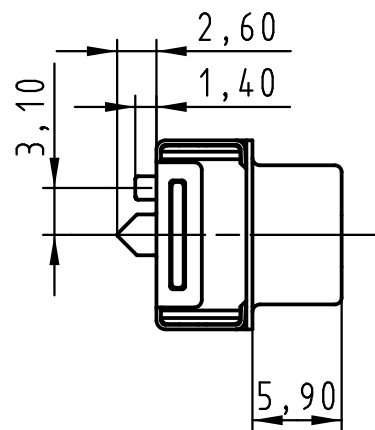
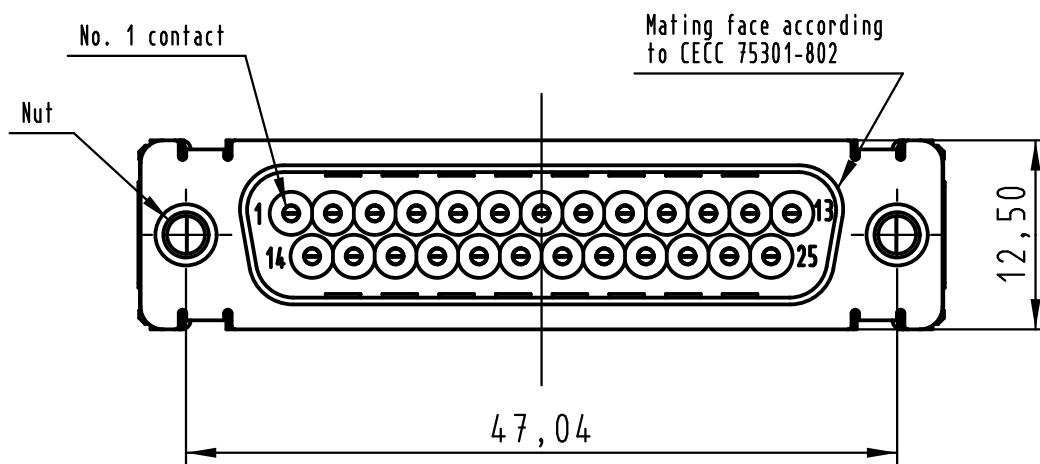
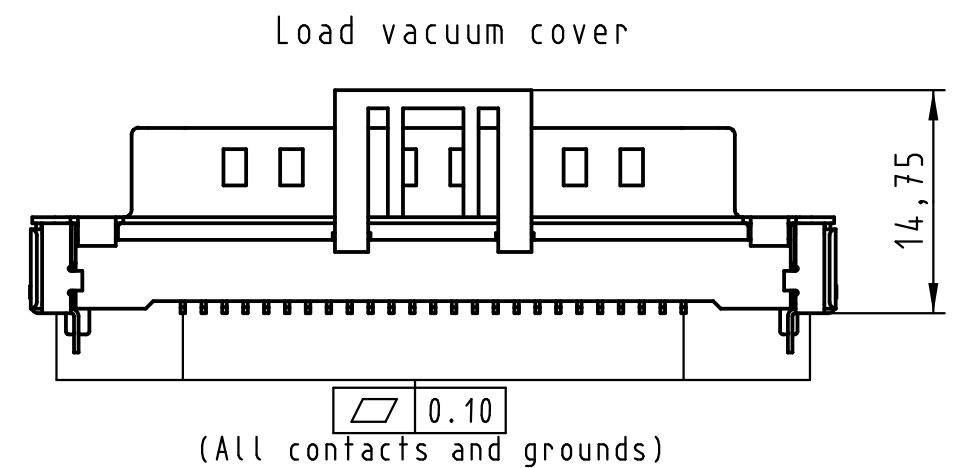
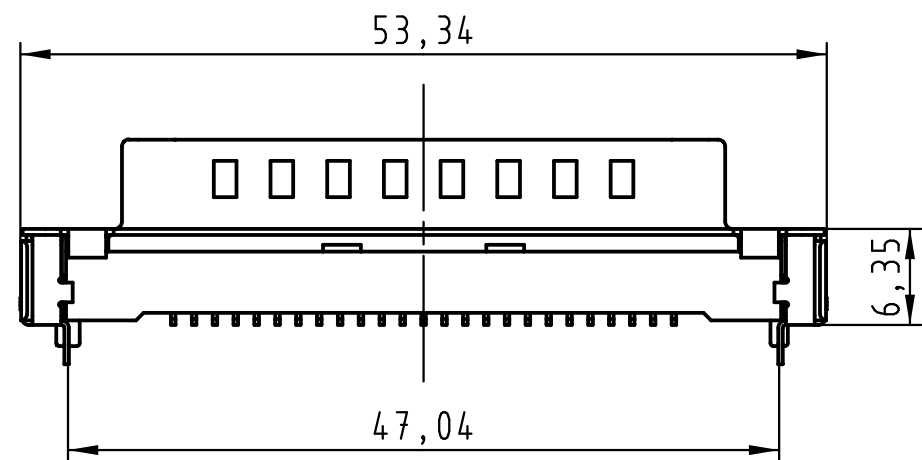


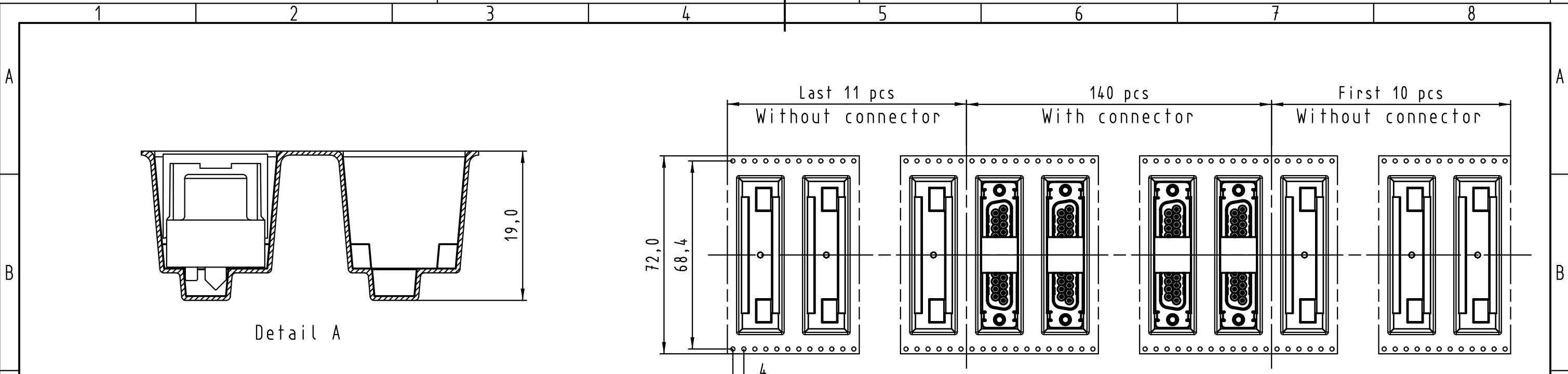
All rights reserved



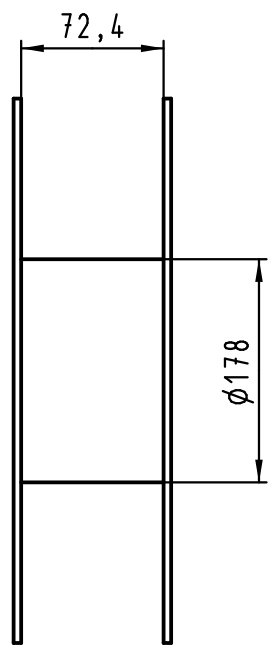
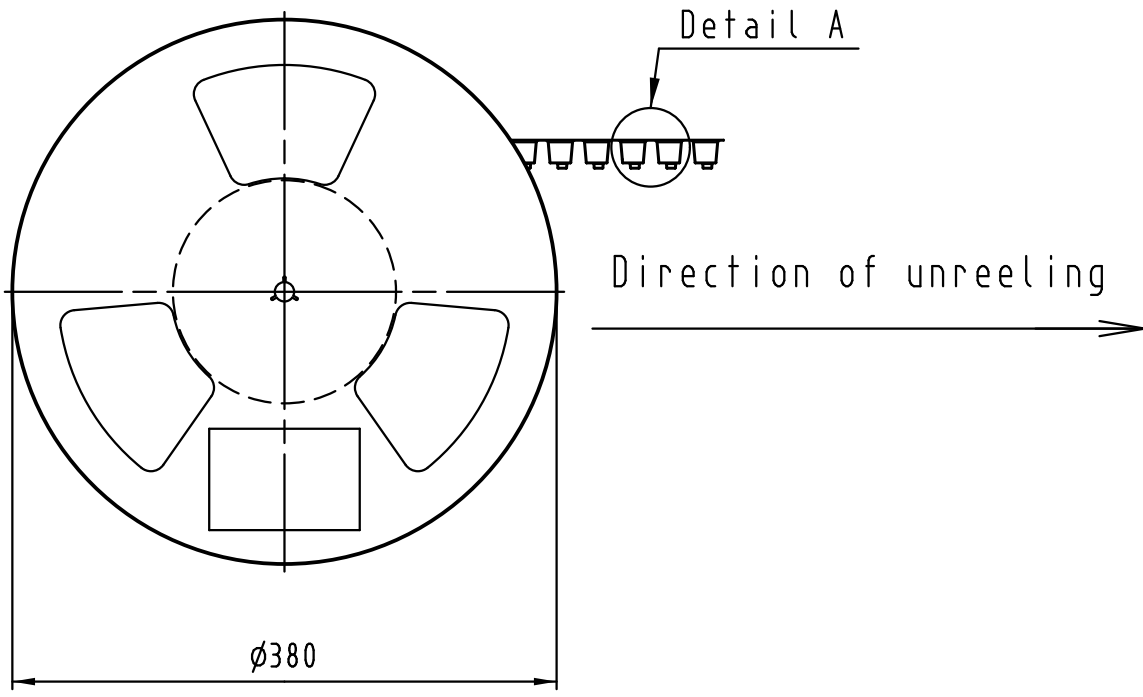
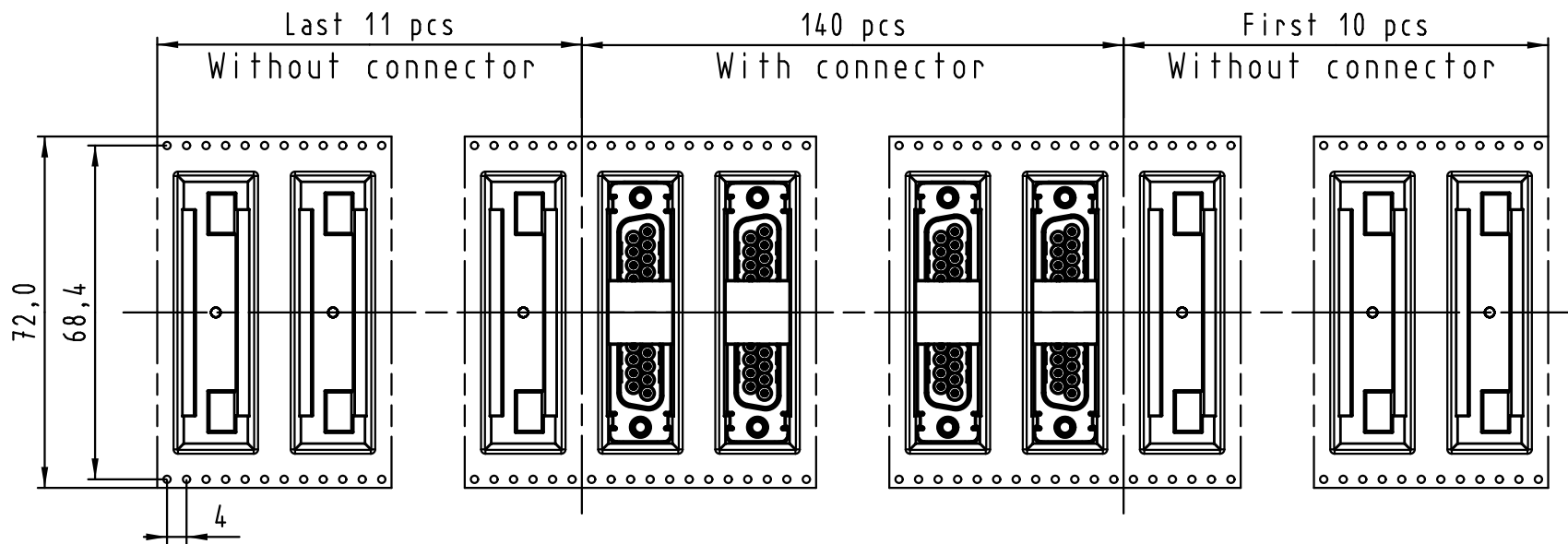
Max. Temperature: 260° during 10 seconds.

0955 369 3811 741	1	M3	Black insulator	Reel Packaging: 140 connectors (See details on page 2/2)
0955 369 3812 741	1	4-40 UNC		
0955 369 6811 741	2	M3		
0955 369 6812 741	2	4-40 UNC		
0955 369 7811 741	3	M3		
0955 369 7812 741	3	4-40 UNC		

Part number	PL	Nut	Index designation	
All Dimensions in mm Original Size DIN A 3			Free size tolerances	
Techn. Character.			Scale 2:1	
Detail: 25-Oct-11 Johnson.S Insp: 17-Nov-11 Steven.W Stand: 17-Nov-11 Steven.W			D-Sub SMT, 25 poles Male, Straight with nuts and ground pins	
EC04070	17-Nov-11	Johnson.S	Zhuhai HARTING Limited	
Mod.	Dat.	Name	TB 09 55 369 x81x	Page 1/2



Detail A



See TB 09 55 369 x81x folio 1/2 for connector dimensions and PCB layout

Packaging in accordance with EIA 481-2.

All rights reserved

0955 369 3811 741	1	M3	Black insulator	Reel Packaging: 140 connectors
0955 369 3812 741	1	4-40 UNC		
0955 369 6811 741	2	M3		
0955 369 6812 741	2	4-40 UNC		
0955 369 7811 741	3	M3		
0955 369 7812 741	3	4-40 UNC		
Part number	PL	Nut	Index designation	

All Dimensions in mm Original Size DIN A 3			Techn. Character.			Free size tolerances		
			Dat.		Name	Scale		
			Detail. 25-Oct-11		Johnson.S	D-Sub SMT, 25 poles Male, Straight with nuts and ground pins		
			Insp. 17-Nov-11		Steven.W			
			Stand. 17-Nov-11		Steven.W			
EC04070			17-Nov-11		Johnson.S	Zhuhai HARTING Limited		
Mod.			Dat.		Name	TB 09 55 369 x81x		
						Sub.		