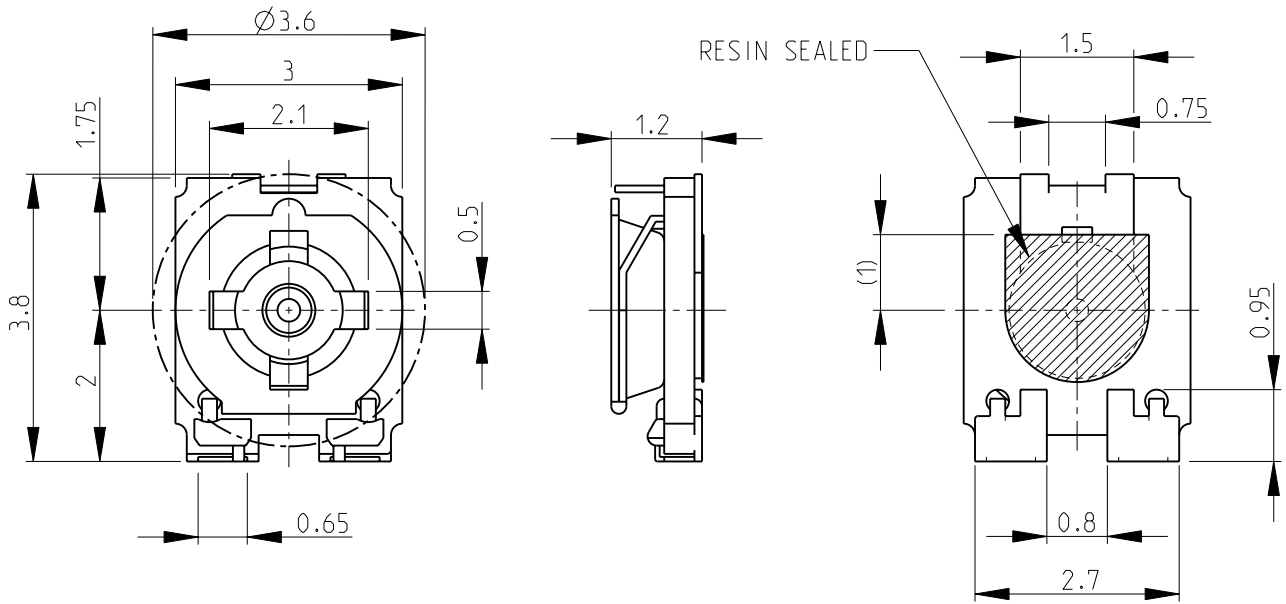
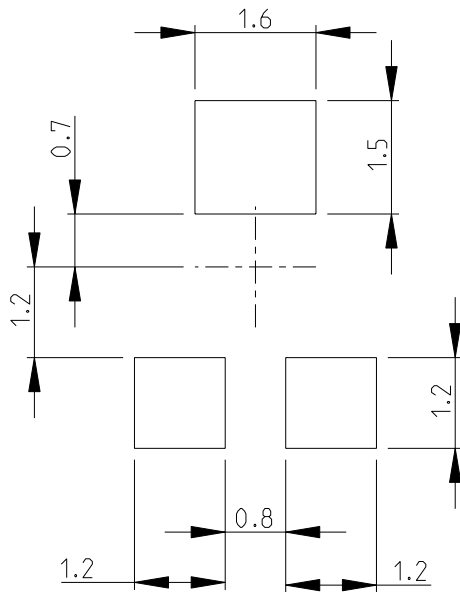


| | | | | | | | |
|-----|------|-----------|-----|-------------|-----------|-----|------|
| LOC | DIST | REVISIONS | | | | | |
| E | B | P | LTR | DESCRIPTION | DATE | DWN | APVD |
| | | | BA | NEW RELEASE | 06-AUG-08 | SM | St.P |

WIPER ROTATING AREA

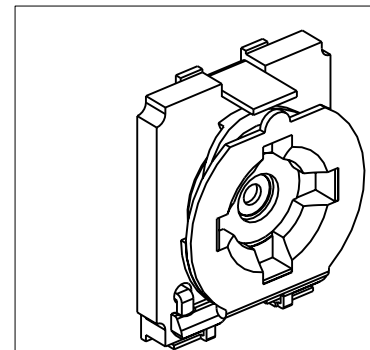


RECOMMENDED LAND PATTERN



FOR FURTHER INFORMATION SEE DATA SHEET FOR
3135 SERIES-SMD ECONOMY TRIMMERS

RoHS Compliant



2008

RELEASED FOR PUBLICATION

THIS DRAWING IS UNPUBLISHED.

BY TYCO ELECTRONICS CORPORATION. ALL RIGHTS RESERVED.

© COPYRIGHT 2008

| | | | | | | | | | | |
|--|------------------|-----------|--|-----------|-------------|---------------|-------|--------|-----|----|
| DIMENSIONS: | DWN | 06-AUG-08 | MATERIAL | FINISH | | | | | | |
| mm | SUBHASH.M | | - | - | | | | | | |
| TOLERANCES UNLESS OTHERWISE SPECIFIED: | CHK | 06-AUG-08 | Tyco Electronics Corporation Dorcan, Swindon, SN3 5HH | | | | | | | |
| 0 PLC ±0.2 | PRAKASH.S | | | | | | | | | |
| 1 PLC ±0.1 | APVD | 06-AUG-08 | NAME SMD ECONOMY TRIMMERS SERIES 3135 | | | | | | | |
| 2 PLC ±- | STEPHEN.P | | | | | | | | | |
| 3 PLC ±- | PRODUCT SPEC | | SIZE | CAGE CODE | DRAWING NO | RESTRICTED TO | | | | |
| 4 PLC ±- | APPLICATION SPEC | | A 4 | 00779 | © = 1623919 | - | | | | |
| ANGLES ±5° | WEIGHT | | CUSTOMER DRAWING | | SCALE | 10:1 | SHEET | 1 OF 1 | REV | BA |