

RL 90-18/14 N

DC centrifugal compact fan

single inlet



ebm-papst St. Georgen GmbH & Co. KG

Hermann-Papst-Straße 1

D-78112 St. Georgen

Phone +49 7724 81-0

Fax +49 7724 81-1309

info2@de.ebmpapst.com

www.ebmpapst.com

Nominal data

Type	RL 90-18/14 N	
Nominal voltage	VDC	24
Nominal voltage range	VDC	12 .. 28
Speed	min ⁻¹	2500
Power input	W	5.0
Min. ambient temperature	°C	-30
Max. ambient temperature	°C	75
Air flow	m ³ /h	40
Sound power level	B	5.8

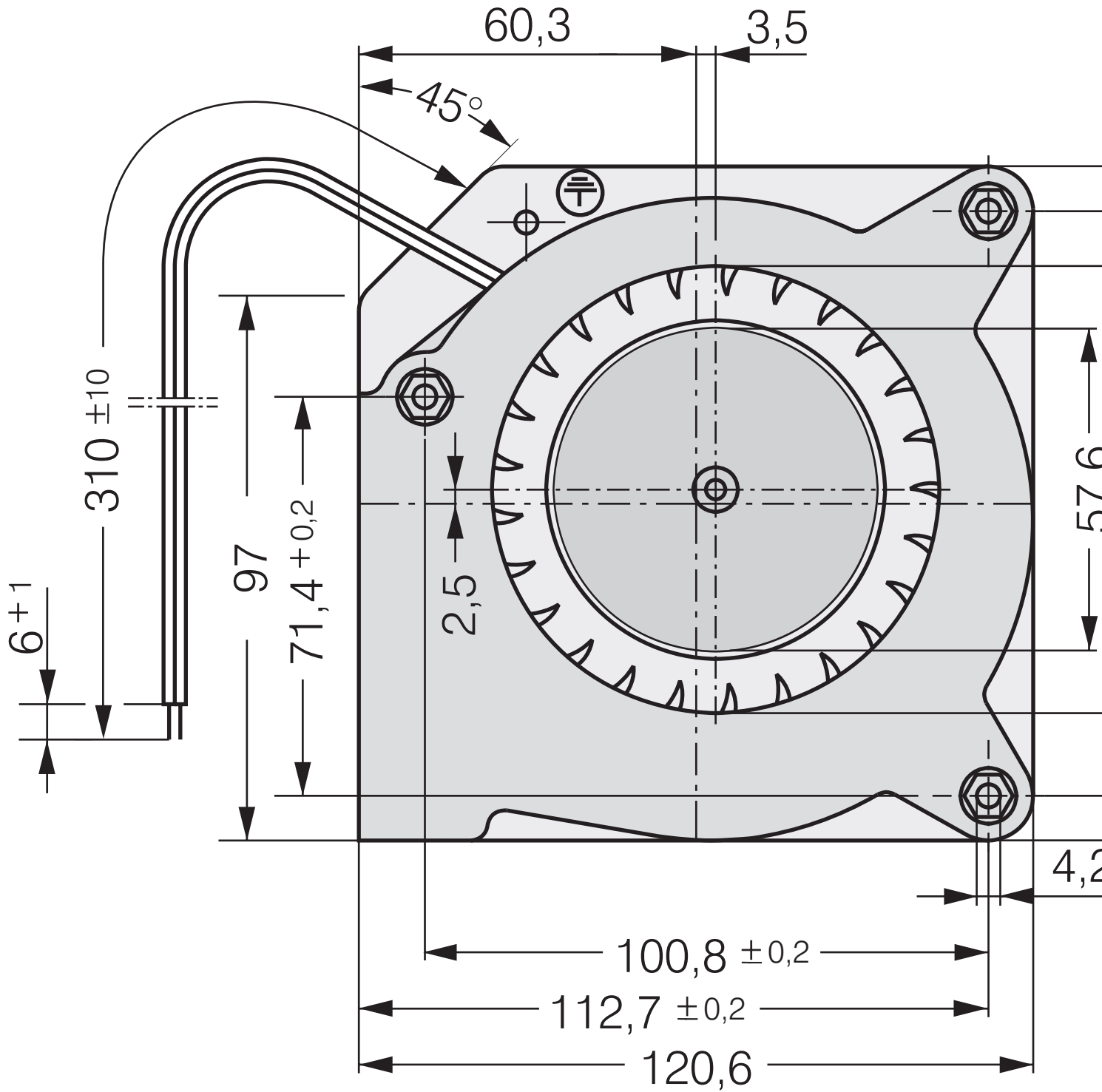
ml = max. load · me = max. efficiency · rfa = running at free air · cs = customer specs · cu = customer unit
Subject to alterations



Technical features

Dimensions	121 x 121 x 37 mm
General description	<p>Particular design features:</p> <p>Optional Vario-Pro: Highly flexible software configuration for the fan ensures an easily customisable solution to meet the individual requirements of your application.</p> <p>Forward-curved impeller.</p> <p>General features:</p> <p>Scroll housing and impeller made of fibreglass-reinforced plastic; housing base made of sheet steel.</p> <p>Electronic commutation completely integrated.</p> <p>Protected against reverse polarity and locking.</p> <p>Direction of air flow: axial air intake, centrifugal air exhaust out of the outlet.</p> <p>Connection via single strands AWG 22, TR 64, bared and tin-plated.</p> <p>Mass: 420 g.</p>
Connection line	Single strands AWG 22, TR 64, bared and tin-plated.
Locked-rotor protection	Blocking and overload protection
Direction of air flow	Centrifugal, air exhaust out of housing window
Bearing	Ball bearings
Lifetime L10 at 40 °C	62500 h
Lifetime L10 at maximum temperature	27500 h
Mass	0.420 kg
Housing material	Scroll housing of fibreglass-reinforced plastic, housing base of sheet steel.
Material of impeller	Fibreglass-reinforced plastic
Motor protection	Protected against reverse polarity and locking.
Approval	VDE, CSA, UL, CE

Product drawing



*Federmutter M4 oder 8-32UNC. Ein

*Speed nut M4 or 8-32UNC. Screw-i

Charts: Air flow

