

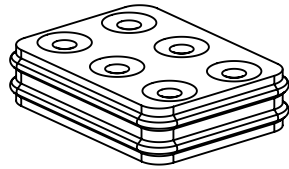
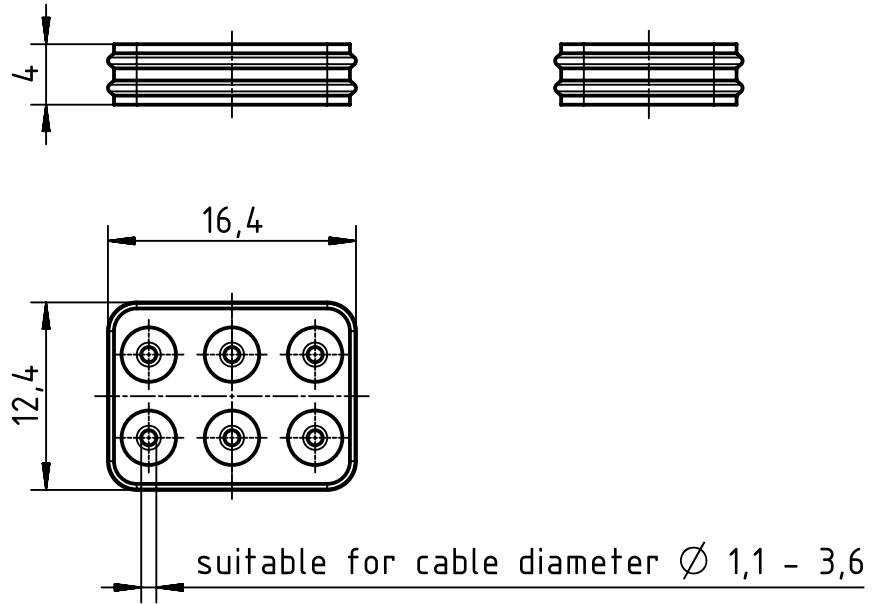
1 2 3 4 5 6


A

B

C

D



	All rights reserved Department EL PD	All Dimensions in mm Original Size DIN A4		Scale 2:1	Free size tol.		Ref. Sub.			
		HARTING Electric GmbH & Co. KG D-32339 Espelkamp	Created by HOLLERT	Inspected by HERBRECHTSME	Standardisation RUETERA	Date 2019-02-18	State Final Release		Doc-Key / ECM-Nr. 100810782/UGD/001/A 500000147061	
				Title Han 1A-single wire sealing-06-c	Type TB		Number 09 10 006 9900		Rev. A	Page 1/1

# Mouser Electronics

Authorized Distributor

Click to View Pricing, Inventory, Delivery & Lifecycle Information:

[HARTING:](#)

[09100069900](#)