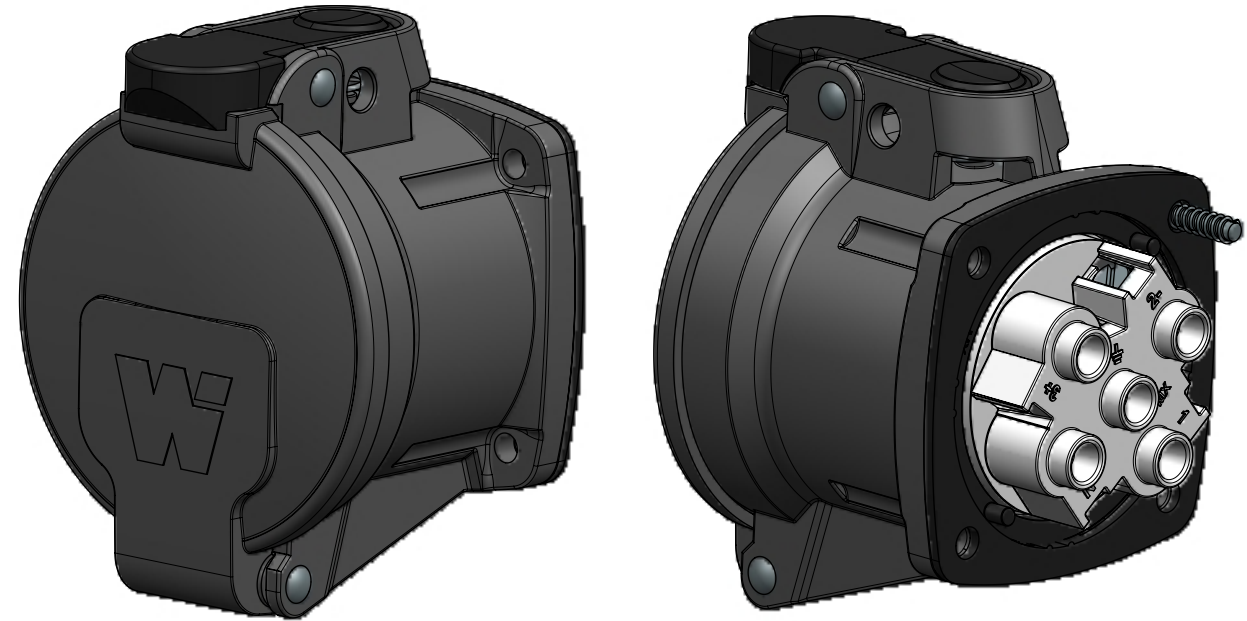
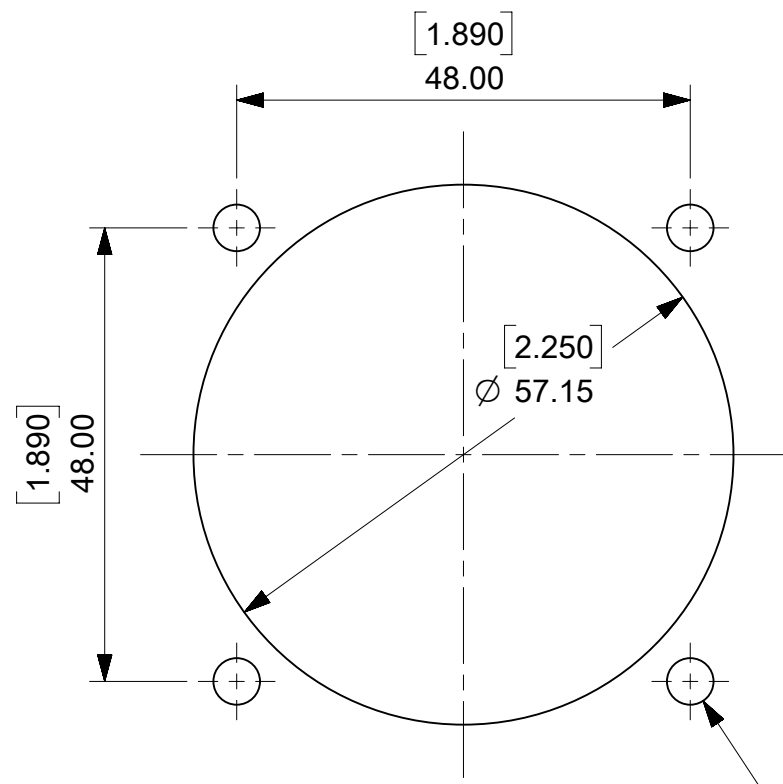


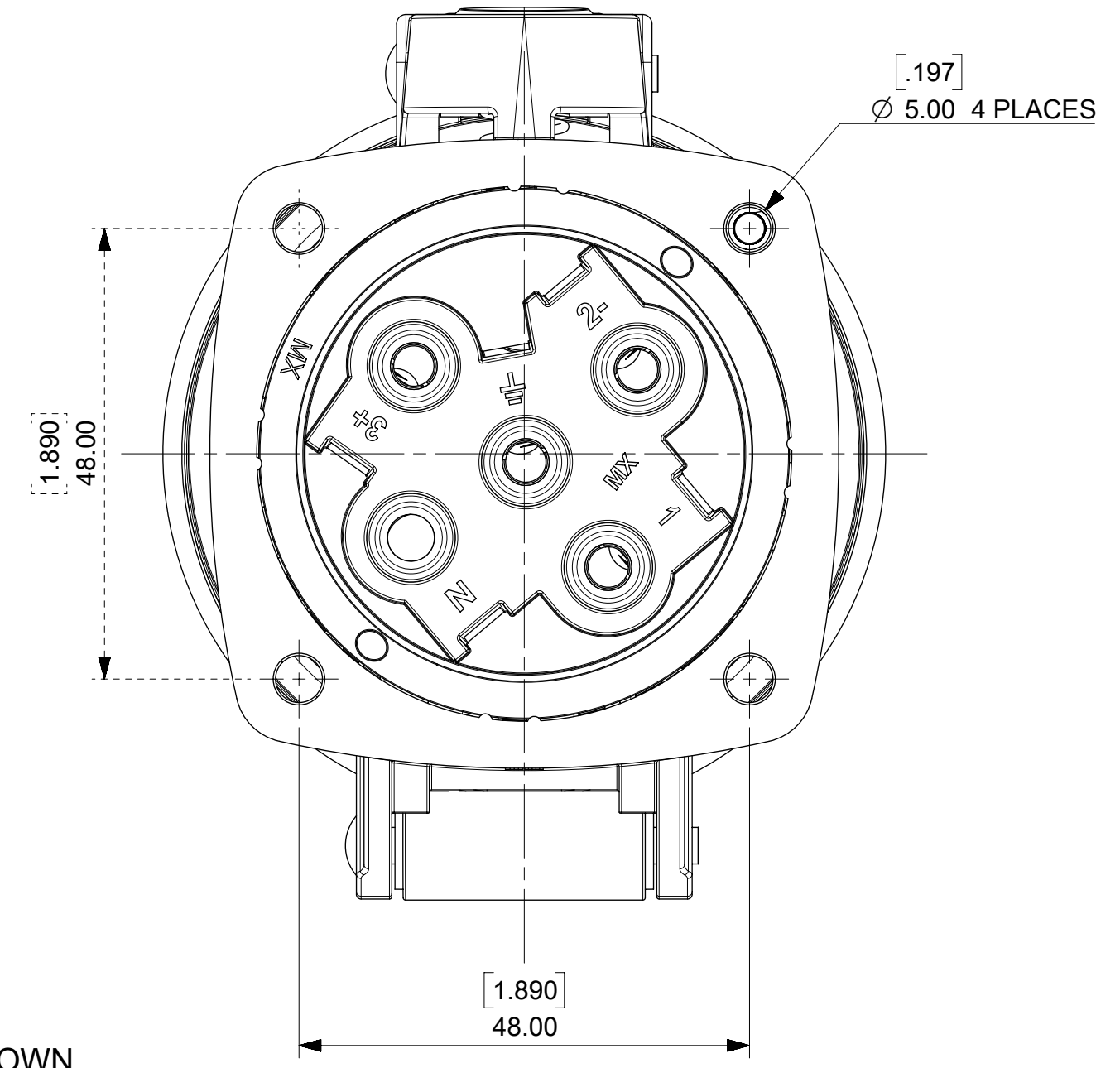
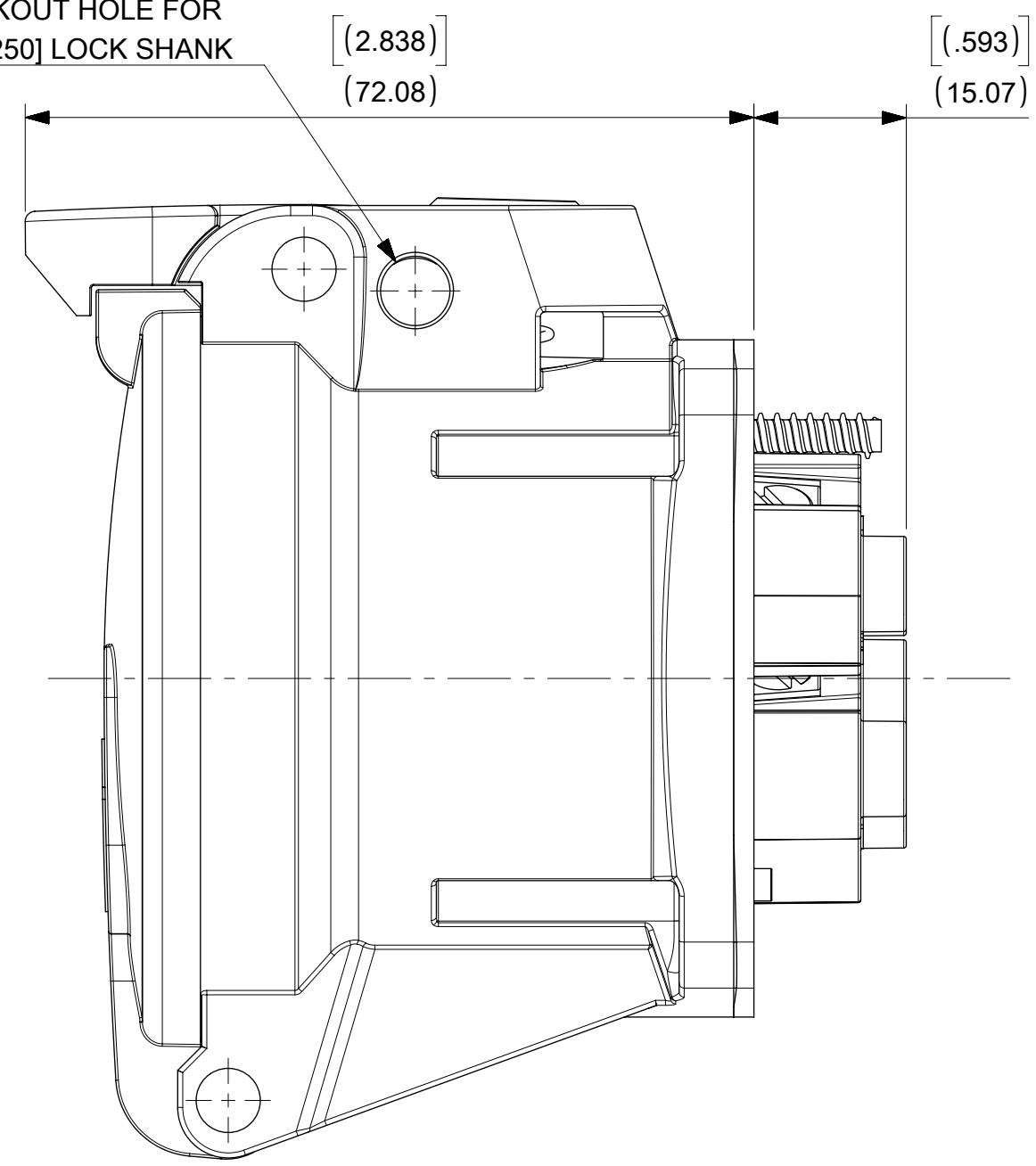
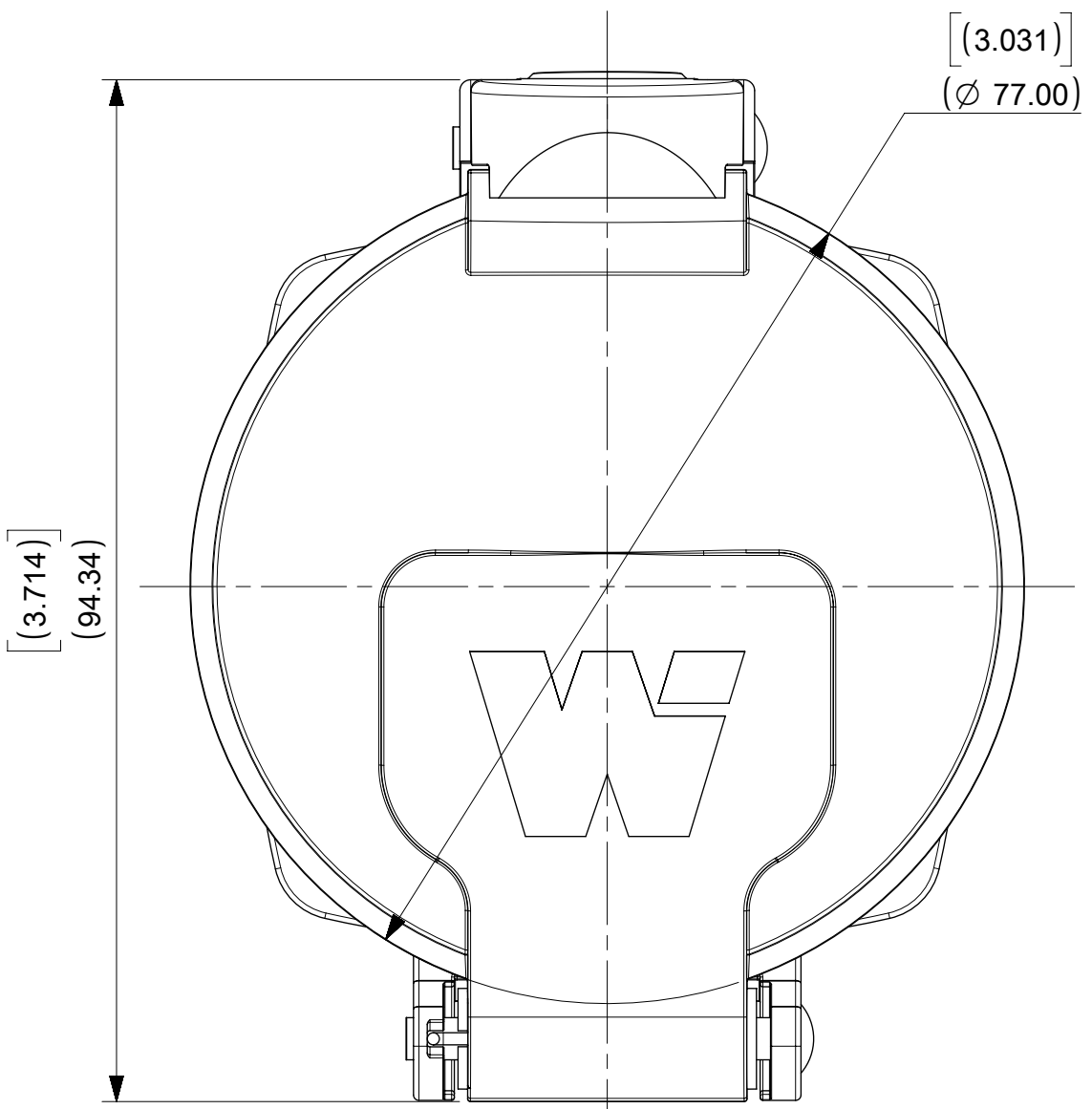
MATERIAL NUMBER	ENGINEERING NUMBER	DESCRIPTION	INSULATOR KEYING POSITION	HORSEPOWER RATING
1122190001	ARC30FA01	ARC 30A F 125VAC 1P+N+G	7	1 HP
1122190002	ARC30FB02	ARC 30A F 250VAC 2P+G		3 HP
1122190003	ARC30FB03	ARC 30A F 250VAC 3P+G		5 HP
1122190004	ARC30FAB04	ARC 30A F 125/250VAC 2P+N+G	16	NA
1122190005	ARC30FC02	ARC 30A F 208VAC 2P+G		NA
1122190006	ARC30FC03	ARC 30A F 208VAC 3P+G		5 HP
1122190007	ARC30FAC05	ARC 30A F 120/208VAC 3P+N+G	4	NA
1122190008	ARC30FD01	ARC 30A F 277VAC 1P+N+G		NA
1122190009	ARC30FE02	ARC 30A F 480VAC 2P+G		NA
1122190010	ARC30FE03	ARC 30A F 480VAC 3P+G	14	10 HP
1122190011	ARC30FDE05	ARC 30A F 277/480VAC 3P+N+G		NA
1122190012	ARC30FF02	ARC 30A F 600VAC 2P+G		NA
1122190013	ARC30FF03	ARC 30A F 600VAC 3P+G	14	NA
1122190014	ARC30FGF05	ARC 30A F 347/600VAC 3P+N+G		NA



[.270]  $\varnothing$  6.86 LOCKOUT HOLE FOR  
 $\varnothing$  6.35MM [0.250] LOCK SHANK

[2.838] (72.08)

[.593] (15.07)



ARC30FE03 SHOWN

NOTES:

MATERIALS:  
HOUSINGS AND INSULATORS: GLASS FILLED PBT  
CONTACTS: COPPER ALLOY WITH A SILVER NICKEL TIP, SILVER PLATED  
MOUNTING AND INTERFACE GASKETS: SILICONE

RATINGS:  
CURRENT: 30 AMPS  
VOLTAGE AND HORSEPOWER: SEE TABLE  
OPERATING TEMPERATURE: -40°C (-40°F) TO 60°C (140°F)  
ENVIRONMENTAL: TYPE 4X, IP69K  
WIRING CAPACITY: 12 AWG MIN. TO 8 AWG MAX.  
TORQUE TERMINAL SCREWS TO 1.7 N-M (15 in/lbs)  
AGENCY: UL LISTING PENDING

SWITCH RATED RECEPTACLE/CONNECTOR  
BRANCH CIRCUIT DISCONNECT SWITCH  
MOTOR CIRCUIT DISCONNECT SWITCH IF HP RATED

THIS DRAWING REPLACES SD-112219-001.

SYMBOLS		THIS DRAWING CONTAINS INFORMATION THAT IS PROPRIETARY TO MOLEX ELECTRONIC TECHNOLOGIES, LLC AND SHOULD NOT BE USED WITHOUT WRITTEN PERMISSION		CURRENT REV DESC: ADDED 10HP,NEW				
DIMENSION UNITS	SCALE	NOTES						
$\nabla$ = 0	INCH 1.5:1	GENERAL TOLERANCES (UNLESS SPECIFIED)						
$\nabla$ = 0						MM	INCH	EC NO: 604773
$\nabla$ = 0								DRWN: MJANTELEZIO 2018/09/20
$\nabla$ = 0		4 PLACES	±	±	CHK'D: JFMURPHY 2018/11/05			
$\nabla$ = 0		3 PLACES	±	±	APPR: JFMURPHY 2018/11/05			
$\nabla$ = 0		2 PLACES	±	±	INITIAL REVISION:			
$\nabla$ = 0		1 PLACE	±	±	DRWN: DRWN BY XXXX/XX/XX			
$\nabla$ = 0		0 PLACES	±	±	APPR: APPR BY XXXX/XX/XX			
$\nabla$ = 0		ANGULAR TOL	±	°	THIRD ANGLE PROJECTION			
$\nabla$ = 0		DRAFT WHERE APPLICABLE MUST REMAIN WITHIN DIMENSIONS			DRAWING C-SIZE 112219			



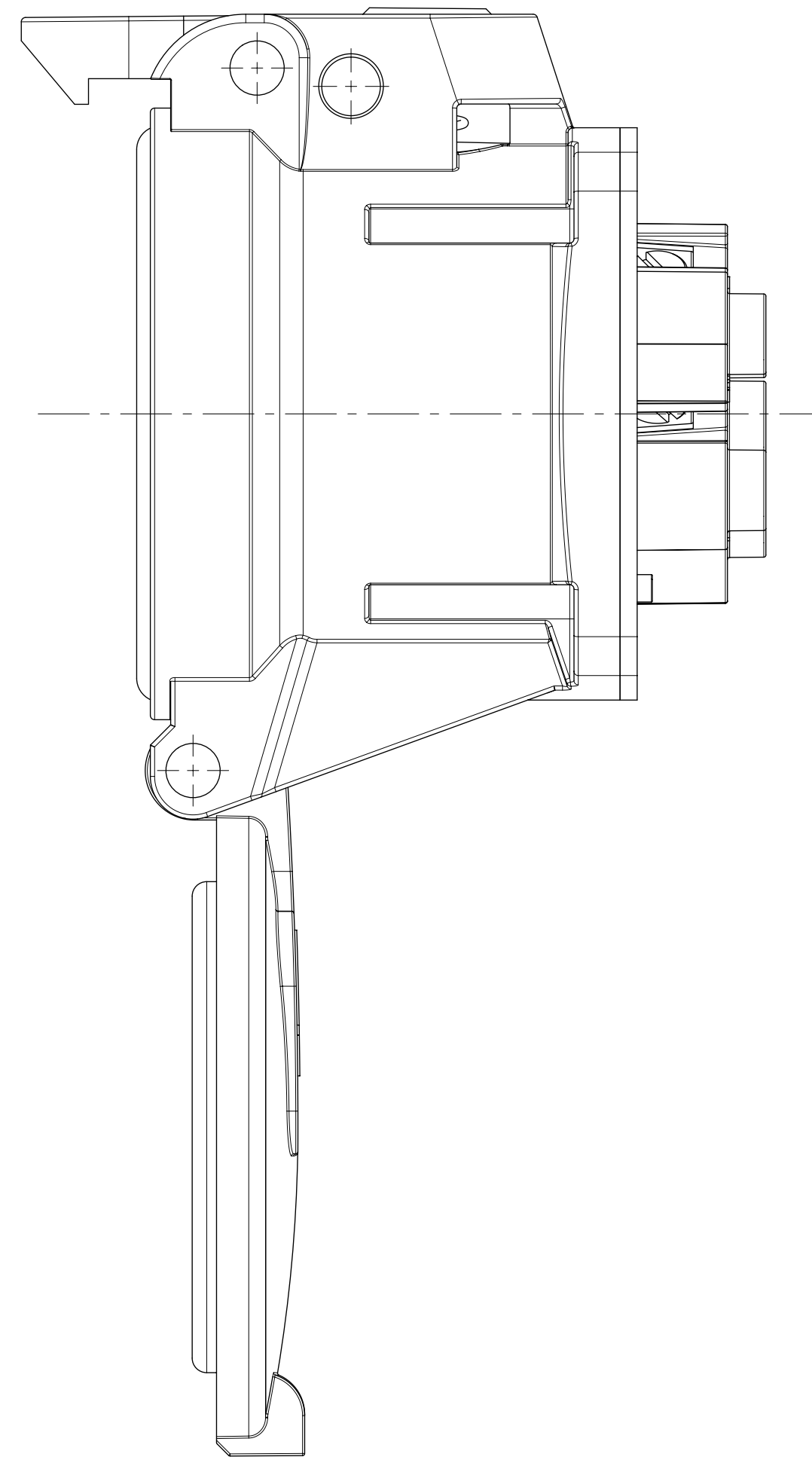
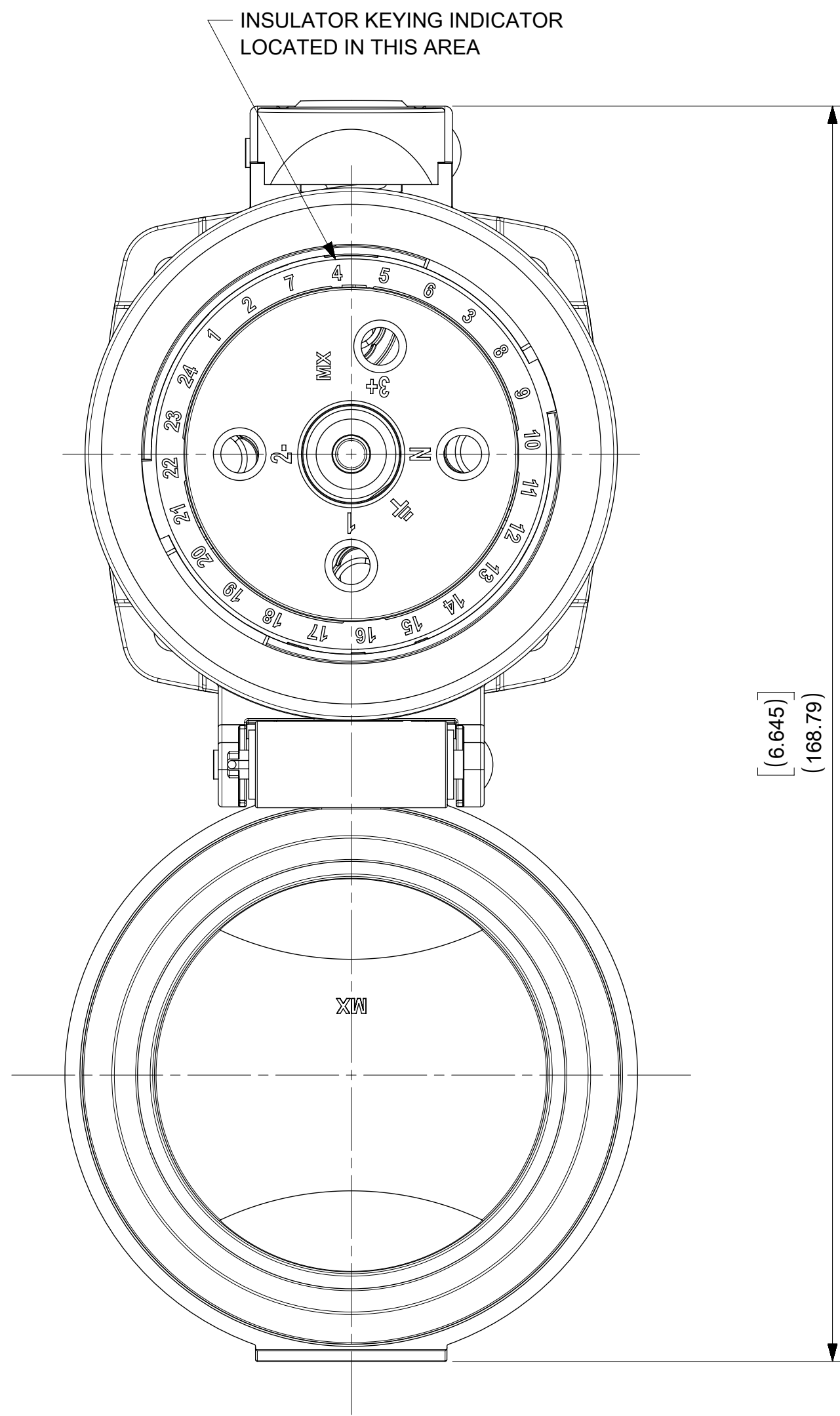
ARC 30A F 480VAC 3P+G

PRODUCT CUSTOMER DRAWING

DOCUMENT NUMBER: 1122190010  
DOC TYPE: PSD  
DOC PART: 000  
REVISION: B3

MATERIAL NUMBER: GENERAL MARKET  
CUSTOMER: GENERAL MARKET  
SHEET NUMBER: 1 OF 2

DOCUMENT STATUS	P1	RELEASE DATE	2018/11/05 17:31:23
-----------------	----	--------------	---------------------



ARC30FE03 SHOWN

<b>SYMBOLS</b> DIMENSION UNITS SCALE CURRENT REV DESC: ADDED 10HP,NEW NOTES EC NO: 604773 DRWN: MJANTELEZIO 2018/09/20 CHK'D: JFMURPHY 2018/11/05 APPR: JFMURPHY 2018/11/05 INITIAL REVISION: DRWN: DRWN BY XXXX/XX/XX APPR: APPR BY XXXX/XX/XX THIRD ANGLE PROJECTION DRAFT WHERE APPLICABLE MUST REMAIN WITHIN DIMENSIONS WITHIN DIMENSIONS	THIS DRAWING CONTAINS INFORMATION THAT IS PROPRIETARY TO MOLEX ELECTRONIC TECHNOLOGIES, LLC AND SHOULD NOT BE USED WITHOUT WRITTEN PERMISSION	<b>molex</b>																					
	INCH 1.5:1	ARC 30A F 480VAC 3P+G																					
	GENERAL TOLERANCES (UNLESS SPECIFIED)	PRODUCT CUSTOMER DRAWING																					
	<table border="1"> <tr> <th></th> <th>MM</th> <th>INCH</th> </tr> <tr> <td>4 PLACES</td> <td>±</td> <td>±</td> </tr> <tr> <td>3 PLACES</td> <td>±</td> <td>±</td> </tr> <tr> <td>2 PLACES</td> <td>±</td> <td>±</td> </tr> <tr> <td>1 PLACE</td> <td>±</td> <td>±</td> </tr> <tr> <td>0 PLACES</td> <td>±</td> <td>±</td> </tr> </table>		MM	INCH	4 PLACES	±	±	3 PLACES	±	±	2 PLACES	±	±	1 PLACE	±	±	0 PLACES	±	±	DOCUMENT NUMBER <b>1122190010</b>	DOC TYPE <b>PSD</b>	DOC PART <b>000</b>	REVISION <b>B3</b>
		MM	INCH																				
	4 PLACES	±	±																				
	3 PLACES	±	±																				
	2 PLACES	±	±																				
	1 PLACE	±	±																				
	0 PLACES	±	±																				
ANGULAR TOL ± °	MATERIAL NUMBER GENERAL MARKET	CUSTOMER GENERAL MARKET	SHEET NUMBER 2 OF 2																				
DRAFT WHERE APPLICABLE MUST REMAIN WITHIN DIMENSIONS	C-SIZE	SERIES <b>112219</b>																					
WITHIN DIMENSIONS																							
WITHIN DIMENSIONS																							
WITHIN DIMENSIONS																							

**molex**

ARC 30A F 480VAC 3P+G

PRODUCT CUSTOMER DRAWING

1122190010

PSD 000 B3

GENERAL MARKET

2 OF 2