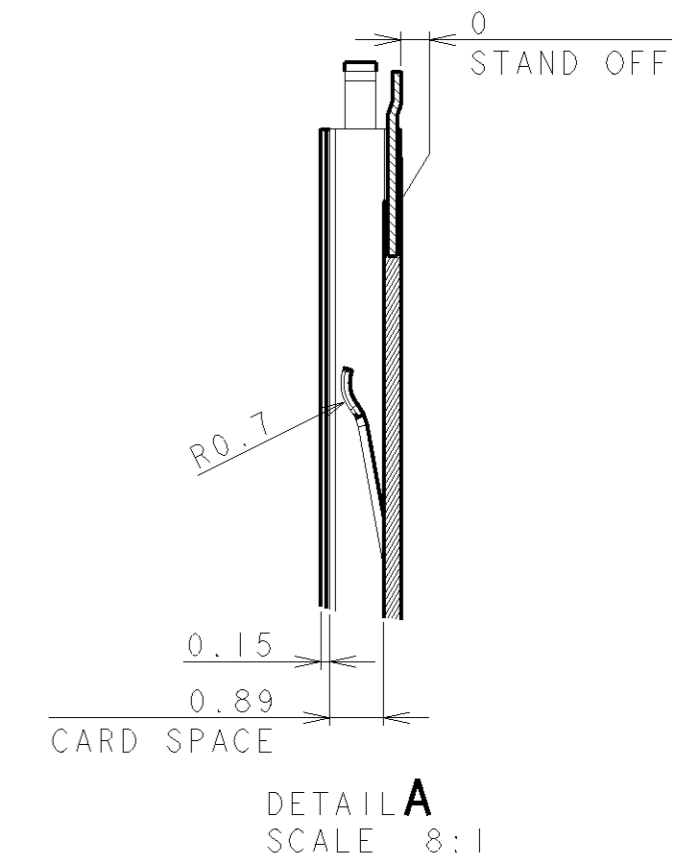
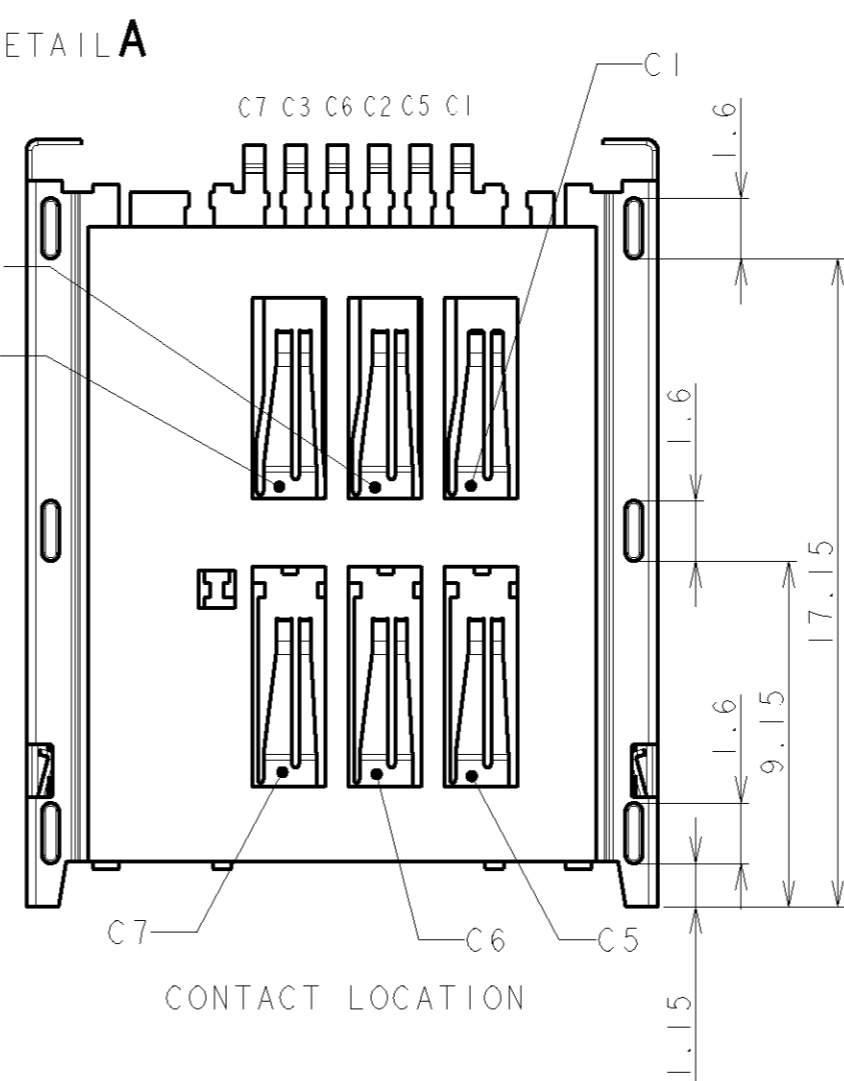
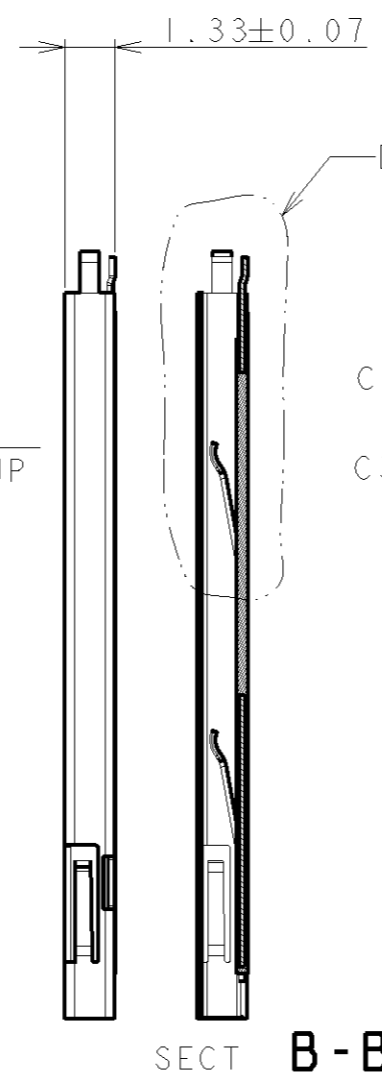
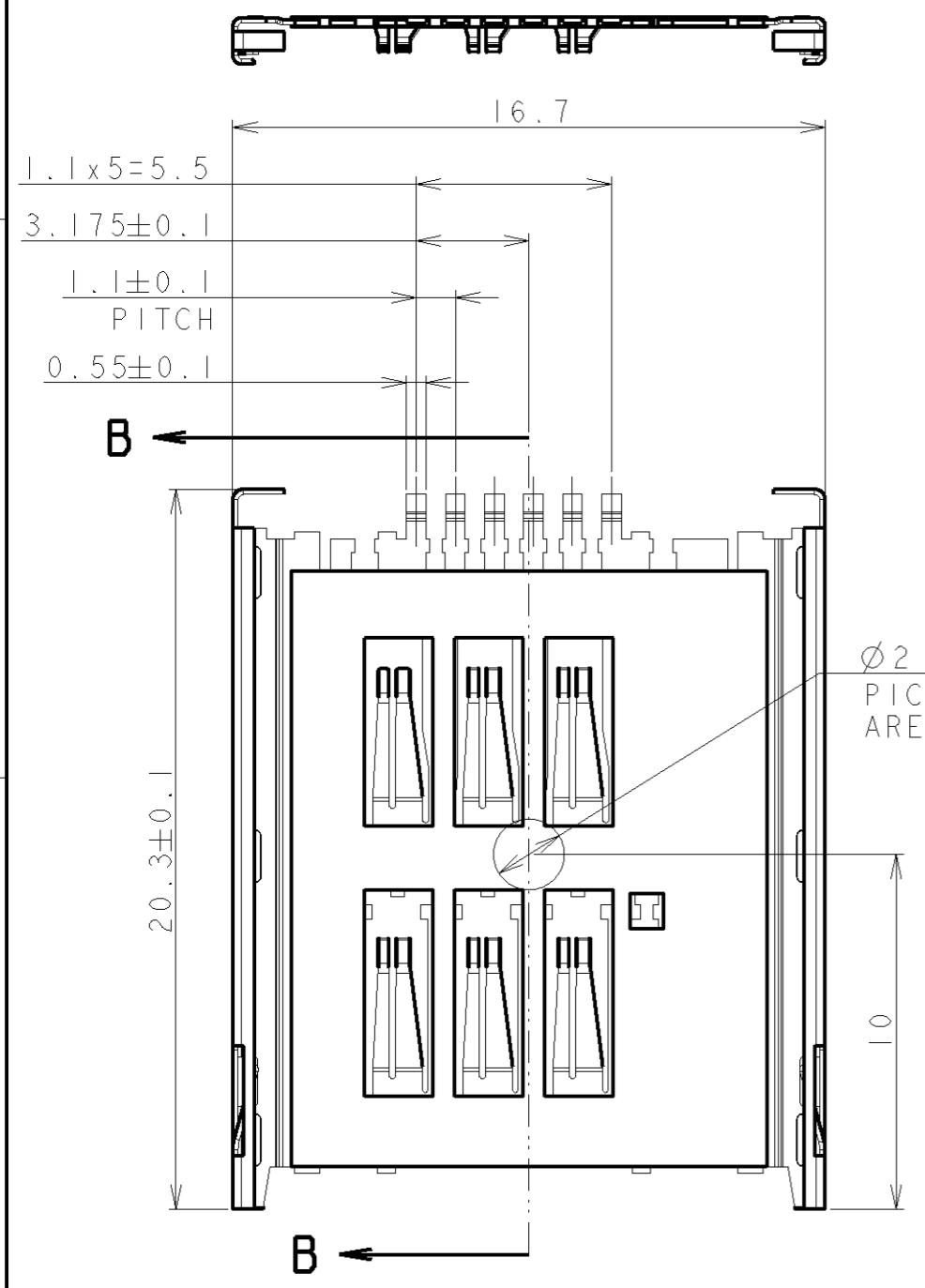


THIS DRAWING IS UNPUBLISHED. RELEASED FOR PUBLICATION 20
 © COPYRIGHT 20 BY TYCO ELECTRONICS CORPORATION. ALL RIGHTS RESERVED.

LOC	DIST	REVISIONS					
		P	LTR	DESCRIPTION	DATE	DWN	APVD
J			A	RELEASED	17JUN2010	C.O	Y.N

本図面に記載された内容はタイコ エレクトロニクス アンプ(株)の所有する情報を開示しております。
 無断で複写・配布する事を禁じます。 特許出願中

AS SHOWN : - 1



△ MATERIAL
 ELEMENT : COPPER ALLOY
 TRAY, GUIDE : STAINLESS
 HOUSING : HIGH TEMPERATURE THERMO PLASTIC
 UL94V-0 BLACK

△ FINISH
 ELEMENT : CONTACT POINT; 0.4umMIN. Au
 SOLDERING TINE SURFACE Au FLASH PLATE,
 ALL OVER NICKEL PLATE 0.13umMIN.
 ADD SEALING

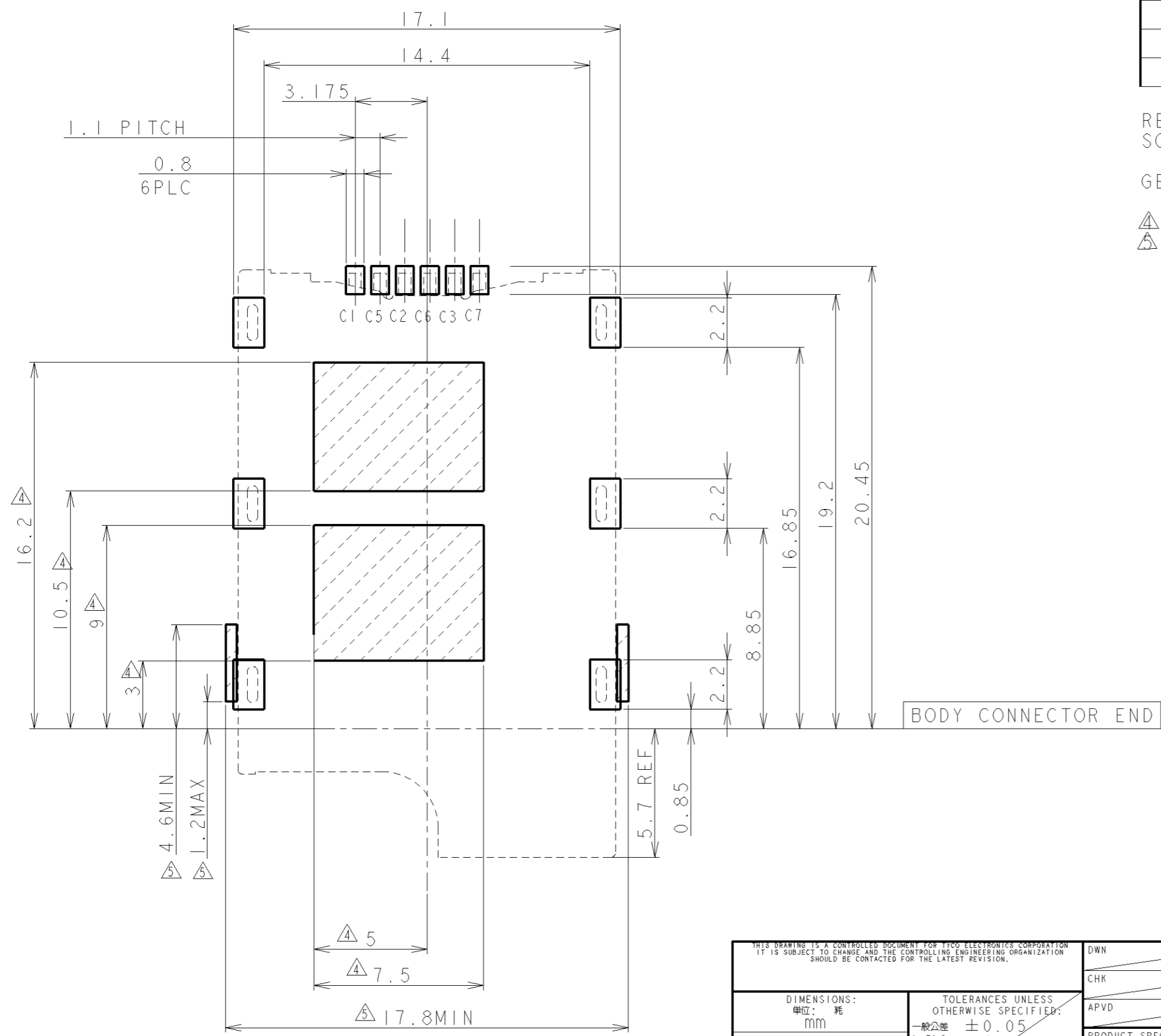
3 COPLANARITY; 0.08MAX.

CAUTION; THERE IS A POSSIBILITY THAT NORMAL FORCE CHANGES ACCORDING TO THE PCB MATERIAL AND THICKNESS, ETC. PLEASE HANDLE IT WITH CARE.
 当コネクタを実装する基板材質・厚さ等によって接圧変動する可能性がありますので、取り扱いに充分な注意をお願い致します。

THIS DRAWING IS A CONTROLLED DOCUMENT FOR TYCO ELECTRONICS CORPORATION IT IS SUBJECT TO CHANGE AND THE CONTROLLING ENGINEERING ORGANIZATION SHOULD BE CONTACTED FOR THE LATEST REVISION.		DWN	17JUN2010	Tyco Electronics Corporation	
		CHK	17JUN2010	Kawasaki, Japan	
		APVD	17JUN2010	NAME	
		PRODUCT SPEC	Y. NAKAZAWA	TS14-RVS	
		APPLICATION SPEC	Y. NAKAZAWA	DOUBLE CONTACT	
		取付適用規格	108-78668	BODY ASSY	
		WEIGHT	0.37g	SIZE	RESTRICTED TO
		CUSTOMER DRAWING		A300779	
				①=2134034	
				SCALE	SHEET
				X:1	OF 4
					REV A

THIS DRAWING IS UNPUBLISHED. RELEASED FOR PUBLICATION 20
 © COPYRIGHT 20 BY TYCO ELECTRONICS CORPORATION. ALL RIGHTS RESERVED.

LOC	DIST	REVISIONS			
J		変更	変更	変更	変更
P	LTR	DESCRIPTION	DATE	DWN	APVD
	-	SEE SHEET 1	-	-	-



REFERENCE PCB LAYOUT
 SCALE 5:1
 GENERAL TOLERANCE; ±0.05

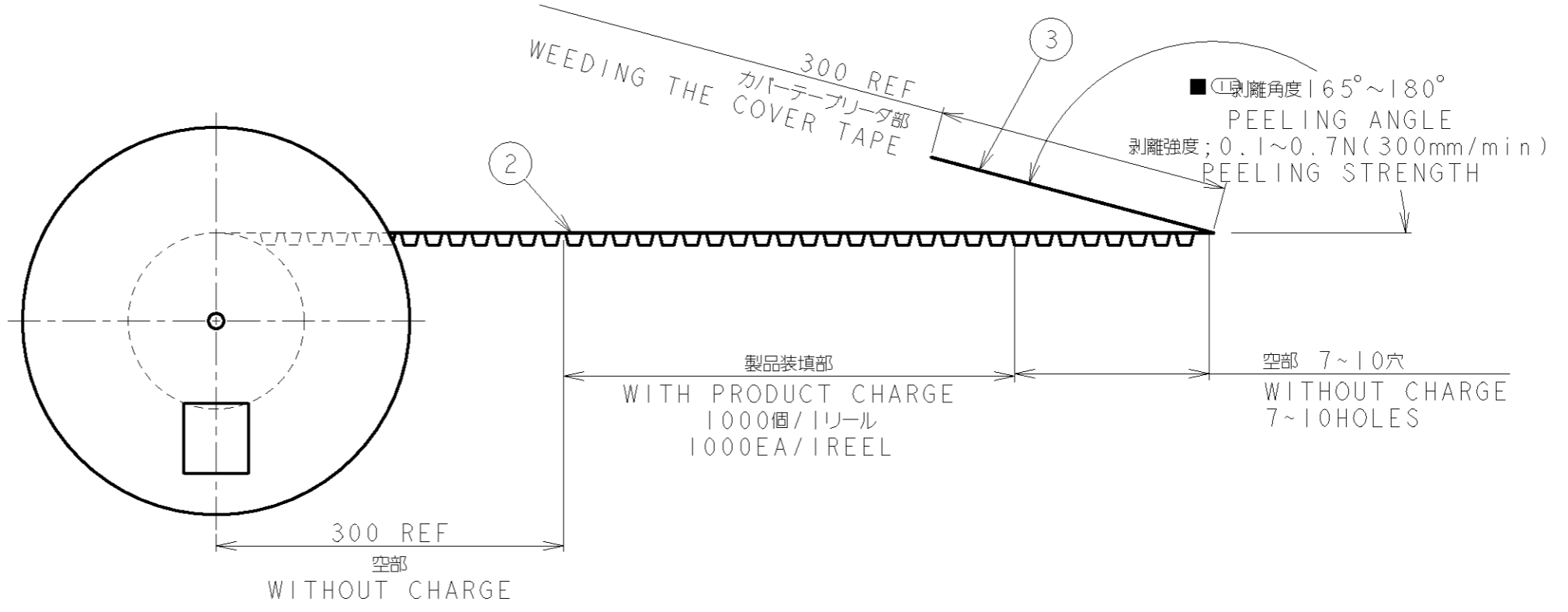
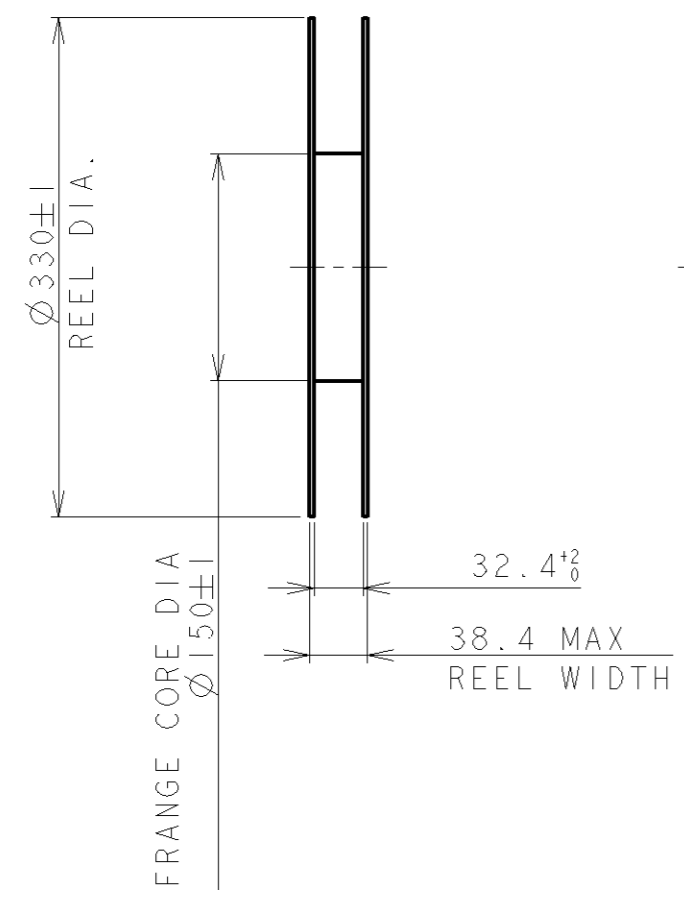
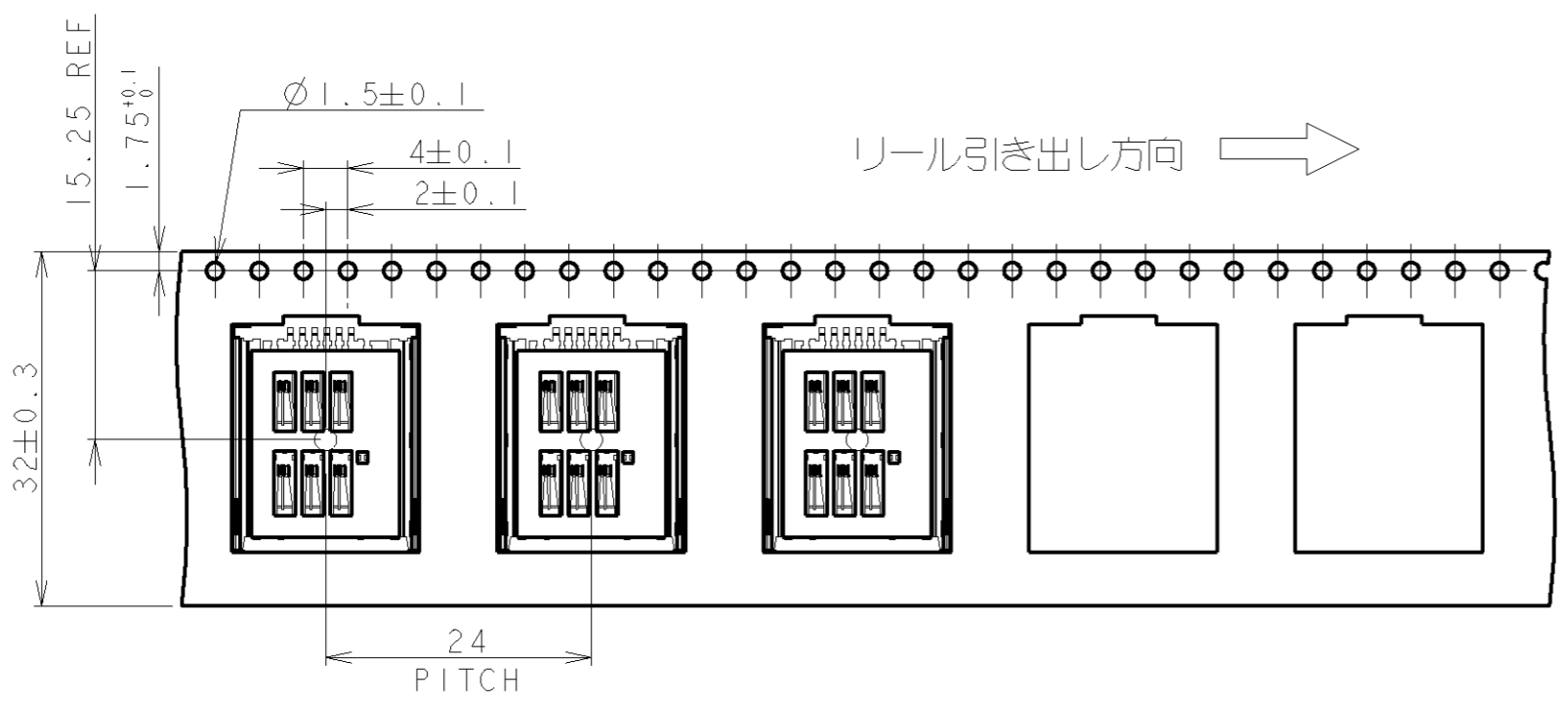
△ HATCHING AREA; FORBIDDEN AREA OF PATTERN
 △ NO PARTS LOCATED IN THIS AREA

本図面に記載された内容はタイコ エレクトロニクス アンプ(株)の所有する情報を開示しております。
 無断で複写・配布する事を禁じます。 特許出願中

THIS DRAWING IS A CONTROLLED DOCUMENT FOR TYCO ELECTRONICS CORPORATION IT IS SUBJECT TO CHANGE AND THE CONTROLLING ENGINEERING ORGANIZATION SHOULD BE CONTACTED FOR THE LATEST REVISION.		DWN	Tyco Electronics Corporation Kawasaki, Japan	
DIMENSIONS: 単位: 概 mm		CHK	NAME 名称	
TOLERANCES UNLESS OTHERWISE SPECIFIED: 一般公差 ±0.05		APVD	TS14-RVS DOUBLE CONTACT BODY ASSY	
0 PLC ±		PRODUCT SPEC 製品規格	SIZE	CAGE CODE
1 PLC ±		APPLICATION SPEC 取付適用規格	A300779	2134034
2 PLC ±		WEIGHT	DRAWING NO 番号	
3 PLC ±		CUSTOMER DRAWING	RESTRICTED TO	
4 PLC ±			-	
ANGLES ±3°			SCALE 尺度 X:1	
FINISH 仕上			SHEET 2 OF 4	
MATERIAL 材料			REV A	

THIS DRAWING IS UNPUBLISHED. RELEASED FOR PUBLICATION 20
 © COPYRIGHT 20 BY TYCO ELECTRONICS CORPORATION. ALL RIGHTS RESERVED.

LOC	DIST	REVISIONS					
		P	LTR	DESCRIPTION	DATE	DWN	APVD
J			-	SEE SHEET 1			



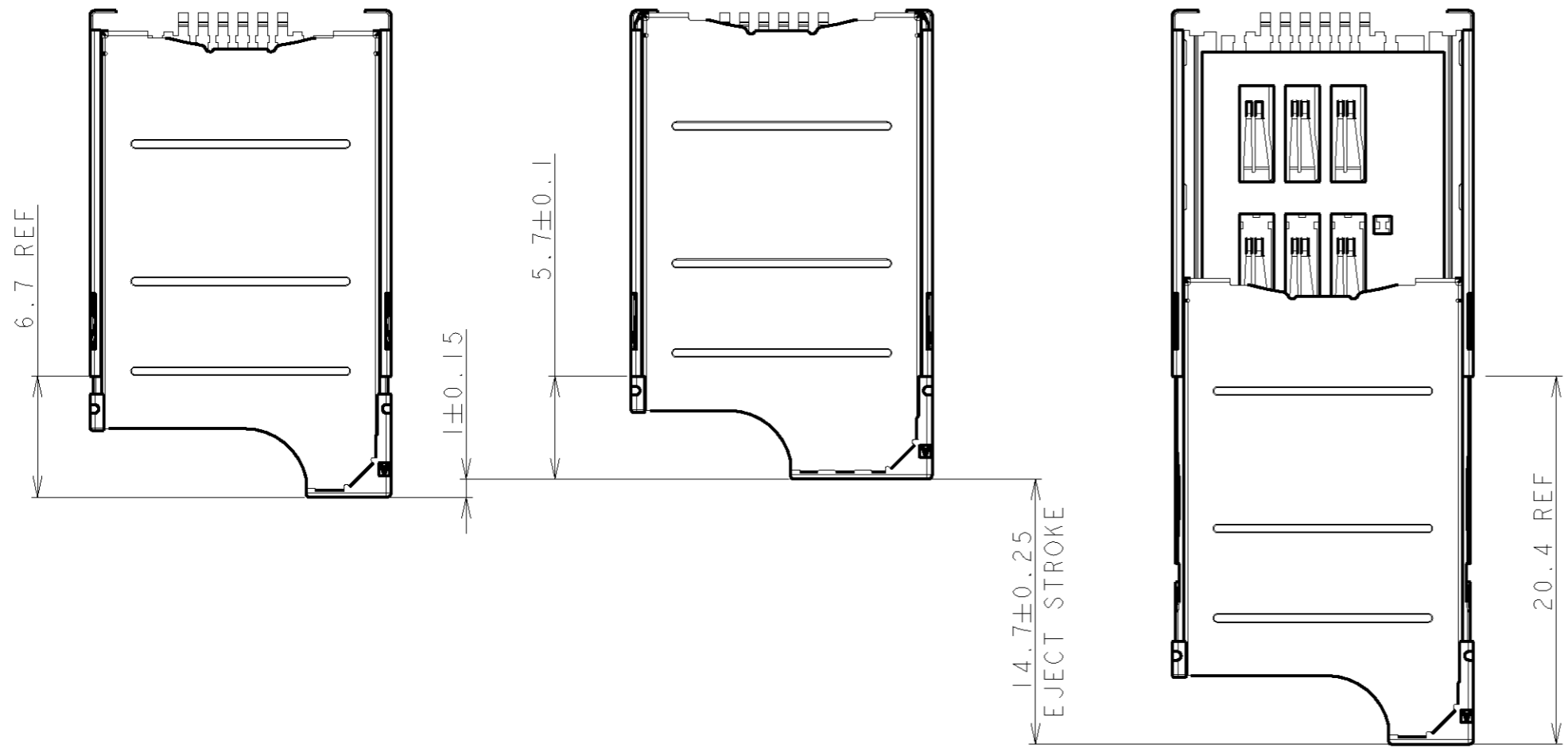
AS SHOWN : - 1

THIS DRAWING IS A CONTROLLED DOCUMENT FOR TYCO ELECTRONICS CORPORATION. IT IS SUBJECT TO CHANGE AND THE CONTROLLING ENGINEERING ORGANIZATION SHOULD BE CONTACTED FOR THE LATEST REVISION.		DWN	Tyco Electronics Corporation Kawasaki, Japan	
DIMENSIONS: 単位: 概 mm		CHK	NAME 名称	
TOLERANCES UNLESS OTHERWISE SPECIFIED: 一般公差 ± 0.15		APVD	TS14-RVS DOUBLE CONTACT BODY ASSY	
0 PLC \pm		PRODUCT SPEC 製品規格	SIZE	CAGE CODE
1 PLC \pm		APPLICATION SPEC 取付適用規格	A300779	DRAWING NO 番号
2 PLC \pm		WEIGHT	C=2134034	
3 PLC \pm		CUSTOMER DRAWING	RESTRICTED TO	
4 PLC \pm				
ANGLES $\pm 3^\circ$			SCALE 尺度	X:1
FINISH 仕上			SHEET	3 OF 4
			REV	A

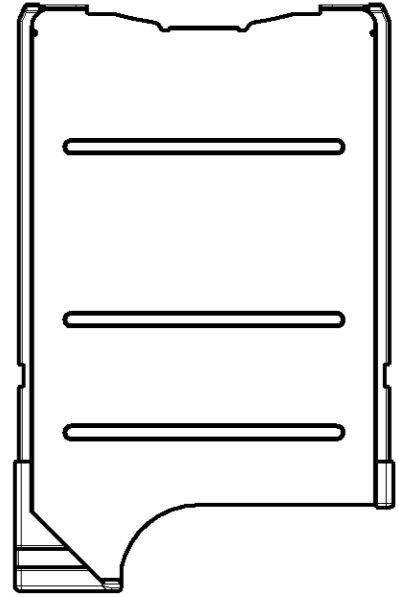
THIS DRAWING IS UNPUBLISHED. RELEASED FOR PUBLICATION 20
 © COPYRIGHT 20 BY TYCO ELECTRONICS CORPORATION. ALL RIGHTS RESERVED.

LOC	DIST	REVISIONS					
		P	LTR	DESCRIPTION	DATE	DWN	APVD
J		-		SEE SHEET 1	-	-	-

本図面に記載された内容はタイコ エレクトロニクス アンプ(株)の所有する情報を開示しております。
 無断で複写・配布する事を禁じます。 特許出願中



METAL TRAY
 P/N: 2134033-1



PAI COAT AREA
 PAIコート材範囲

POSITION IN WHICH CONTACT
 DEVIATE FROM SIM PAD
 コントクトがSIMカードPADを外れる位置

NOMINAL POSITION
 通常使用時

TRAY EJECT POSITION
 TARY引き出し位置

THIS DRAWING IS A CONTROLLED DOCUMENT FOR TYCO ELECTRONICS CORPORATION IT IS SUBJECT TO CHANGE AND THE CONTROLLING ENGINEERING ORGANIZATION SHOULD BE CONTACTED FOR THE LATEST REVISION.		DWN	Tyco Electronics Corporation Kawasaki, Japan	
DIMENSIONS: 単位: 概 mm		CHK	NAME 名称	
TOLERANCES UNLESS OTHERWISE SPECIFIED: 一般公差 ±0.15		APVD	TS14-RVS DOUBLE CONTACT BODY ASSY	
0 PLC ±		PRODUCT SPEC 製品規格	SIZE	CAGE CODE
1 PLC ±		APPLICATION SPEC 取付適用規格	A300779	DRAWING NO 番号
2 PLC ±		WEIGHT	C=2134034	
3 PLC ±		CUSTOMER DRAWING	SCALE 尺度	SHEET
4 PLC ±			X:1	4 OF 4
ANGLES ±3°				REV A
MATERIAL 材料	FINISH 仕上			