



SC

**SINGLEMODE OPTICAL PLUG
SUB-ASSEMBLY**

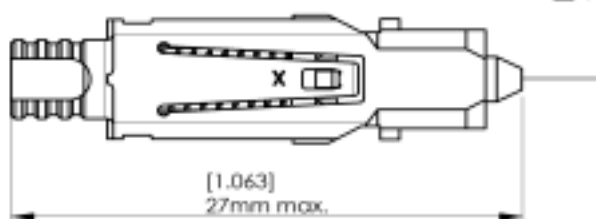
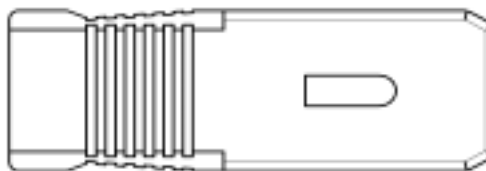
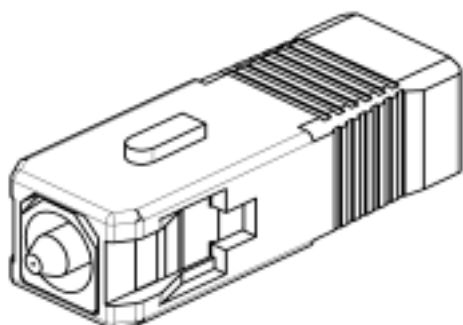
Packaging :
1

F 7 2 8 0 1 1 0 0 0

Packaging :
100

F 7 2 8 1 1 1 0 0 0

Original dimensions in mm [inch]



GENERAL

Type : IEC 61754-4 type SC
Singlemode zirconia APC ceramic ferrule (pencil type)
Push-pull latching system
Floating ferrule
360° tunable (adjustable to 6 positions for optimization of random insertion loss)

Ferrule size : 125µm
Fiber size : 9,5/125µm singlemode

Cable : DIA (0,9mm - 0,6/1 - 0,8/1,6) buffered fiber - DIA (2 to 3) tight or semi-loose structure

Cabling proc. : Refer to 503 08 400 (D 6121 oe) assembly instruction manual

CHARACTERISTICS (Dependant on fiber or cable construction)

	STD		TUNED (IEC 61300-2-40)	
	mean	standard deviation	mean	standard deviation
Attenuation at 1310 and 1550nm, LD	< 0,20 dB	0,15 dB	< 0,20 dB	0,15 dB
	<i>(Attenuation plug mated with reference plug IEC 61300-3-4)</i>			
	max. < 0,8dB,97%	0,25 dB	< 0,6dB,99%	0,15dB
	<i>(Attenuation of random mated connectors IEC 61300-3-34)</i>			
Repeatability	0,10 dB		0,10 dB	
Return loss	>60 dB		>60dB	
	<i>(Maximum loss variation, IEC 61300-2-2)</i>			
	<i>(Mated and unmated, IEC 61300-3-6)</i>			

Mechanical : Mechanical endurance 200 matings
Cable retention N/A
Environmental : Temperature range (storage/operating) -40°C to +85°C / -40°C to +70°C

(Performance and specification: see document GEN - F728 001)

CREATION						RADIALL	
N° :						101, rue P. Hoffmann - Z.I. Ouest	
PEN/EP : CAT.						93116 ROSNY / BOIS Cedex-France	
Name : PB						Phone : (0033) 149353535	
Date : 11 Aug. 99	3/31/00	The shroud is represented		LAHERA		Fax : (0033) 48546363	
App. : LV	Issue		Revisions	Name	App.		



**GENERAL ENVIRONMENTAL CHARACTERISTICS FOR
SC FIBER OPTIC CONNECTOR**

14.Apr.99

Page
1/1

Materials connector : Inflammability V0 (UL94)
Material in accordance with BELLCORE
GR 326 CORE Issue 2, par. 3.3.1

crimp body : brass, nickel plated
inner crimp sleeve : brass, nickel plated

PERFORMANCE AND SPECIFICATION

Thermal age test EIA/TIA-455-4A, 85°C 168 hr.

Thermal cycle test EIA/TIA-455-3A, -40°C to +75°C, 21 cycles 168 hr.

Humidity age EIA/TIA-455-5A, 75°C 95% RH, 168 hr.

Humidity/Condensation cycling test EIA/TIA-455-3A, 95%, -10 + 65°C, 14 cycles, 168 hr.

Post Condensation cycle test EIA/TIA-455-3A, -40°C to +75°C, 21 cycles 168 hr.

Vibration test Bellcore 326, 10 to 50 Hz, 2 hrs./axis

Flex test Type I* Bellcore 326, 0.9 Kg load, 100 cycles

Twist test Type I* Bellcore 326, 1.35 Kg load
Type II** Bellcore 326, 0.75 Kg load

Proof test Type I* Bellcore 326, Straight pull : 10 Kg load at 0°
Side pull : 2 Kg load at 90°
Type II** Bellcore 326, Straight pull : 1 Kg load at 0°

Transmission with applied tensile load Type I* Bellcore 326, 2,0 Kg load
Type II** Bellcore 326, 0,7 Kg load

Impact test Bellcore 326, 1.5 m drop, 10 cycles

Durability Bellcore 326, 200 cycles

Dust Bellcore 326 - Issue 2

Adhesive test Bellcore 326, 65°C, 7 days

Airborne contaminants Type I* Bellcore 326, ASTM B827-92

Salt spray EIA/TIA-455-16A, 35°C, 168 hr.

Immersion / corrosion Bellcore 326, 85°C, 14 days

Ground water immersion Bellcore 326, 22°C, 7 days

(*) : Type I cable media, reinforced, DIA ~ 3mm

(**) : Type II cable media, 900µm coating

(GR-409-CORE)

CREATION

Name : GONIN P.
Date : 14.Apr.99
App. : THIBAUD P.

Issue	Revisions	Name	App.

RADIALL

101, rue P. Hoffmann - Z.I. Ouest
93116 ROSNY / BOIS Cedex-France
Phone : (0033) 149353535
Fax : (0033) 48546363