



(1.27 mm) .050"

**TFSD, TFSDT SERIES**

# TIGER EYE™ DISCRETE CABLE ASSEMBLY

## SPECIFICATIONS

For complete specifications see [www.samtec.com?TFSD](http://www.samtec.com?TFSD) or [www.samtec.com?TFSDT](http://www.samtec.com?TFSDT)

**Insulator Material:**

Black LCP

**Contact Material:**

BeCu

**Plating:**

Au over 50 μ" (1.27 μm) Ni

**Operating Temp Range:**

-10 °C to +80 °C (PVC)

-40 °C to +125 °C (\*Teflon®)

**Wire:**

28 or 30 AWG

**RoHS Compliant:**

Yes

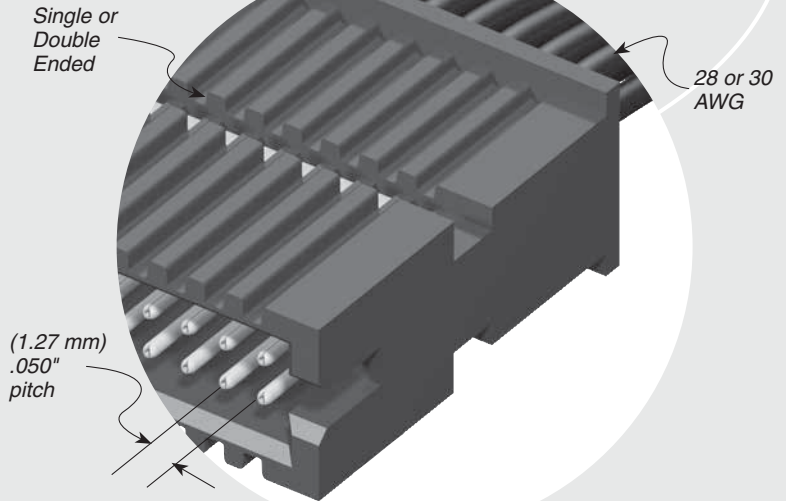
**Mates with:**

SFM, SFC (-TR requires

TFM-WT option),

SFML (-XL end option

required)



## RECOGNITIONS

For complete scope of recognitions see [www.samtec.com/quality](http://www.samtec.com/quality)



FILE NO. E111594

## ALSO AVAILABLE (MOQ Required)

- Color coded cable (\*Teflon® not available)
- Other plating options

\*DuPont™ Teflon® is a registered trademark of the E.I. du Pont de Nemours and Company or its affiliates.

TYPE STRIP	POSITIONS PER ROW	WIRE GAUGE	PLATING OPTION	ASSEMBLED LENGTH	END OPTION	END 2 OPTION
<b>TFSD</b> = Double Row PVC Cable	<b>-03, -04, -05, -07, -10, -15, -20, -25, -40, -50</b> (Standard sizes)	<b>-30</b> = 30 AWG <b>-28</b> = 28 AWG	<b>-G</b> = 10 μ" (0.25 μm) Gold on contact	<b>"XX.XX"</b> = Assembled Length in Inches (76.20 mm) 03.00" min. for -S end option (82.60 mm) 03.25" min. for -D, -T, -TF, & -TR end option	<b>-S</b> = Single Ended <b>-D</b> = Double Ended <b>-T</b> = Transfer End Terminal on End 1 Socket on End 2 <b>-TF</b> = Transfer End with Friction Lock (-05 & -07 positions not available.) <b>-TR</b> = Transfer End with Retention Latch (TFM -WT option required for mating)	Requires -D, -TF or -TR (End 1 Notch Down). <b>-NUS</b> = Notch up, straight <b>-NDS</b> = Notch down, straight <b>-NUX</b> = Notch up, crossed <b>-NDX</b> = Notch down, crossed

OPTION	PIN CONFIGURATION
<b>T-NUS</b>	Pin 1 to Pin N
<b>T-NDS</b>	Pin 1 to Pin 1
<b>T-NUX</b>	Pin 1 and Pin N-1
<b>T-NDX</b>	Pin 1 to Pin 2
<b>D-NUS</b>	Pin 1 to Pin 2
<b>D-NDS</b>	Pin 1 and Pin N-1
<b>D-NUX</b>	Pin 1 and Pin 1
<b>D-NDX</b>	Pin 1 to Pin N



**Notes:**  
For wiring option and pin position location information, refer to drawings on web.  
Teflon® cable is intended for crimp only. Contact Samtec for solderable cable applications.  
Some lengths, styles and options are non-standard, non-returnable.

Due to technical progress, all designs, specifications and components are subject to change without notice.

[WWW.SAMTEC.COM](http://WWW.SAMTEC.COM)

All parts within this catalog are built to Samtec's specifications. Customer specific requirements must be approved by Samtec and identified in a Samtec customer-specific drawing to apply.