

6

5

4

3

2

1

E

E

D

D

C

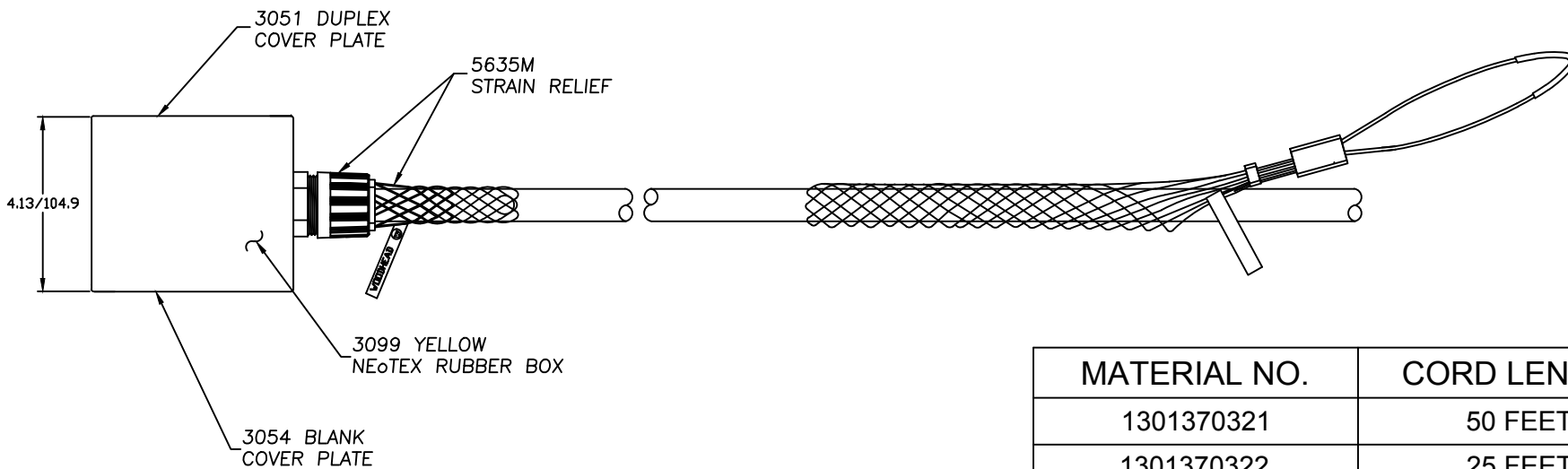
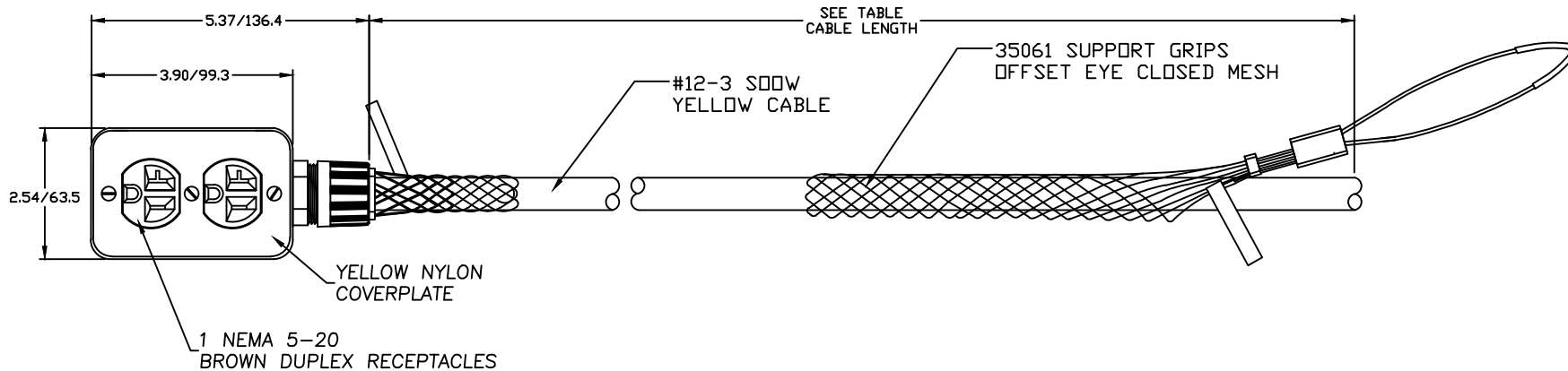
C

B

B

A

A



MATERIAL NO.	CORD LENGTH
1301370321	50 FEET
1301370322	25 FEET

CUSTOMER APPROVAL DWG EC NO: IPC2017-0130 DRWN: HKNEELAN 2016/08/03 CHKD: HKNEELAN 2016/08/22 APPR: JFMURPHY 2016/08/22	DESCRIPTION A	QUALITY SYMBOLS ▽=0 ▽C=0	GENERAL TOLERANCES (UNLESS SPECIFIED) <table border="1"> <thead> <tr> <th></th> <th>mm</th> <th>INCH</th> </tr> </thead> <tbody> <tr> <td>4 PLACES</td> <td>±---</td> <td>±---</td> </tr> <tr> <td>3 PLACES</td> <td>±---</td> <td>±.005</td> </tr> <tr> <td>2 PLACES</td> <td>±0.13</td> <td>±.010</td> </tr> <tr> <td>1 PLACE</td> <td>±0.25</td> <td>±.020</td> </tr> </tbody> </table>		mm	INCH	4 PLACES	±---	±---	3 PLACES	±---	±.005	2 PLACES	±0.13	±.010	1 PLACE	±0.25	±.020	DIMENSION STYLE IN/MM DRAWN BY DATE HKNEELAN 2016/08/03 CHECKED BY DATE HKNEELAN 2016/08/22 APPROVED BY DATE JFMURPHY 2016/08/22	SCALE NTS DESIGN UNITS INCH THIRD ANGLE PROJECTION	TITLE <b>MULTIPLE OUTLET BOX          W/ #12-3 CABLE &amp; MESH          1 NEMA 5-20 DPLX RECPT</b> <b>MOLEX INCORPORATED</b> MATERIAL NO. SEE CHART DOCUMENT NO. SD-130137-048 SHEET NO. 1 OF 1
			mm	INCH																	
		4 PLACES	±---	±---																	
		3 PLACES	±---	±.005																	
2 PLACES	±0.13	±.010																			
1 PLACE	±0.25	±.020																			
ANGULAR ±.5°			DRAFT WHERE APPLICABLE MUST REMAIN WITHIN DIMENSIONS																		
SIZE A			THIS DRAWING CONTAINS INFORMATION THAT IS PROPRIETARY TO MOLEX INCORPORATED AND SHOULD NOT BE USED WITHOUT WRITTEN PERMISSION																		

6

5

4

3

2

1