



Certifications & Ratings

- RoHS compliant
- IP66/IP67
- IK10
- NEMA 4X

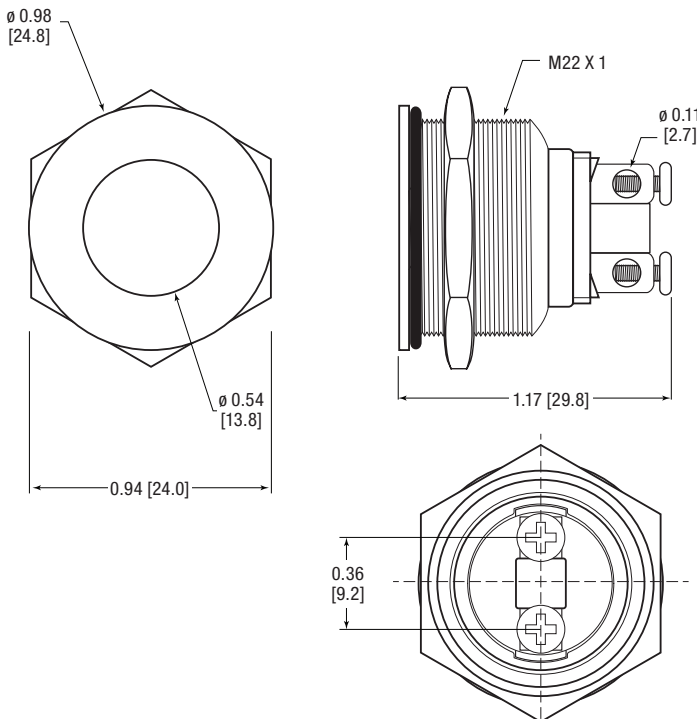
Application

The 622 Series Heavy Duty LED Panel Mount Indicators are elegantly designed for a high-end aesthetic paired with sturdy construction. These indicators are non-magnetic, corrosion resistant for both indoor and outdoor use, and secured to prevent dirt, dust, and water penetration. Ideal for a variety of applications such as:

- Main power indication
- Remote power indication
- Status indication
- Maintenance and warning indication
- Instrumentation
- ... and many more!

Dimensions

inches [mm]



Mechanical Information

| | |
|-----------------------------|----------------------|
| Mounting Hole Size: | 0.866" (22 mm) |
| Max Panel Thickness: | 0.394" (10 mm) |
| Mounting Torque: | 7.01 lbs-ft (9.5 Nm) |

Specifications

| | |
|-------------------------------|--|
| Operating Voltage: | 3 VDC (external resistor required) 6, 12 & 24 VDC (internal resistor included) |
| Operating Temp: | -25 °C to +70 °C (-13 °F to 158 °F) |
| Storage Temp: | -25 °C to +70 °C (-13 °F to 158 °F) |
| Electrical Connection: | Screw terminals |
| Housing: | Stainless Steel |
| Nut: | Stainless Steel |

Ordering Information 622 Series

Part Number Guide

RoHS Compliant

| | | | | | | | | | | | | |
|----------|---|---|---|---|---|---|---------|-------|---|---|---|---|
| 6 | 2 | 2 | - | 1 | X | X | X | - | 3 | 0 | 4 | F |
| | | | | | | | Voltage | | | | | |
| | | | | | | | 1 | 3VDC | | | | |
| | | | | | | | 2 | 6VDC | | | | |
| | | | | | | | 3 | 12VDC | | | | |
| | | | | | | | 4 | 24VDC | | | | |
| Color | | | | | | | | | | | | |
| ● Red | 1 | 0 | | | | | | | | | | |
| ● Green | 2 | 0 | | | | | | | | | | |
| ● Yellow | 3 | 0 | | | | | | | | | | |
| ● Blue | 4 | 0 | | | | | | | | | | |

| Dialight P/N | Color | Voltage (VDC) | Current (mA) | Typical Intensity (mcd) |
|---------------|----------|---------------|--------------|-------------------------|
| 622-1101-304F | ● Red | 3 | 15 | 200 |
| 622-1201-304F | ● Green | | | 250 |
| 622-1301-304F | ● Yellow | | | 350 |
| 622-1401-304F | ● Blue | | | 300 |
| 622-1102-304F | ● Red | 6 | | 200 |
| 622-1202-304F | ● Green | | | 250 |
| 622-1302-304F | ● Yellow | | | 350 |
| 622-1402-304F | ● Blue | | | 300 |
| 622-1103-304F | ● Red | 12 | | 200 |
| 622-1203-304F | ● Green | | | 250 |
| 622-1303-304F | ● Yellow | | | 350 |
| 622-1403-304F | ● Blue | | | 300 |
| 622-1104-304F | ● Red | 24 | 200 | |
| 622-1204-304F | ● Green | | 250 | |
| 622-1304-304F | ● Yellow | | 350 | |
| 622-1404-304F | ● Blue | | 300 | |

Dialight reserves the right to make changes at any time in order to supply the best product possible. The most current version of this document will always be available at: www.dialightsignalsandcomponents.com

Warranty Statement: Except for the warranty expressly provided for [herein/above/below], Dialight disclaims any and all other warranties, express or implied, including, without limitation, any warranties of merchantability, fitness for a particular purpose, title, and noninfringement.