

FCI PART NUMBER	DESCRIPTION	NOTES
10123417-XXXXLF	CONTROLLER TO BACKPLANE CONFIGURATION	SEE TABLE 2

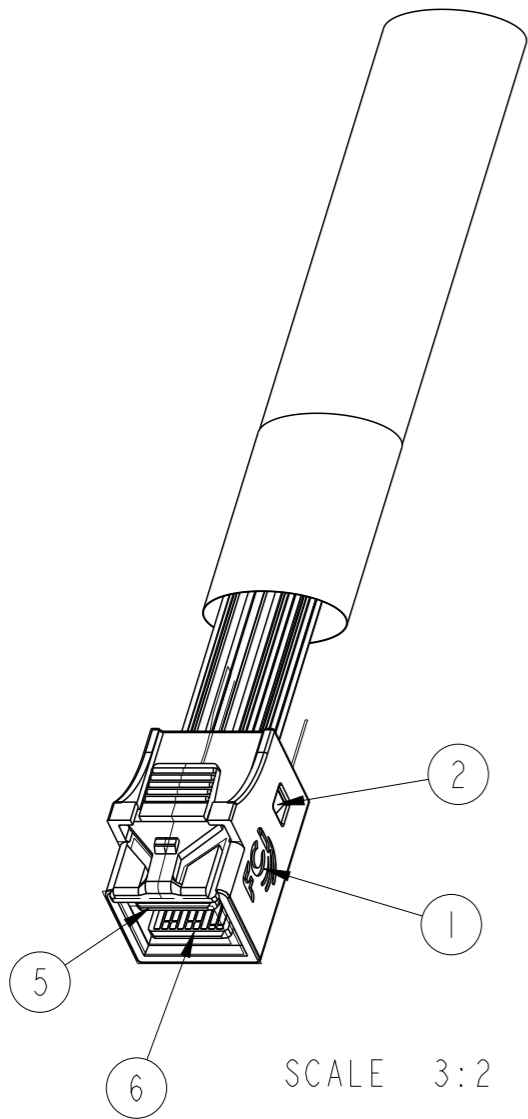


TABLE 1 - BILL OF MATERIALS

ITEM	DESCRIPTION	QTY	NOTES
1	mSAS HD INTERNAL HOUSING- SHORT	2	
2	mSAS HD INTERNAL PCB INSERT- SHORT	2	
3	FLAT RIBBON CABLE GPPG (30 AWG)	A/R	SEE TABLE 2
4	SIDE BAND FLAT RIBBON CABLE (30 AWG)	A/R	
5	mSAS HD INTERNAL LOWER (A-B) PCB	2	
6	mSAS HD INTERNAL UPPER (C-D) PCB	2	
7	PLASTIC BRAID	A/R	
8	ACETATE TAPE 20mm BLACK	A/R	
9	LABEL	1	SEE NOTE 5
10	3525 LOCTITE	A/R	NOT SHOWN

spec ref	-	dr	Andy Wu	2013/01/03	projection	mm	size	A3	scale	1:1	
tolerance std	ISO 406 ISO 1101	eng	Andy Wu	2013/01/17			ecn no	ELX-N-13885-1			
	TOLERANCES UNLESS OTHERWISE SPECIFIED	chr	-	apppr			Roger Cheng	2013/01/20	product family	-	rel level
surface	✓	linear	0.X	±0.3		mSAS HD INTERNAL (4i) CABLE ASSEMBLY- 6 Gb/s, short type	dwg no 10123417	rev B	ISO 1302		
		0.XX	±0.10	cat. no.					-	Product - Customer Drw	sheet 1 of 4
		0.XXX	±0.005	www.fci.com							
		angular	0°	±2°							

FCI PART NUMBER	DESCRIPTION	NOTES
10123417-XXXXLF	CONTROLLER TO BACKPLANE CONFIGURATION	SEE TABLE 2

TABLE 2- CABLE PART NUMBER LIST			
PART NUMBER	"DIM L" CABLE LENGTH (METERS)	AWG	NOTES
10123417-2030LF	0.3	30	CONTROLLER TO BACKPLANE WIRING CONFIGURATION (SHEET 2) ----- (SEE SHEET 4 FOR ALL NOTES)
10123417-2040LF	0.4	30	
10123417-2050LF	0.5	30	
10123417-2060LF	0.6	30	
10123417-2070LF	0.7	30	
10123417-2080LF	0.8	30	
10123417-2090LF	0.9	30	
10123417-2100LF	1.0	30	

NOTE:

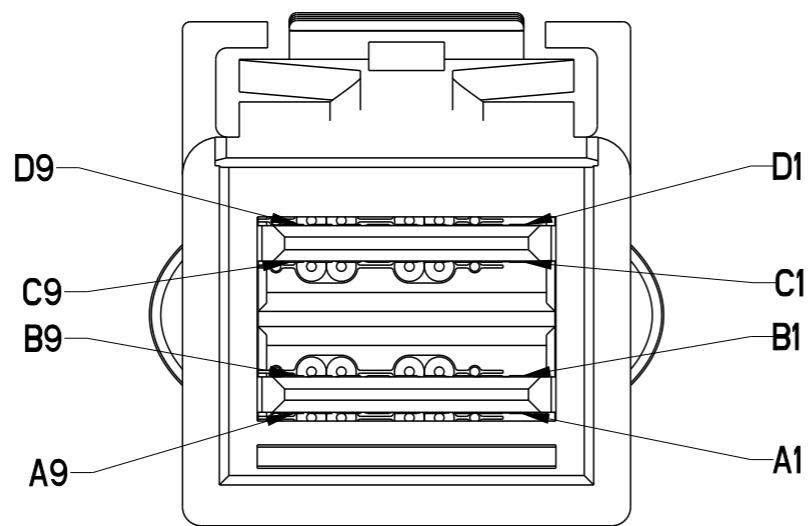
1. ALL CABLE PERFORMANCE COMPLIANCE SAS2.1
2. CABLE MORE THAN 1.0 METER COULD NOT MEET SAS2.1 INSERTION LOSS -6dB MAX.

spec ref	-	dr	Andy Wu	2013/01/03	projection	mm	size	A3	scale	1:2
tolerance std	ISO 406 ISO 1101	eng	Andy Wu	2013/01/17		← →	ecn no	ELX-N-13885-1		
TOLERANCES UNLESS OTHERWISE SPECIFIED		chr	-	-			rel level	Released		
surface	ISO 1302	appr	Roger Cheng	2013/01/20	product family	-	dwg no	10123417	rev	B
	linear	0.X	±0.3		mSAS HD INTERNAL (4i)					
		0.XX	±0.10		CABLE ASSEMBLY- 6 Gb/s, short type					
		0.XXX	±0.005							
	angular	0°	±2°	www.fci.com	cat. no.	-	Product - Customer Drw	sheet 2 of 4		



Copyright FCI.

FCI PART NUMBER	DESCRIPTION	NOTES
10123417-XXXXLF	CONTROLLER TO BACKPLANE CONFIGURATION	SEE TABLE 2



SCALE 5:1

LEGEND	
	HIGH-SPEED SERIAL DIFFERENTIAL PAIRS
	SIGNAL RETURN
	SIDEBAND SIGNAL

WIRING LIST (CONTROLLER TO BACKPLANE)				
END P1 (CONTROLLER)			END P2 (BACKPLANE)	
POSITION	SYMBOL		POSITION	SYMBOL
D9	GROUND	-----	B9	GROUND
D8	Tx2-		B8	Rx2-
D7	Tx2+		B7	Rx2+
D6	GROUND	-----	B6	GROUND
D5	Tx0-		B5	Rx0-
D4	Tx0+		B4	Rx0+
D3	GROUND	-----	B3	GROUND
D2	SIDEBAND 6		D1	SIDEBAND 6
D1	SIDEBAND 5		D2	SIDEBAND 5
C1	SIDEBAND 4		C2	SIDEBAND 4
C2	SIDEBAND 2		C1	SIDEBAND 2
C3	GROUND	-----	A3	GROUND
C4	Tx1+		A4	Rx1+
C5	Tx1-		A5	Rx1-
C6	GROUND	-----	A6	GROUND
C7	Tx3+		A7	Rx3+
C8	Tx3-		A8	Rx3-
C9	GROUND	-----	A9	GROUND
B9	GROUND	-----	D9	GROUND
B8	Rx2-		D8	Tx2-
B7	Rx2+		D7	Tx2+
B6	GROUND	-----	D6	GROUND
B5	Rx0-		D5	Tx0-
B4	Rx0+		D4	Tx0+
B3	GROUND	-----	D3	GROUND
B2	SIDEBAND 1		B1	SIDEBAND 1
B1	SIDEBAND 3		B2	SIDEBAND 3
A1	SIDEBAND 7		A2	SIDEBAND 7
A2	SIDEBAND 0		A1	SIDEBAND 0
A3	GROUND	-----	C3	GROUND
A4	Rx1+		C4	Tx1+
A5	Rx1-		C5	Tx1-
A6	GROUND	-----	C6	GROUND
A7	Rx3+		C7	Tx3+
A8	Rx3-		C8	Tx3-
A9	GROUND	-----	C9	GROUND

spec ref	-	dr	Andy Wu	2013/01/03	projection	mm	size	A3	scale	1:1
tolerance std	ISO 406 ISO 1101	eng	Andy Wu	2013/01/17		← →	ecn no	ELX-N-13885-1		
	TOLERANCES UNLESS OTHERWISE SPECIFIED	chr	-	-	product family	-	rel level	Released		
surface	✓	appr	Roger Cheng	2013/01/20	FCj		title	mSAS HD INTERNAL (4i)	dwg no	10123417
	linear				www.fci.com	cat. no.	-	Product - Customer Drw	rev	B
	angular							sheet 3 of 4		

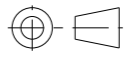




Copyright FCI.

NOTES:

1. MATERIAL:
 HOUSINGS: MODIFIED POLYPHENYLENE ETHER
 PADDLE CARD: PRINTED CIRCUIT SUBSTRATE
 HEAT SHRINK TUBE: POLYOLEFIN
 EPOXY LOCTITE
2. THIS PRODUCT MEETS THE RESTRICTION OF HAZARDOUS SUBSTANCES IN ELECTRICAL AND ELECTRONIC EQUIPMENT (RoHS) DIRECTIVE (2002/95/EC)
3. THIS DIMENSION IS A FINISHED PRODUCT LENGTH.
4. UNLESS OTHERWISE SPECIFIED ASSEMBLED LENGTH TOLERANCE IS TO BE:
 "DIM L" < 1 METER = ±15mm
 "DIM L" 1 METER TO 10 METERS = ± 2% OF "DIM L"
5. UNLESS OTHERWISE SPECIFIED LABEL POSITION IS TO BE 95mm FROM REAR OF PI CONNECTOR.
 LABEL DETAILS:
 MANUFACTURER CODE OR NAME COUNTRY OF ORIGIN
 CUSTOMER P/N OR FCI P/N
 REVISION
 DATE CODE (YYYY/MM/DD FORMAT) - SERIAL NUMBER

 FONT SHALL BE CLEARLY VISIBLE AND BLACK IN COLOR.
6. ALL CABLE ASSEMBLIES SHALL BE 100% TESTED FOR CONTINUITY AS DEFINED IN WIRING LIST.
7. ALL CABLE ASSEMBLIES SHALL BE 100% HI-POT TESTED BH APPLYING 300V DC FOR A MINIMUM OF 10ms.
8. IMPEDANCE: 100Ω DIFFERENTIAL.
9. OTHER TESTING PERFORMED AS REQUIRED BY PRODUCT SPECIFICATION: GS-12-650.
10. PACKAGE AND LABEL CABLE ASSEMBLIES PER GS-14-1272.
11. A "△" SYMBOL WILL BE NEXT TO ANY DIMENSION, VIEW, OR NOTE WHICH HAS BEEN MODIFIED WITH THE CURRENT DRAWING REVISION. THE CURRENT REVISION WILL BE SHOWN IN THE SYMBOL.
12. "HLF" PRODUCT NUMBERS DESIGNATE THE USE OF HALOGEN FREE RAW CABLE.
13. HALOGEN FREE RAW CABLE CAN BE USED AS A SUBSTITUTE ON NON-HF PRODUCT NUMBERS.
14. PART NUMBER/SUPPLIER SUBSTITUTION IS NOT ALLOWED.

spec ref -		dr	Andy Wu	2013/01/03	projection	mm	size	A3	scale	1:1		
tolerance std ISO 406 ISO 1101		TOLERANCES UNLESS OTHERWISE SPECIFIED					ecn no		ELX-N-13885-1			
surface ✓		eng	Andy Wu	2013/01/17			product family		rel level		Released	
ISO 1302		linear	0.X	±0.3		mSAS HD INTERNAL (4i)		dwg no 10123417	rev		B	
			0.XX	±0.10		CABLE ASSEMBLY- 6 Gb/s, short type						
		angular	0°	±2°		www.fci.com			cat. no. -		Product - Customer Drw	



Copyright FCI.