

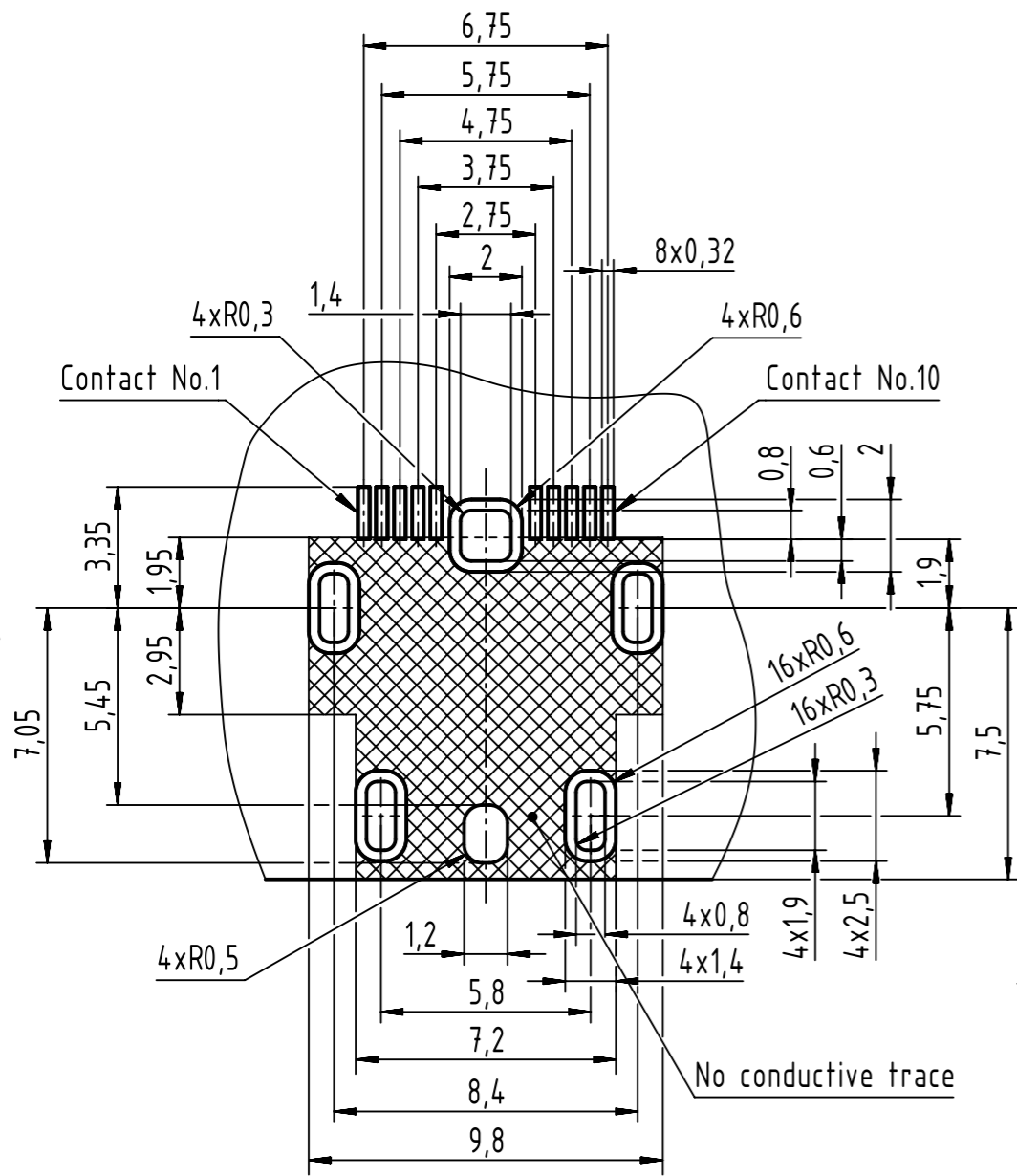
Contact No.	Signal	
	10/100 Mbit/s	1/10 Gbit/s
1	TX+	BI DA+
2	TX-	BI DA-
3	N.C.	GND
4	N.C.	BI DC+
5	N.C.	BI DC-
6	RX+	BI DB+
7	RX-	BI DB-
8	N.C.	GND
9	N.C.	BI DD+
10	N.C.	BI DD-

09452812560: Tape & reel packaging (400 pcs.)
 09452812560333: Single packaging (1 pcs.)

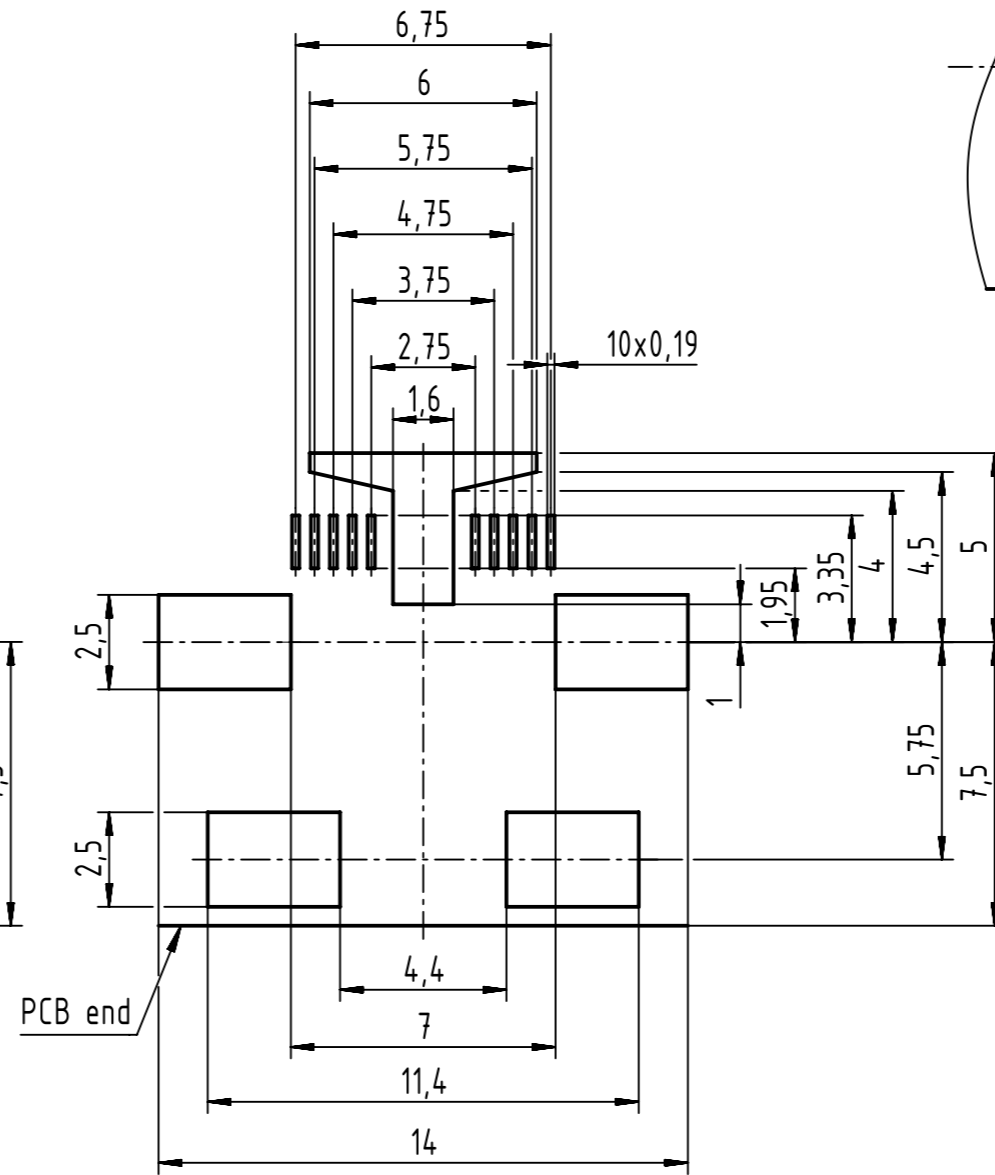
This product is mounted by reflow soldering.
 Contact material: copper alloy
 Contact area: Gold 0.2µm min.
 Lead area: Gold 0.03µm min.
 Under plating: Nickel 2µm min.

	All rights reserved		Scale 5:1		Free size tol.		Ref.	
	Department EC PD - RO		Created by POPESCU	Inspected by PRIESTER	Standardisation HOFFMANN	Date 2017-10-19	State Final Release	
HARTING Electronics GmbH D-32339 Espelkamp		Title HA ix Ind jack Cat.6A 10p SMD angl.vert.;A key			Type TB		Number 09452812560	
						Doc-Key / ECM-Nr. 100695472/UGD/000/B 500000126069		
						Rev. B		
						Page 1/2		

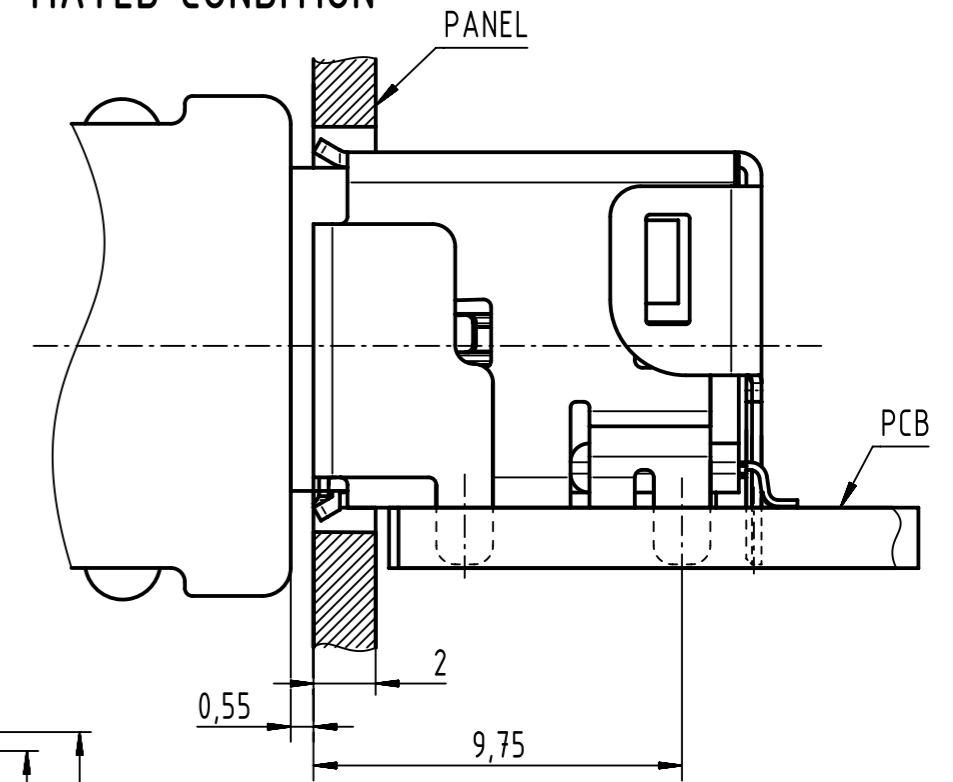
Reference PCB Layout (t=1.6)



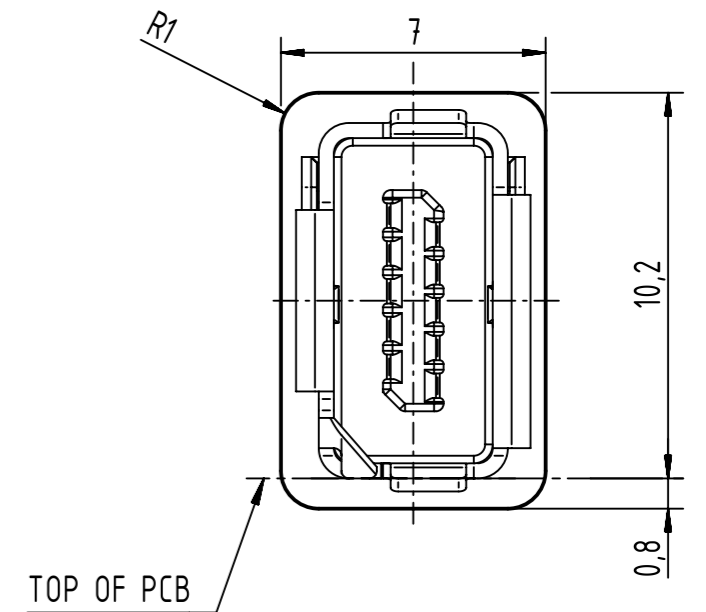
Reference Metal Mask Layout (t=0.15)



MATED CONDITION



REFERENCE DIMENSIONS OF PANEL CUT OUT



	All Dimensions in mm Original Size DIN A3		Scale 5:1	Free size tol.		Ref. Sub.	
	All rights reserved Department EC PD - RO		Created by POPESCU	Inspected by PRIESTER	Standardisation HOFFMANN	Date 2017-10-19	State Final Release
HARTING Electronics GmbH D-32339 Espelkamp		Title HA ix Ind jack Cat.6A 10p SMD angl.vert.;A key				Doc-Key / ECM-Nr. 100695472/UGD/000/B 500000126069	
		Type TB	Number 09452812560		Rev. B	Page 2/2	

Mouser Electronics

Authorized Distributor

Click to View Pricing, Inventory, Delivery & Lifecycle Information:

[HARTING:](#)

[09452812560](#)