

THIS DRAWING IS UNPUBLISHED.

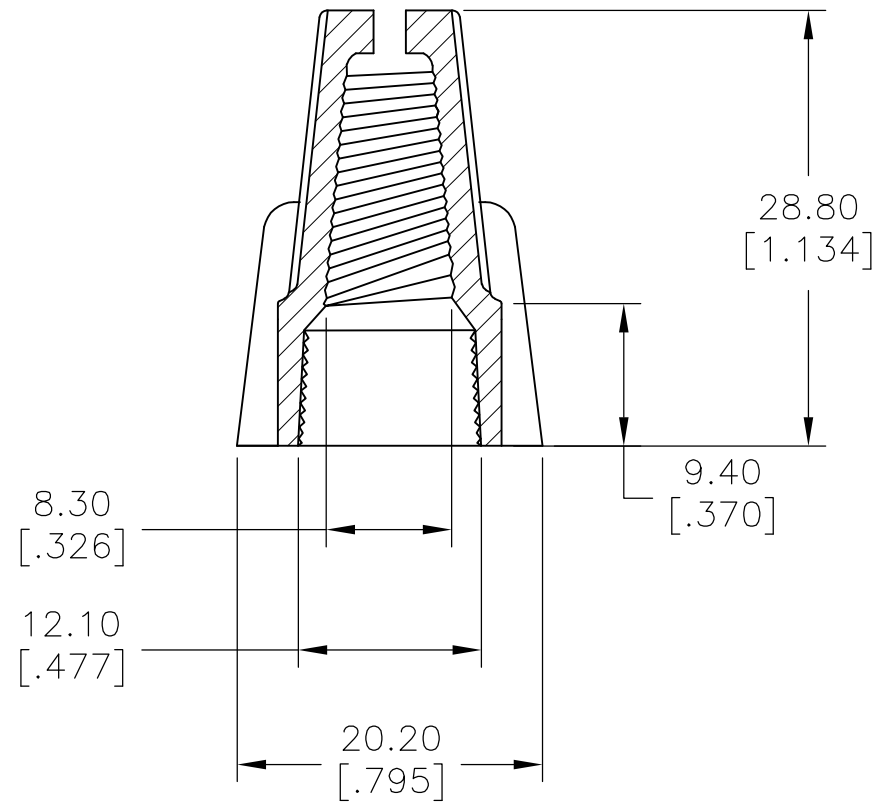
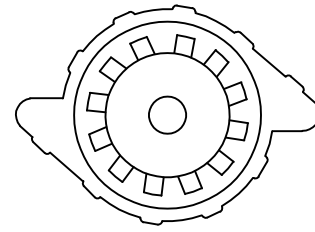
RELEASED FOR PUBLICATION

ALL RIGHTS RESERVED.

© COPYRIGHT - By -

REVISIONS

P	LTR	DESCRIPTION	DATE	DWN	APVD
	A	NEW DRAWING	13JAN2016	NK	RH



- 1 WORKING TEMPERATURE: 105° C
- 2 COLOR: GREEN
- 3 WIRE RANGE: #14-#10 AWG MAX.5#12 MIN.2#14
- 4 SPRING INSERT: STEEL

2299511-1 AS SHOWN

THIS DRAWING IS A CONTROLLED DOCUMENT.		DWN NAGALAKSHMI K 13JAN2016	TE Connectivity			
DIMENSIONS: mm [INCHES]		CHK HILL RYAN 13JAN2016				NAME
		APVD HILL RYAN 13JAN2016	CPGI-WC-GG-GN-BULK			
TOLERANCES UNLESS OTHERWISE SPECIFIED:		PRODUCT SPEC	RESTRICTED TO			
0 PLC ± - 1 PLC ± 0.2[.007] 2 PLC ± 0.4[.015] 3 PLC ± - 4 PLC ± - ANGLES ± -		APPLICATION SPEC	SIZE	CAGE CODE	DRAWING NO	
MATERIAL TOUGH THERMOPLASTIC UL 94V-2 FLAME-RETARDANT		FINISH -	WEIGHT -	A3	00779	C-2299511
CUSTOMER DRAWING			SCALE 2:1	SHEET 1 OF 1	REV A	