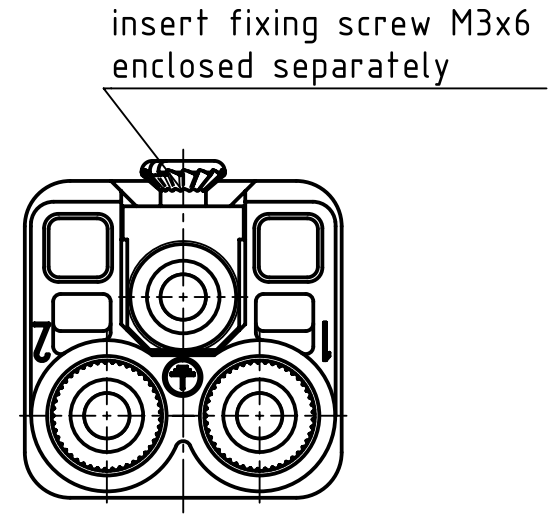
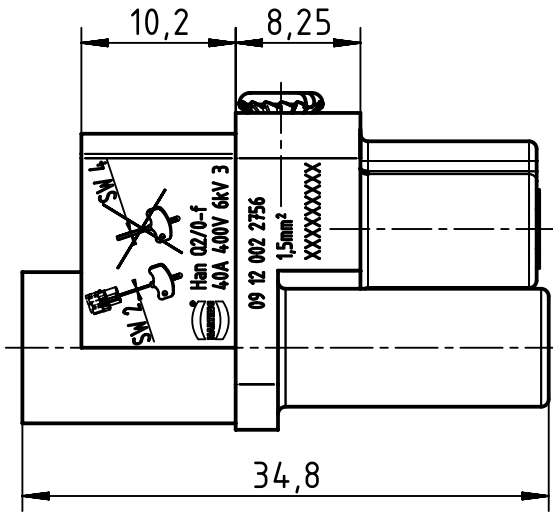
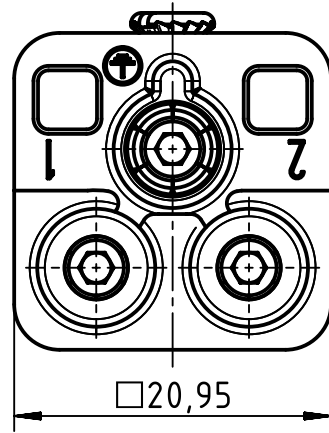


A

B

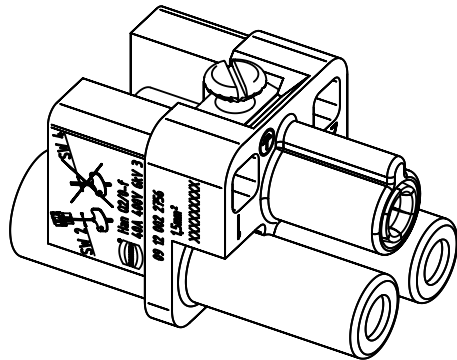
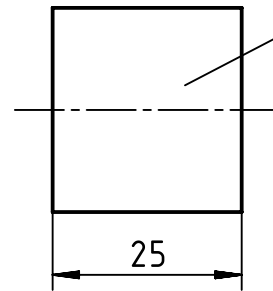
C

D



1:1

shrinking tube enclosed separately



	All rights reserved Department EL PD - DE	All Dimensions in mm Original Size DIN A4		Scale 2:1	Free size tol.	Ref.
		Created by HOLLERT	Inspected by SUNDERMEIER	Standardisation TIEMANNA	Date 2014-07-17	State Final Release
HARTING Electric GmbH & Co. KG D-32339 Espelkamp		Title Han Q2/0-f 1.5sqmm with shrinking tube			Doc-Key / ECM-Nr. 100585452/UGD/002/A 500000074358	
		Type TB	Number 09 12 002 2756		Rev. A	Page 1/1

Mouser Electronics

Authorized Distributor

Click to View Pricing, Inventory, Delivery & Lifecycle Information:

[HARTING:](#)

[09120022756](#)