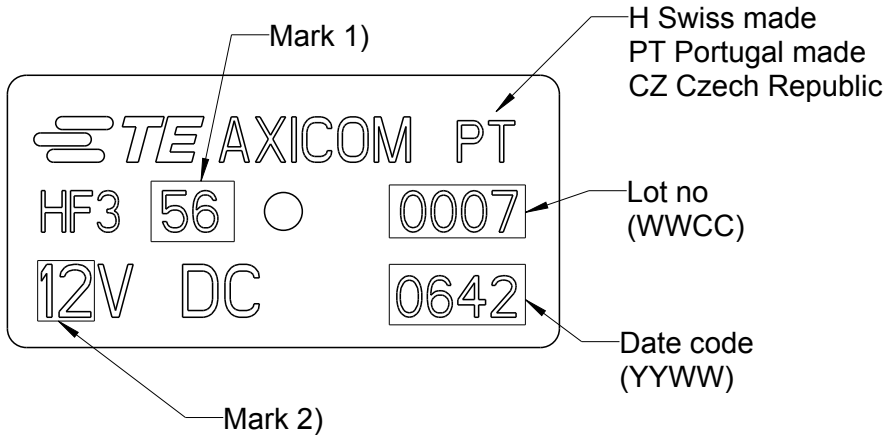


LOC	DIST	REVISIONS					
		P	LTR	DESCRIPTION	DATE	DWN	APVD
HJ	-		C1	ECR-14-007162 (Packaging information)	13OCT2015	AP	AK
			C	REVISED PER ECO-13-009645	18JUN2013	UKo	AK
			B3	New HF3 91R, HF3 93R, HF3 96R	12JAN2012	UKo	BK
			B2	Printing, new HF3 53RS	09JUL2010	UKo	HD



Packaging data code (Box, bag, reels):
 P(YWWDSL)000
 Shipping data code:
 YYWW

P - Product code (9 to HF relay)
 Y(Y) - Year (last digit for packaging)
 WW - calendar week (from date code)
 D - Day of the week (1=Sat,.....and 7=Fri)
 S - Shift (1=day shift, 2 night shift)
 L - Production Line
 C - Weekly sequential number
 000 - For internal use

Pos.	Relay-Typ	Mark 1)	Mark 2)	PN
1	HF3 51	51	3	1462051-1
2	HF3 51S	51S	3	3-1462051-0
3	HF3 52	52	4.5	1-1462051-6
4	HF3 52S	52S	4.5	2-1462051-8
5	HF3 53	53	5	1462051-2
6	HF3 53RS	53RS	5	3-1462051-3
7	HF3 53S	53S	5	2-1462051-3
8	HF3 54	54	6	1-1462051-7
9	HF3 55	55	9	1462051-3
10	HF3 56	56	12	1462051-4
11	HF3 56S	56S	12	3-1462051-1
12	HF3 57	57	24	1462051-5
13	HF3 57S	57S	24	2-1462051-2
14	HF3 71	71	3	1462051-6
15	HF3 72	72	4.5	1-1462051-8
16	HF3 73	73	5	1462051-7
17	HF3 73S	73S	5	2-1462051-7
18	HF3 74	74	6	1-1462051-9


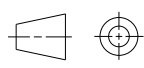
2007

RELEASED FOR PUBLICATION

ALL RIGHTS RESERVED.

THIS DRAWING IS UNPUBLISHED.

© COPYRIGHT 2007

DIMENSIONS: mm	DWN UKo 9193	04APR2007	MATERIAL	-	FINISH	-
	CHK HD 9121	04APR2007	 TE Connectivity			
TOLERANCES UNLESS OTHERWISE SPECIFIED: DIN 7168-m	APVD HD 9121	04APR2007				
0 PLC ±-	PRODUCT SPEC	-	NAME			HF3-Relay 50Ω
1 PLC ±-	-	-	Marking			
2 PLC ±-	APPLICATION SPEC	-	SIZE	CAGE CODE	DRAWING NO	RESTRICTED TO
3 PLC ±-	-	-	A4	00779	C- 1462051-1	-
4 PLC ±-	WEIGHT	-	CUSTOMER DRAWING			SCALE
ANGLES ±-						5:1
						SHEET
						1 OF 2
						REV
						C1

