

K3G097AK Series Centrifugal Blower

Ø 97mm Automotive

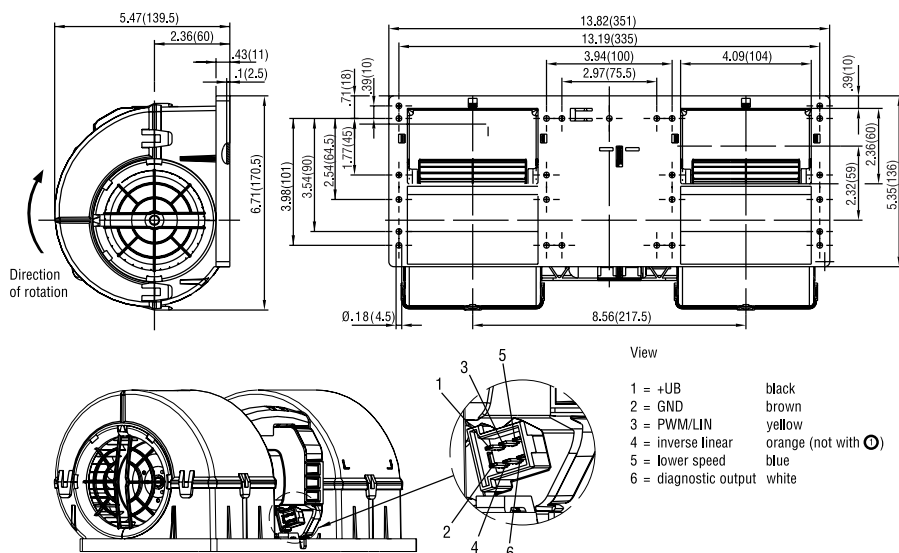


- Material: Scroll housing made of plastic PP - color: black, impeller made of plastic PA
- Bearings: Maintenance-free ball bearings on both sides
- Type of protection: IP 24 KM (without plug)
- EMC-directives: DIN EN 55025, ISO 7 637 Teil 3, DIN ISO 11 452, interference suppression grade 5
- Connector plug: AMP Junior Power Timer, 6-pole, coded; connection lead (450 mm) with mating plug part no. 02001-4-1021 (not included)
- Insulation class: "B" according to EN 60335-1
- Motor protection: Over-temperature protection, reserve battery and locked-rotor protection, load dump, under-voltage detection
- UL, CSA, VDE approvals on some models, please contact application engineering.

Part Number	Curve	CFM @ 0	VDC	Volt. Range	Power (W)	dBA	Max. Amb. Temp C	Speed (RPM)	Wgt. (lbs)
K3G097-AK34-43 ⁽¹⁾	1	1216	26	9 to 32	377	69	70	3652	5.29

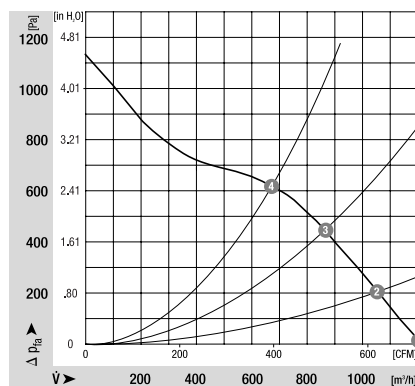
subject to alterations

⁽¹⁾ 12 V variant available



	n [RPM]	P _i [W]	L _{pA} [dBA]
①	3652	377	69
②	3960	344	68
③	4362	320	68
④	4809	292	70

Curve



ebmpapst

e-mail: sales@us.ebmpapst.com · TEL: 860-674-1515 · FAX: 860-674-8536

ebm-papst Inc., 100 Hyde Road, Farmington, CT 06034 USA

ebm-papst Inc., 2006 © ebm-papst Inc. reserves the right to change any specifications or data without notice