

LOC	DIST	REVISIONS			
P	LTR	DESCRIPTION	DATE	DWN	APVD
E	B	B2	REVISED PER ECO-11-005150	29MAR2011	RK HMR

1 FOR FURTHER INFORMATION SEE DATA SHEET FOR HS SERIES-ALUMINIUM HOUSED RESISTORS

2 FOR A SPECIFIC PN FOR A RESISTANCE VALUE AND TOLERANCE, PLEASE REFER TO DMF

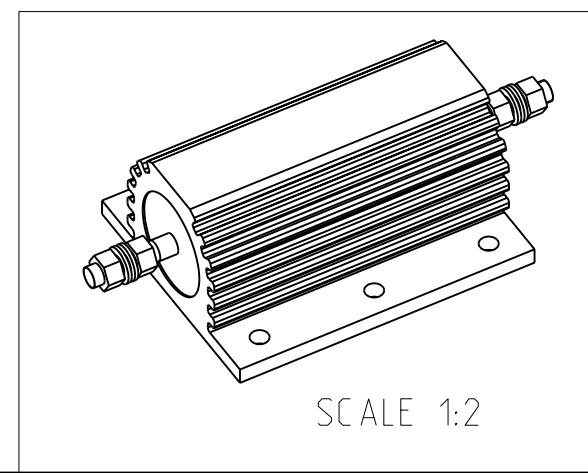
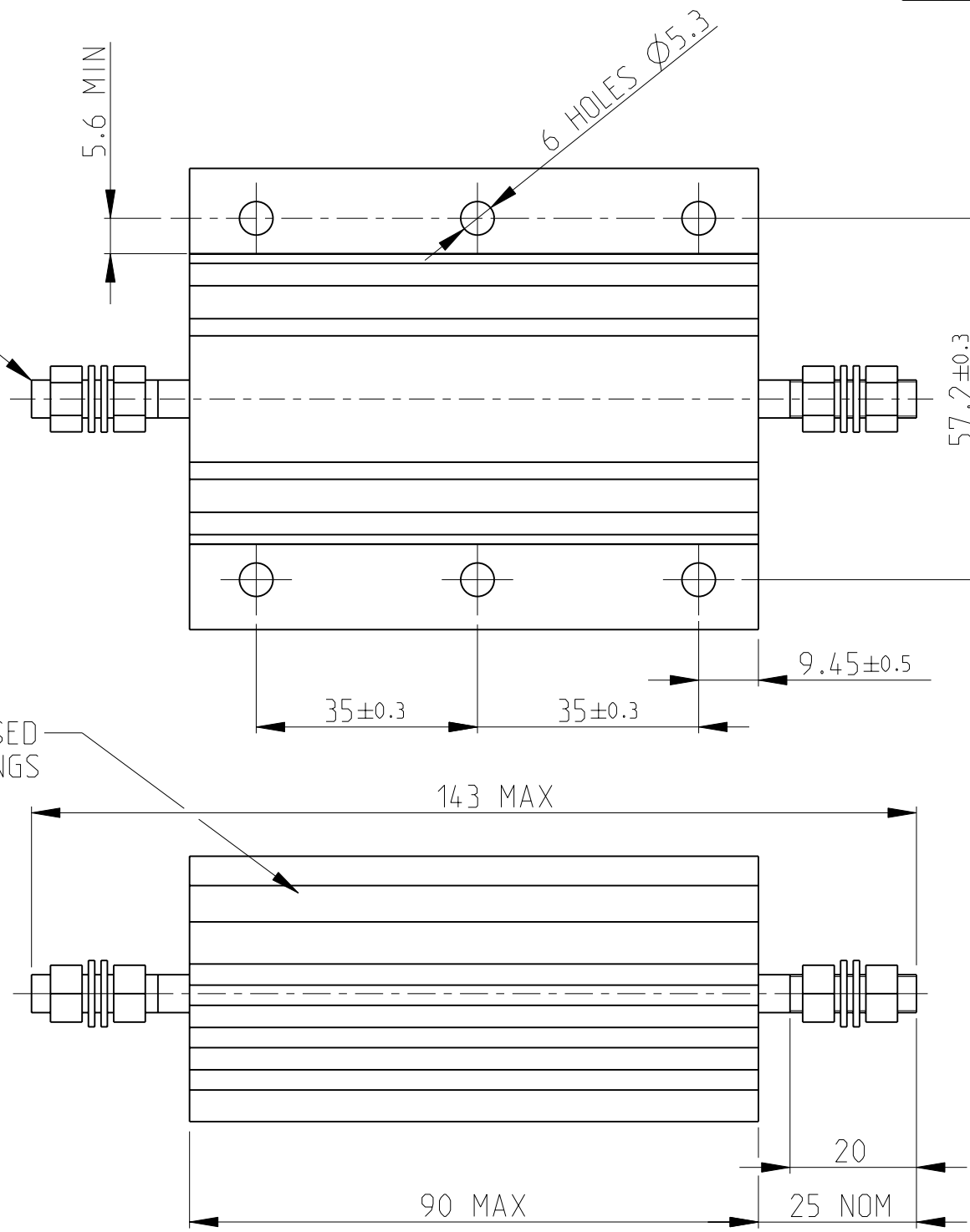
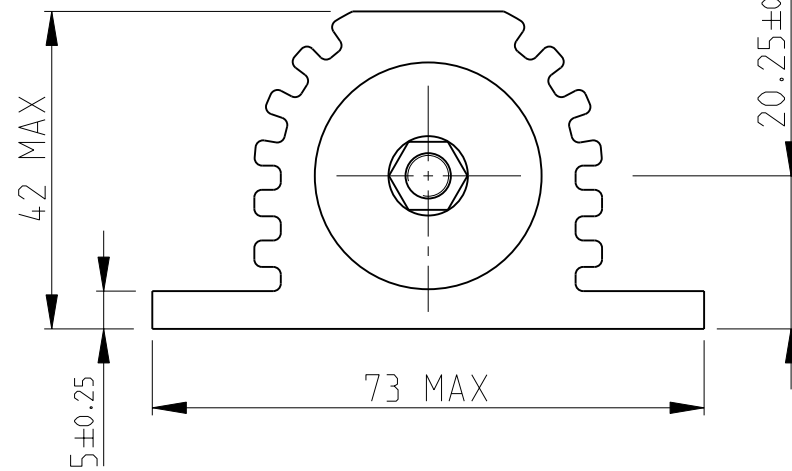
M6 ST/STEEL TERMINAL STUDS.
EACH SUPPLIED WITH:-
2 OFF M6 ST/STEEL FULL NUTS
2 OFF M6/STEEL PLAN WASHERS


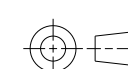
GOLD ANODISED
ALUMINIUM HOUSINGS

HSC200
ALUMINIUM HOUSED
POWER RESISTOR

RoHS Compliant

SCALE 1:2



THIS DRAWING IS A CONTROLLED DOCUMENT.		DWN L LUONG	10.MAR.03	 TE Connectivity NAME HSC200 ALUMINIUM HOUSED POWER RESISTOR	
DIMENSIONS: mm		CHK J CATCHPOLE	10.MAR.03		
		APVD J CATCHPOLE	10.MAR.03		
TOLERANCES UNLESS OTHERWISE SPECIFIED:		PRODUCT SPEC			
0 PLC ±0.5 1 PLC ±0.2 2 PLC ±0.1 3 PLC ± 4 PLC ± ANGLES ±5°		APPLICATION SPEC		SIZE A3	
MATERIAL -		FINISH -		CAGE CODE 00779	
				DRAWING NO C-1630019	
				RESTRICTED TO -	
		CUSTOMER DRAWING		SCALE 1:1	
				SHEET 1 OF 1	
				REV B2	