

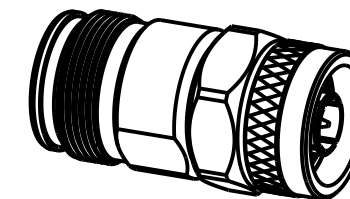
NOTES:

1. MATERIAL AND FINISH (PLATING THICKNESS IN MICRO-INCHES):  
 BODY - BRASS, ALBALOY PLATING  
 OUT CONTACT - PHOSPHOR BRONZE, ALBALOY PLATING  
 CONTACT - BERYLLIUM COPPER, SILVER PLATING  
 INSULATOR - PTFE, NATURAL
2. ELECTRICAL:  
 A. IMPEDANCE: 50 OHM  
 B. FREQUENCY RANGE: DC-6 GHz  
 C. RETURN LOSS: 1.05 Max. @ DC-4GHz  
                   1.1 Max. @ DC-4~6GHz  
 D. INSERTION LOSS: 0.05+0.05\*SQRT(f) dB  
 E. INTERMODULATION 3RD ORDER: -160 dBc MAX.(2\*20 W)  
 F. DIELECTRIC WITHSTANDING VOLTAGE: 2500 VRMS. MIN. 60 Hz
3. MECHANICAL:  
 A. DURABILITY: 500 CYCLES MIN.  
 B. TEMPERATURE RANGE: -65°C TO +165°C

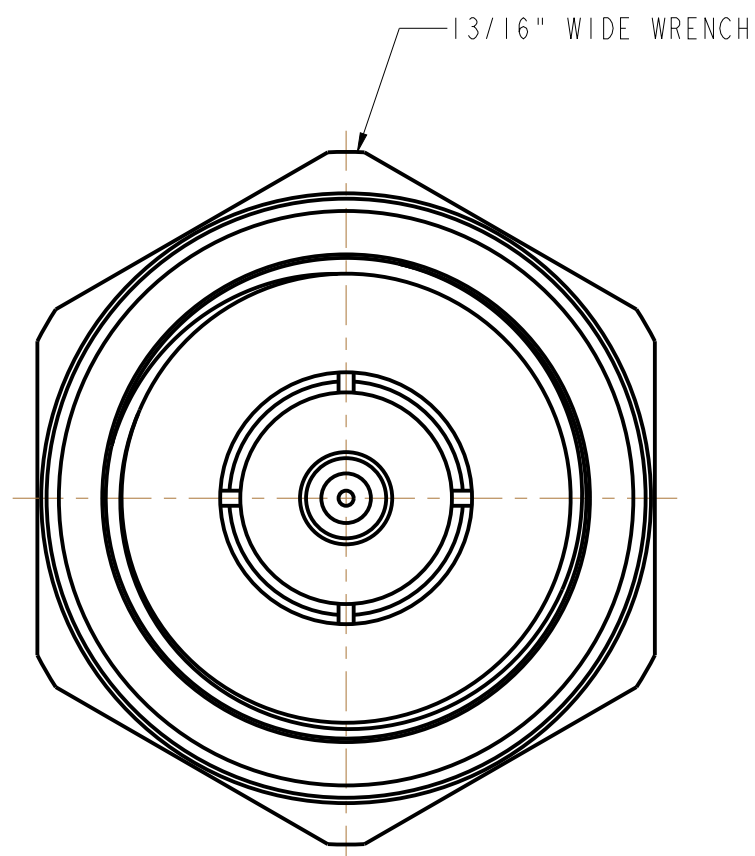
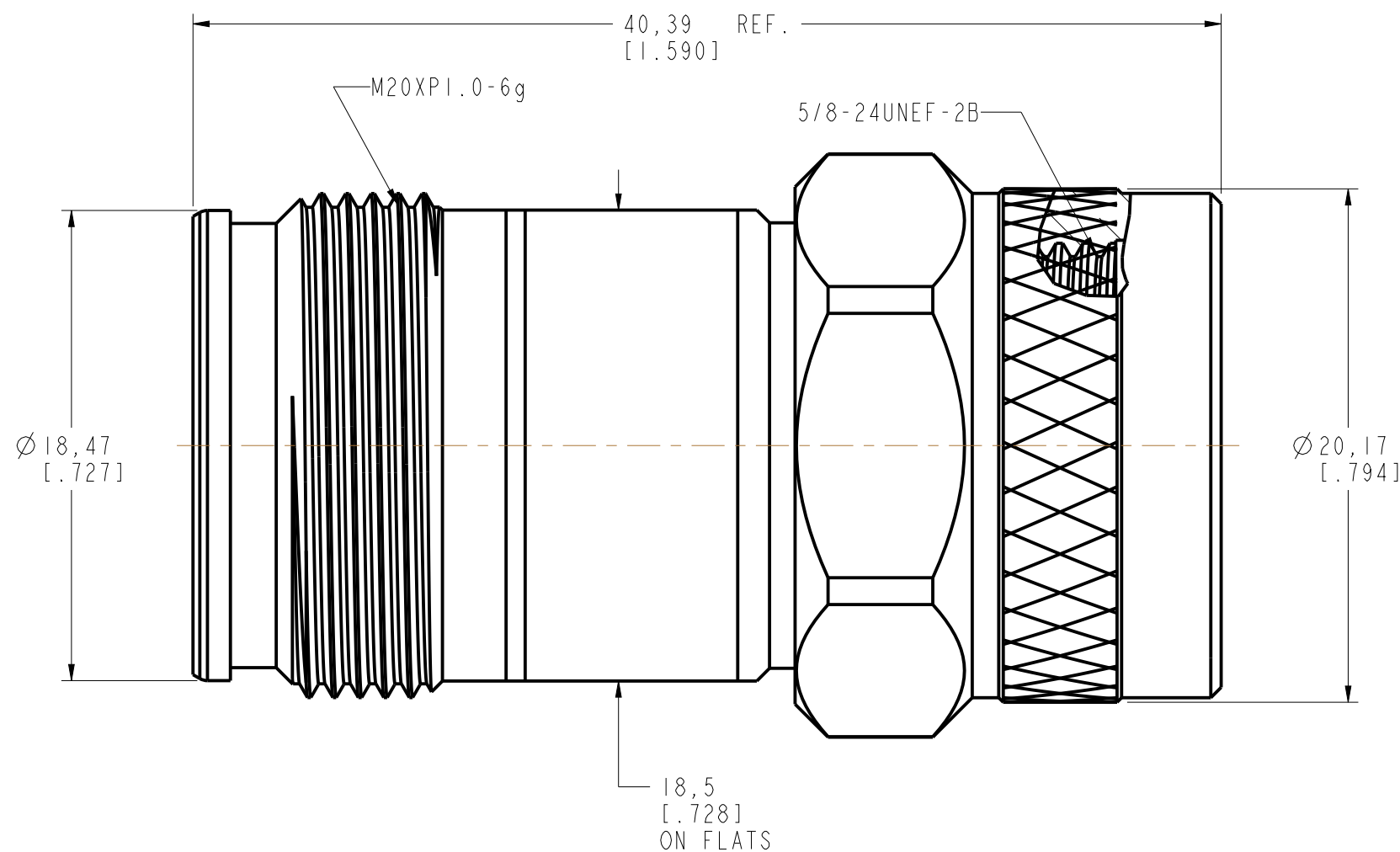
THIRD ANGLE PROJ.

REVISIONS

REV	DESCRIPTION	DATE	ECO	APPR
A	RELEASE TO MFG.	3/22/16	00201	KCE



SCALE 1.000



**CUSTOMER OUTLINE DRAWING**

ALL OTHER SHEETS ARE FOR INTERNAL USE ONLY

UNLESS OTHERWISE SPECIFIED, DIMENSIONS ARE IN METRIC AND TOLERANCES ARE:  
 <0.5mm ±0.05mm    0.5 - 6mm ±0.1mm    6 - 30mm ±0.2mm    30 - 120mm ±0.3mm    ANGLES ±1°

NOTICE - These drawings, specifications, or other data (1) are, and remain the property of Amphenol corp. (2) must be returned upon request; and (3) are confidential and not to be disclosed to any person other than those to whom they are given by Amphenol Corp. the furnishing of these drawings, specifications, or other data by Amphenol Corp., or to any other person to anyone for any purpose is not to be regarded by implication or otherwise in any manner licensing, granting rights to permitting such holder or any other person to manufacture, use or sell any product, process or design, patented or otherwise, that may in any way be related to or disclosed by said drawings, specifications, or other data.

MATERIAL	SEE NOTE
REFERENCE	EAR 6396 CONFIGURATION LEVEL: In Work
FINISH	

DRAWN	J.CHEN	DATE	27-Dec-14
ENGINEER		DATE	
APPROVED		DATE	
CAD FILE			

TITLE		N PLUG TO 4.3-10 JACK TYPE ADAPTER	
SCALE: 4.0:1.0	SHEET	2 OF 2	
DWG SIZE	B	REV	A

Amphenol RF	
www.amphenolrf.com	
DRAWING NO.	NM-4310F-ATS
ITEM NO.	03M-88F-AB-5-F
PART NO.	AD-4310JNP-1