



Main

Range	TeSys
Device short name	GV7AP
Product or component type	Adaptor plate
Range compatibility	TeSys TeSys GV7
Accessory / separate part category	Mounting accessory

Complementary

Mounting support	On enclosure door for mounting direct rotary handle
IP degree of protection	IP43
Product weight	0.22 lb(US) (0.1 kg)

Environment

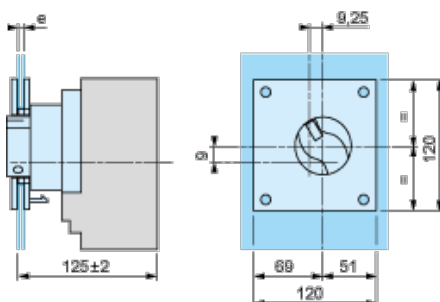
Offer Sustainability

Green Premium product	Green Premium product
Compliant - since 0744 - Schneider Electric declaration of conformity	Compliant - since 0744 - Schneider Electric declaration of conformity
Reference not containing SVHC above the threshold	Reference not containing SVHC above the threshold
Available	Available
Need no specific recycling operations	Need no specific recycling operations
WARNING: This product can expose you to chemicals including:	WARNING: This product can expose you to chemicals including:
Lead and lead compounds, which is known to the State of California to cause cancer and birth defects or other reproductive harm.	Lead and lead compounds, which is known to the State of California to cause cancer and birth defects or other reproductive harm.
For more information go to www.p65warnings.ca.gov	For more information go to www.p65warnings.ca.gov

Contractual warranty

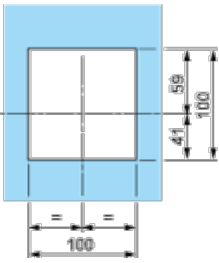
Warranty period	18 months
-----------------	-----------

Direct Rotary Handle GV7AP03 or GV7AP04 with Conversion Accessory GV7AP05

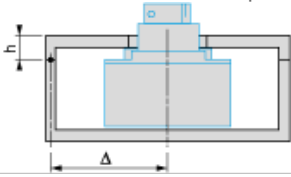


Front face cut-out

The information provided in this documentation contains general descriptions and/or technical characteristics of the products contained herein. This documentation is not intended as a substitute for and is not to be used for determining suitability or reliability of these products for specific user applications. It is the duty of any such user or integrator to perform the appropriate and complete risk analysis, evaluation and testing of the products with respect to the relevant specific application or use thereof. Neither Schneider Electric Industries SAS nor any of its affiliates or subsidiaries shall be responsible or liable for misuse of the information contained herein.



Enclosure viewed from top



Door cut-outs require a minimum distance between the centre of the circuit breaker and the door hinge point $\Delta \geq 100 + (h \times 5)$