

# HIGH POWER CONNECTORS

## Panel Mounts and Cord Plugs

PRODUCT  
BULLETIN  
544

### HPC Series

Switchcraft recently introduced a complete line of panel mount speaker connectors that are completely compatible with the Neutrik® Speakon® 4 pole series. We are now introducing a complete line of cable mounts as well. The complete HPC Series offers both panel mount *and* cord mount connectors.

The HPC panel mounts have been updated with new silver-plated contact materials that boost the contact ratings to **30A per UL 1977 on PC mount versions, 50A per UL 1977 on Faston® versions**. They are still available with either 0.100" depth flanges or 0.200" depth flanges. The 0.200" depth flange allows for rear mounting of the HPC Series, and proper mating of all cord plugs. The panel mount versions are available with either 0.187" or 0.250" Faston® terminals, and either straight or right angle PC mount terminals. The right angle PC mount version also has, as an option, a mounting post which allows the connector to snap onto the PC board for wave soldering.

The HPC cord plugs are available in either straight, right angle, or as an in-line. The in-line version mates with either the straight or right angle cord plug, allowing the end user to extend cable runs. All cord plugs are compatible with Speakon® panel mounts. The in-line mates with our HPC cord plugs, as well as Speakon® cord plugs. The unique feature of the HPC series cord plugs are the "push to lock" feature, similar to the connection of an XLR connector. The HPC cord plugs, when mated to either HPC panel mounts or Speakon® panel mounts do not require a 1/4" turn to engage. Simply push the connector in until it locks. To disengage, push forward on the latch lever and pull the connector out. This feature eliminates the need to remember to turn the connector to make contact. All HPC cord plugs utilize 0.250" Faston® terminals, which allow for easy assembly, and make it easy to change cord plugs. To change from a straight cord plug to an in-line cord plug, back off the strain relief nut, twist off the handle, disconnect the Faston® terminals, fasten the new cord connector, twist on the handle and the strain relief. Barbs on the handle keep the handle from vibrating loose from the front shell.

Both HPC panel mounts and cord plugs incorporate a built-in gasket, which allows them to meet IP 25 harsh environment ratings, as well as IEC 529 and IEC 1010-1 safety ratings.

### Features and Benefits

- Completely compatible with Neutrik® Speakon® 4 pole connectors
- 30A rating per UL 1977 on PC mount versions
- 50A rating per UL 1977 on Faston® versions
- Panel mounts have two different Faston® terminal sizes, 0.187" and 0.250"

Continued

# Switchcraft®

w w w . s w i t c h c r a f t . c o m

Speakon® is a registered trademark of Neutrik Inc



## Features and Benefits *continued*

- Panel mounts offered with two different flange depths, 0.100" and 0.200"
- 0.200" depth flange offers easy rear mounting
- Right angle or straight PC board terminals on panel mounts
- Built in gasket gives all HPC connectors IP 25 environmental ratings
- All HPC Series meet IEC 529 and IEC 1010-1 safety ratings
- Cord plug versions offer "push to lock" design, no 1/4" turn to engage
- Cord plug versions accept 10 AWG wire, 0.560" cable OD max

## Markets

- Loudspeakers
- Power audio amplifiers
- Medical
- Process Controls

## Specifications

### Materials

**Housings:** Thermoplastic  
UL 94V-O rated  
**Seal Rings:** Thermoplastic rubber  
**Contacts:** Silver-plated over  
copper alloy

### Electrical

**PC Terminals Current Rating:** 30A per  
UL 1977  
**Faston® Terminals Current Rating:**  
50A RMS w/10AWG wire, normal  
ambient, per UL 1977  
**Voltage Rating:** 1,500 AC RMS, Per  
Mil-Std 202 Method 301  
**Insulation Resistance:** > 2T Ohms  
**Contact Resistance:** 1m Ohm,  
1.5mOhm after 1,000  
insertion/withdrawals

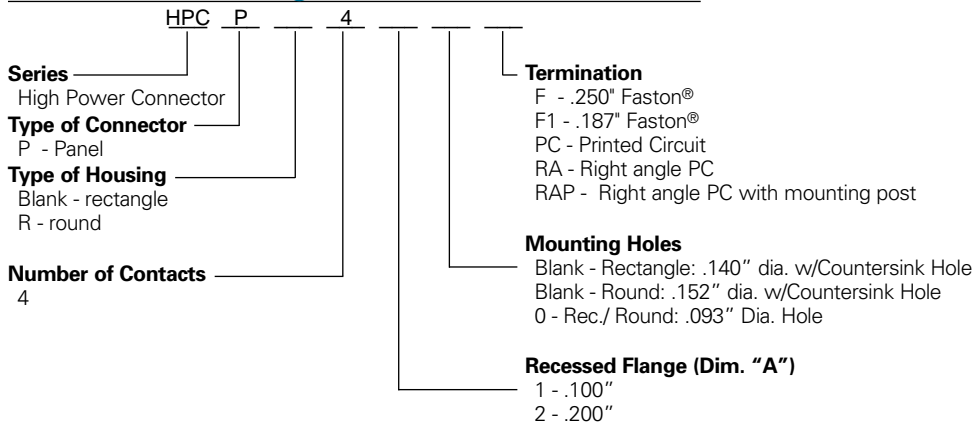
### Mechanical

**Shock:** Mil-Std 202, Method 213B  
Cond.K  
**Vibration:** Mil-Std 202, Method 201A  
**Life:** 1,000 insertion/withdrawals  
**Cable Range:** 0.560" OD max

### Environmental

**Salt Spray:** Mil-Std 202, Method 101D  
Cond. B  
**Thermal Shock:** Mil-Std 202, Method  
107G  
**Temperature Limits:** -55 C to +85 C  
**Moisture Resistance:** Mil-Std 202,  
Method 106E  
**Life@Ambient Temperature:** Mil-Std  
202, Method 108A  
**Touch Proof:** IEC 65 and 1010-1  
**Weather Tightness:** IEC 529, IP 25

## Panel Mount Ordering information



## Cord Mount Ordering Information

Part Number	Description	Part Number	Description
HPCC4F	Straight Cord Plug	HPCI4F	Inline Cord Plug
HPCC4FRAF	Right Angle Cord Plug		



FOR ALL TERMINAL CONFIGURATIONS SHOWN, ROUND HOUSING COUNTERPARTS EXIST

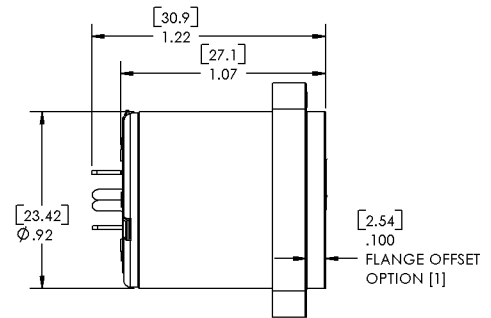
[F] TERMINALS



[F1] TERMINALS



[PC] TERMINALS



STRAIGHT 'PC' TERMINALS  
COMPONENT SIDE

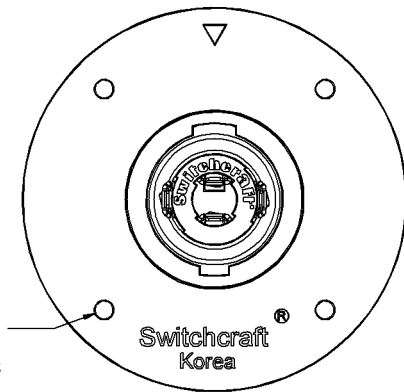
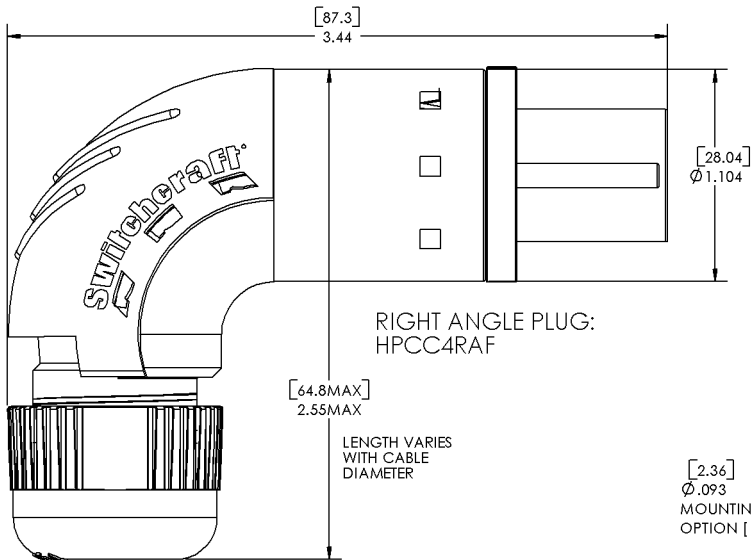


[RA] + [RAP] TERMINALS

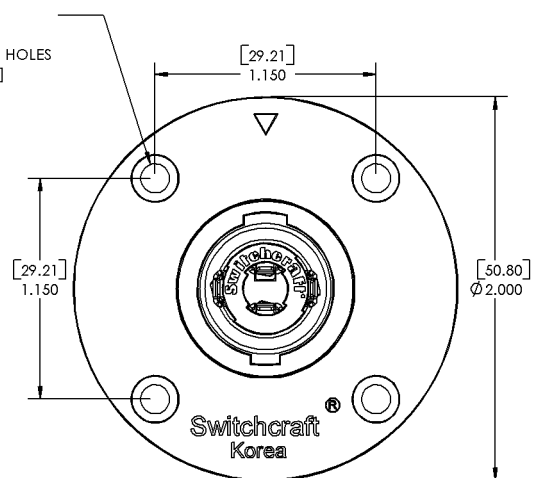
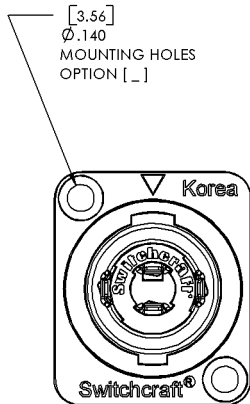
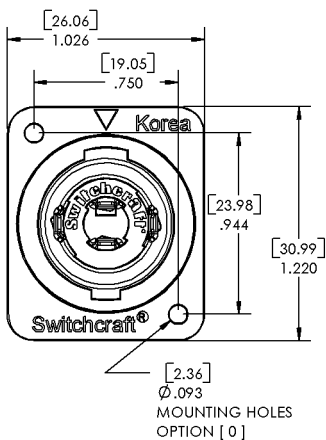


RIGHT ANGLE 'RA' PC TERMINALS  
COMPONENT SIDE

MOUNTING POST [RAP] OPTION



[2.36]  
Ø .093  
MOUNTING HOLES  
OPTION [ \_ ]



DIMENSIONS FOR REFERENCE ONLY