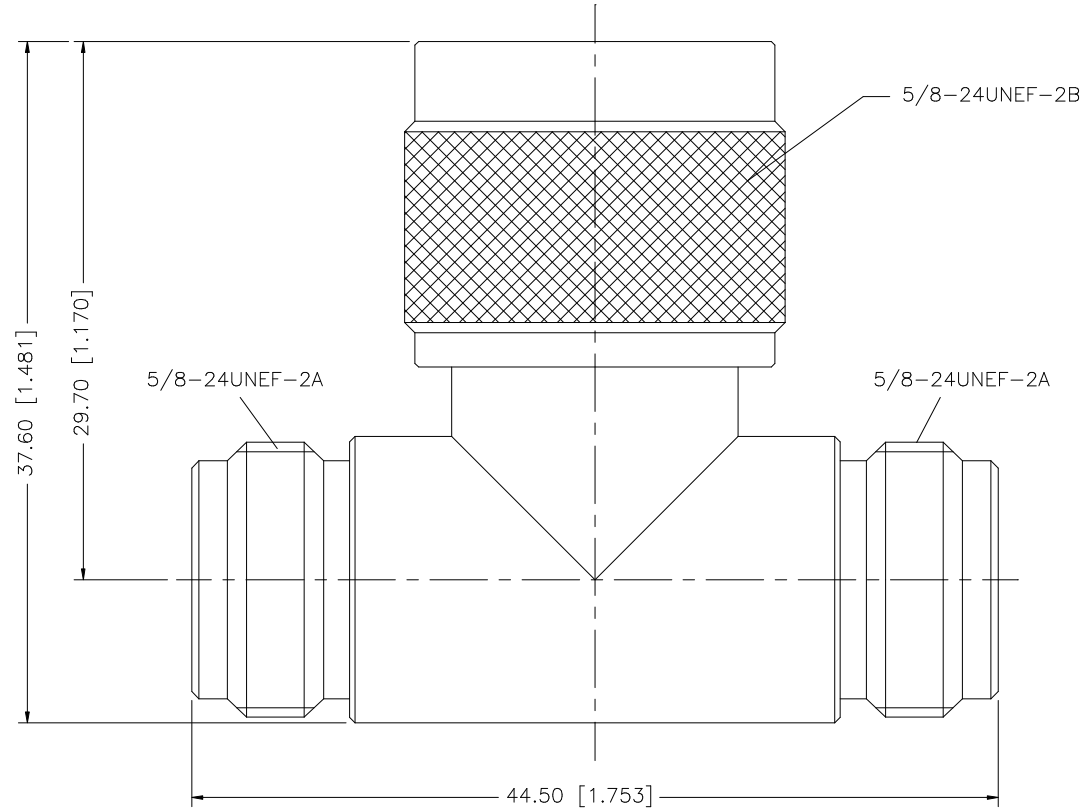


REV.	DATE	DESCRIPTION
NC	06/03/96	INITIAL RELEASE
A	10/01/06	UPDATE DRAWING FORMAT
B	10/19/06	REVISE BODY PLATING TO NEXCOTE



8				
7				
6				
5				
4				
3	CONTACT PIN	BRASS	GOLD	3
2	INSULATOR	TEFLON	NATURAL	1
1	BODY	BRASS	NEXCOTE	1
	DESCRIPTION	MATERIAL	FINISH	QTY

UNLESS OTHERWISE SPECIFIED DIMENSIONS ARE IN MILLIMETERS. DIMENSIONS IN [ ] ARE IN INCHES AND FOR CUSTOMER REFERENCE ONLY.

UNLESS OTHERWISE SPECIFIED TOLERANCES FOR MILLIMETERS ARE:  
0.5 - 8mm ± 0.20mm  
8 - 30mm ± 0.40mm  
30 - 120mm ± 0.50mm

UNLESS OTHERWISE SPECIFIED TOLERANCES FOR INCHES ARE:  
.020 - .315 = ± 0.007"  
.315 - 1.180 = ± 0.015"  
1.180 - 4.724 = ± 0.020"

DO NOT SCALE DRAWING

APPROVALS	DATE
DRAWN G.R.S.	10/19/06
CHECKED	
ISSUED	
SHEET 1 OF 1	
CAD FILE	C:/172/172125.DWG

<b>Amphenol Connex</b>			
PART DESCRIPTION <b>N "T" ADAPTER JACK-PLUG-JACK</b>			
PART NO. <b>172125</b>			
DWG. NO.	172125.DWG	REV.	B
SIZE	A	SCALE	NA