

LTC3876EUHF

High Efficiency, Dual Output DDR Power Supply

DESCRIPTION

Demonstration circuit 1631A is a dual output DDR2/3 power supply operating with a switching frequency of 400kHz over an input voltage range of 4.5V to 14V. The fixed on-time valley current mode control of the LTC[®]3876 allows for a fast load step response (see Figure 3). The load step response can be tested with the onboard load step circuit and a bench pulse generator.

The demo board uses a high density, two sided drop-in layout. The entire converter, excluding the bulk output and input capacitors, fits within a compact 1.5" × 1.0" area on the board. The package style for the LTC3876EUHF is a 38-pin 5mm × 7mm QFN with an exposed ground pad.

The main features of the board are listed below:

- MODE jumper to program either discontinuous mode (DCM) or forced continuous mode (FCM) at light or no load.
- EXTVCC pin.
- PLLIN pin to synchronize the converter to an external clock.
- Remote sensing for V_{DDQ} .
- RUN pin, PGOOD pin and TRACK/SS pin.

Design files for this circuit board are available at <http://www.linear.com/demo>

LT, LT, LTC, LTM, Linear Technology and the Linear logo are registered trademarks of Linear Technology Corporation. All other trademarks are the property of their respective owners.

PERFORMANCE SUMMARY (T_A = 25°C)

PARAMETER	CONDITIONS	VALUE
Minimum Input Voltage		4.5V
Maximum Input Voltage		14V
Output Voltage V_{DDQ}	$I_{DDQ} = 0A$ to 20A, $V_{IN} = 4.5V$ to 14V	1.8V/1.5V ± 2%
Output Voltage V_{TT}	$I_{TT} = 0A$ to 10A, $V_{IN} = 4.5V$ to 14V, $V_{TTR} = 0.9V/0.75V$	$V_{TTR} \pm 15mV$
V_{DDQ} Maximum Output Current, I_{DDQ}	$V_{IN} = 4.5V$ to 14V, $V_{DDQ} = 1.5V$	20A
V_{TT} Maximum Output Current, I_{TT}	$V_{IN} = 4.5V$ to 14V, $V_{TT} = 0.75V$	10A
Nominal Switching Frequency		400kHz
Efficiency See Figure 2	$V_{DDQ} = 1.5V$, $I_{DDQ} = 20A$, $V_{IN} = 12V$	87%

QUICK START PROCEDURE

Demonstration circuit 1631A is easy to set up to evaluate the performance of the LTC3876EUHF. Please refer to Figure 1 for proper measurement equipment setup and follow the procedure below.

- 1) With power off, connect the input supply, load and meters as shown in Figure 1. Preset the load to 0A and V_{IN} supply to be 0V. Place jumpers in the following positions:

JP1	MODE	CCM
JP2	RUN1	ON
JP4	VFB1	DDR3($V_{DDQ} = 1.5V$)

Set jumper JP4 to DDR2 to make V_{DDQ} equal to 1.8V.

- 2) Adjust the input voltage to be between 4.5V to 14V. V_{DDQ} should be $1.5V \pm 2\%$.
 V_{TT} should be $0.75V \pm 2\%$.
- 3) Next, apply 20A load to V_{DDQ} and recheck V_{DDQ} voltage.

- 4) Apply 10A load to V_{TT} and recheck V_{TT} voltage.
- 5) Once the DC regulation is confirmed, observe the output voltage ripple, load step response, efficiency and other parameters.
- 6) (Optional) To check the current sinking capability of the V_{TT} output, connect a power resistor between V_{IN} and V_{TT} . The sinking current I_{SINK} can be calculated by $I_{SINK} = (V_{IN} - V_{TT})/R_{LOAD}$. The sinking current should not be more than 10A. The load resistor should be able to take maximum power of $P_{LOAD} = (V_{IN} - V_{TT}) \cdot I_{SINK}$. If an active load is used in the V_{TT} sinking current test, the ground of the active load should be floated/isolated.

Note 1. Use the BNC connectors labeled V_{DDQ} or V_{TT} to measure the output voltage ripple,

Note 2. Do not apply the load from the V_{DDQ}^+ turret to the V_{DDQ}^- turret or from the V_{TT}^+ turret to the V_{TT}^- turret. These turrets are only intended to monitor the voltage across COUT1 and COUT5 respectively. Heavy load currents applied across these turrets may damage the converter.

LOAD STEP TRANSIENT TESTING

Demonstration circuit 1631A provides a simple load step circuit consisting of a MOSFET and sense resistor for each rail. To apply a load step, follow the steps below.

- 1) Preset the amplitude of a pulse generator to 0.0V and the duty cycle to 5% or less.
- 2) Connect the scope to the V_{DDQ} BNC connectors for the rail under test with a coax cable. To monitor the load step current, connect the scope probe across the IO1(2)STEP and GND turrets for that rail.

- 3) Connect the output of the pulse generator to the IO1(2)STEP CLK turret for the rail under test and connect the return to one of the GND turrets.

- 4) With the converter running, slowly increase the amplitude of the pulse generator output to provide the desired load step pulse height. The scaling for the LOAD STEP signal is 2.5mV/A.

LOAD STEP TRANSIENT TESTING

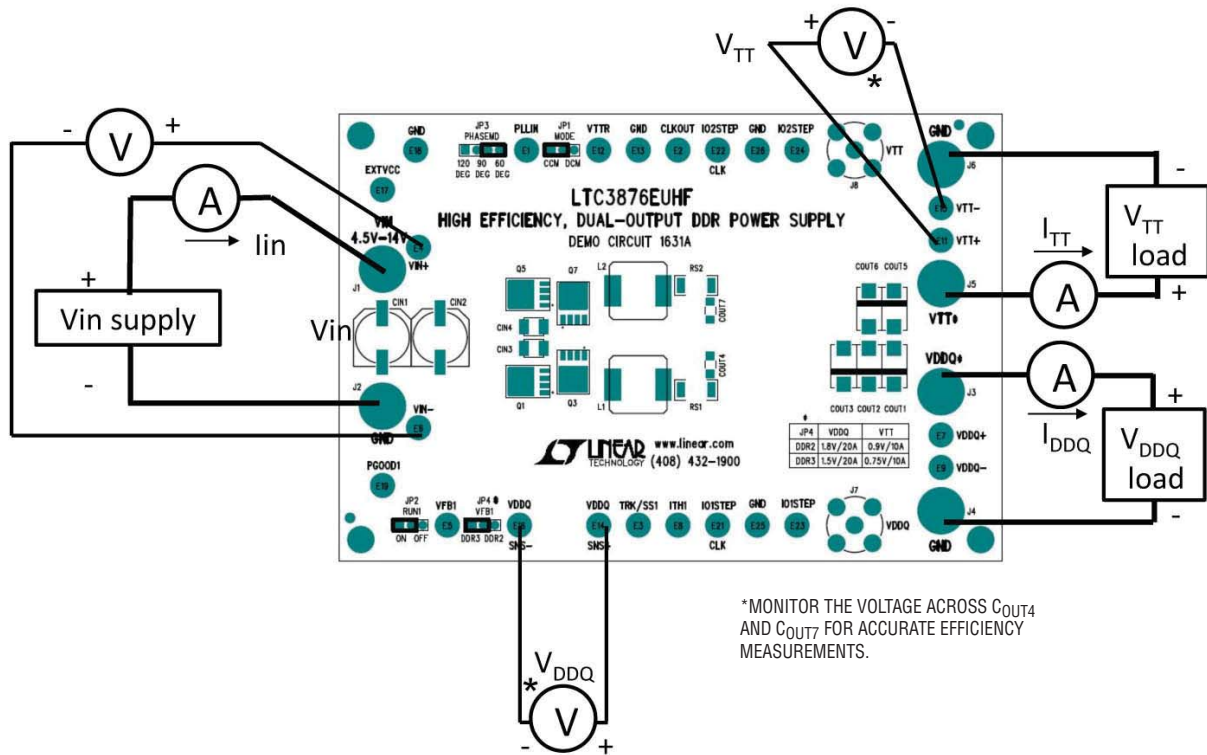


Figure 1. Proper Measurement Equipment Setup

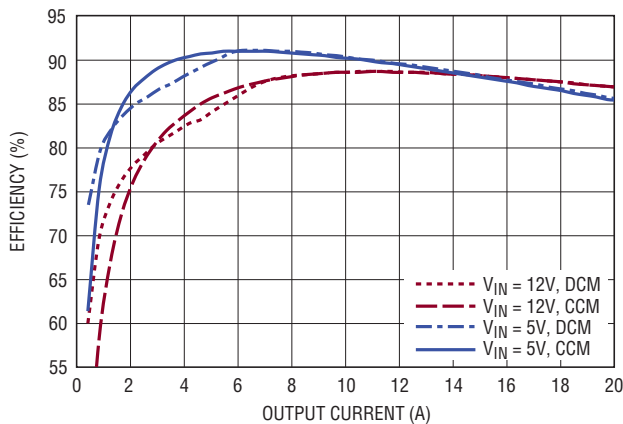


Figure 2. Efficiency Curves for the DC1631A VDDQ

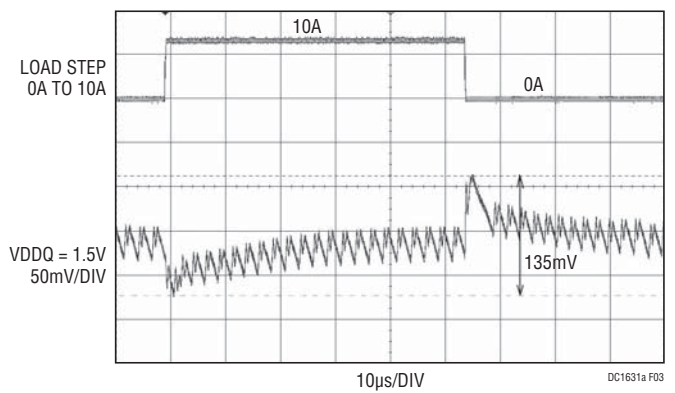


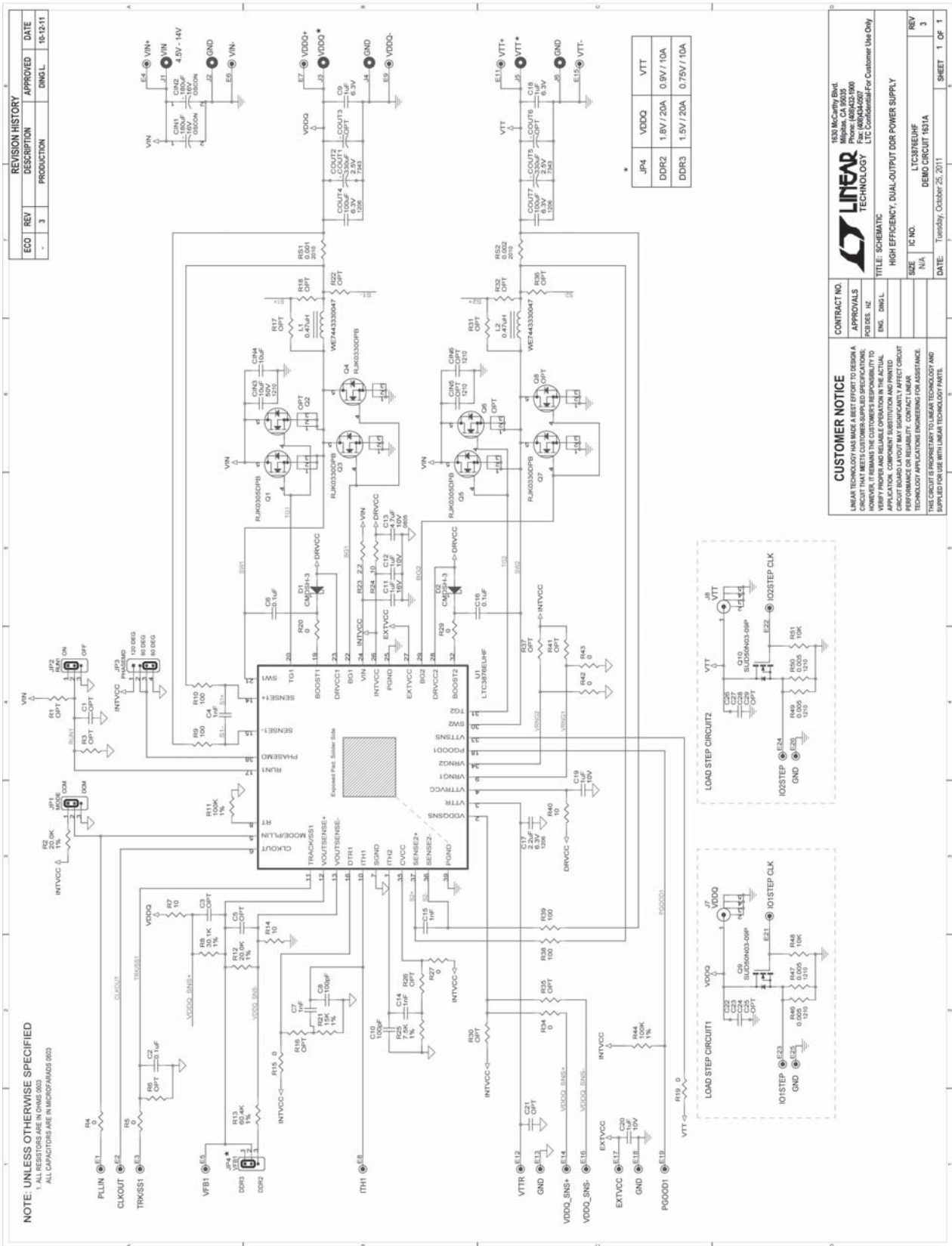
Figure 3. Load Step Response of the VDDQ on the DC1631A at $V_{IN} = 12V$. $C_{OUT} = 2 \times$ Sanyo 2R5TPE330M9 || $1 \times 100\mu F$ X5R 6.3V 1206, $L = 0.47\mu H$, $f_{SW} = 400kHz$

DEMO MANUAL DC1631A

PARTS LIST

ITEM	QTY	REFERENCE	PART DESCRIPTION	MANUFACTURER/PART NUMBER
Required Circuit Components				
1	2	C8, C10	CAP, 0603 100pF 10% 25V X7R	AVX 06033C101KAT
2	4	C4, C7, C14, C15	CAP, 0603 1nF 10% 50V X7R	AVX 06035C102KAT
3	3	C2, C6, C16	CAP, 0603 0.1μF 10% 25V X7R	TDK C1608X7R1E104K
4	6	C9, C11, C12, C18, C19, C20	CAP, 0603 1μF 10% 16V X5R	AVX 0603YD105KAT
6	1	C17	CAP, 1206 2.2μF 10% 10V X7R	TAIYO YUDEN LMK316B7225KL-T
7	1	C13	CAP, 0805 4.7μF 10% 10V X5R	TAIYO YUDEN LMK212BJ475KG-T
8	1	CIN3	CAP, 1210 10μF 20% 50V X5R	TAIYO YUDEN UMK325BJ106MM-T
9	2	COUT4, COUT7	CAP, 1206 100μF 20% 6.3V X5R	MURATA GRM31CR60J107ME39L
10	3	COUT1, COUT2, COUT5	CAP, 7343 330μF 20% 2.5V POSCAP	SANYO 2R5TPE330M9
11	1	CIN4	CAP, 1210 10μF 10% 25V X7R	AVX, 12103C106KAT2A
12	2	D2, D1	DIODE, CMDSH-3 SOD323	CENTRAL SEMI. CMDSH-3TR
13	2	L1, L2	IND, 0.47μH	WE 7443330047
14	2	Q1, Q5	XSTR, N-CHANNEL MOSFET	RENESAS RJK0305DPB
15	3	Q3, Q4, Q7	XSTR, N-CHANNEL MOSFET	RENESAS RJK0330DPB
16	1	RS1	RES, 2010 0.001Ω 1% 1/2W	VISHAY WSL20101L000FEA
17	1	RS2	RES, 2010 0.002Ω 1% 1/2W	VISHAY WSL20102L000FEA
18	10	R4, R5, R15, R19, R20, R27, R29, R34, R42, R43	RES, 0603 0Ω JUMPER	VISHAY CRCW06030000Z0EA
19	1	R23	RES, 0603 2.2Ω 5% 1/10W	VISHAY CRCW06032R20JNEA
20	4	R7, R14, R24, R40	RES, 0603 10Ω 5% 1/10W	VISHAY CRCW060310R0JNEA
21	4	R9, R10, R38, R39	RES, 0603 100Ω 5% 1/10W	VISHAY CRCW0603100RJNEA
22	1	R25	RES, 0603 7.50kΩ 1% 1/10W	VISHAY CRCW06037K50FKEA
23	2	R2, R12	RES, 0603 20kΩ 1% 1/10W	VISHAY CRCW060320K0FKEA
24	1	R21	RES, 0603 15kΩ 1% 1/10W	VISHAY CRCW060315K0FKEA
25	1	R8	RES, 0603 30.1kΩ 1% 1/10W	VISHAY CRCW060330K1FKEA
26	1	R13	RES, 0603 60.4kΩ 1% 1/10W	VISHAY CRCW060360K4FKEA
27	2	R11, R44	RES, 0603 100kΩ 1% 1/10W	VISHAY CRCW0603100KFKEA
28	1	U1	IC, LTC3876EUHF	LINEAR TECHNOLOGY LTC3876EUHF
29	2	L1, L2	IND, 0.47μH	WE 7443330047
Additional Demo Board Circuit Components				
1	1	CIN1, CIN2	CAP, 180μF 20% 16V OSCON	SANYO 16SVP180M
2	8	C22 TO C29	CAP, 1206 1μF 10% 16V X5R	AVX 1206YD105KAT
3	4	R46, R47, R49, R50	RES, 1206 0.005Ω 1% 1/4W	VISHAY WSL12065L000FEA
4	2	R48, R51	RES, 0603 10kΩ 1% 1/10W	VISHAY CRCW060310K0FKEA
5	2	Q9, Q10	N-Channel 30-V MOSFET, TO-252	VISHAY, SUD50N03-09P-E3
6	24	E1 TO E9, E11 TO E19, E21 TO E26	TESTPOINT, TURRET, 0.094" PBF	MILL-MAX, 2501-2-00-80-00-00-07-0
Hardware/Components (For Demo Board Only)				
1	1	JP3	HEADER, 4PIN	SAMTEC, TMM104-02-L-S
2	3	JP1, JP2, JP4	HEADER, 3PIN, 2mm	SAMTEC, TMM103-02-L-S
3	4	XJP1, XJP2, XJP3, XJP4	SHUNT, 2mm	SAMTEC, 2SN-BK-G
4	4	MTG 4 CORNERS	STAND-OFF, NYLON (SNAP ON), 0.25" TALL	KEystone, 8831
5	6	J1, J2, J3, J4, J5, J6	JACK, BANANA	KEystone 575-4
6	2	J7, J8	CONN., VERT. PC-MNT BNC 50Ω	CONNEX 112404

SCHEMATIC DIAGRAM



CUSTOMER NOTICE
 LINEAR TECHNOLOGY PROVIDES THIS SCHEMATIC AS A GUIDE ONLY. CUSTOMERS ARE RESPONSIBLE FOR VERIFYING THE SCHEMATIC IS CORRECT FOR THEIR APPLICATION. CUSTOMERS SHOULD VERIFY THE ACTUAL PERFORMANCE OF THE CIRCUIT IN THEIR APPLICATION. CUSTOMERS SHOULD CONTACT LINEAR TECHNOLOGY FOR ASSISTANCE WITH APPLICATIONS ENGINEERING FOR ASSISTANCE. THIS CIRCUIT IS PROPRIETARY TO LINEAR TECHNOLOGY AND IS SUPPLIED FOR USE WITH LINEAR TECHNOLOGY PARTS.

CONTRACT NO.
 APPROVALS
 FOR DES. INZ
 ENG. DING L.

IC NO. LTC3890DFH
DEMO CIRCUIT 1631A

DATE: Tuesday, October 25, 2011
SHEET 1 OF 1

LINEAR TECHNOLOGY
 1630 McCarthy Blvd.
 Milpitas, CA 95035
 Tel: (408) 255-3000
 Fax: (408) 255-3007
 LTC Confidential For Customer Use Only

TITLE: SCHEMATIC
HIGH EFFICIENCY, DUAL-OUTPUT DDR POWER SUPPLY



Information furnished by Linear Technology Corporation is believed to be accurate and reliable. However, no responsibility is assumed for its use. Linear Technology Corporation makes no representation that the interconnection of its circuits as described herein will not infringe on existing patent rights.

DEMO MANUAL DC1631A

DEMONSTRATION BOARD IMPORTANT NOTICE

Linear Technology Corporation (LTC) provides the enclosed product(s) under the following **AS IS** conditions:

This demonstration board (DEMO BOARD) kit being sold or provided by Linear Technology is intended for use for **ENGINEERING DEVELOPMENT OR EVALUATION PURPOSES ONLY** and is not provided by LTC for commercial use. As such, the DEMO BOARD herein may not be complete in terms of required design-, marketing-, and/or manufacturing-related protective considerations, including but not limited to product safety measures typically found in finished commercial goods. As a prototype, this product does not fall within the scope of the European Union directive on electromagnetic compatibility and therefore may or may not meet the technical requirements of the directive, or other regulations.

If this evaluation kit does not meet the specifications recited in the DEMO BOARD manual the kit may be returned within 30 days from the date of delivery for a full refund. **THE FOREGOING WARRANTY IS THE EXCLUSIVE WARRANTY MADE BY THE SELLER TO BUYER AND IS IN LIEU OF ALL OTHER WARRANTIES, EXPRESSED, IMPLIED, OR STATUTORY, INCLUDING ANY WARRANTY OF MERCHANTABILITY OR FITNESS FOR ANY PARTICULAR PURPOSE. EXCEPT TO THE EXTENT OF THIS INDEMNITY, NEITHER PARTY SHALL BE LIABLE TO THE OTHER FOR ANY INDIRECT, SPECIAL, INCIDENTAL, OR CONSEQUENTIAL DAMAGES.**

The user assumes all responsibility and liability for proper and safe handling of the goods. Further, the user releases LTC from all claims arising from the handling or use of the goods. Due to the open construction of the product, it is the user's responsibility to take any and all appropriate precautions with regard to electrostatic discharge. Also be aware that the products herein may not be regulatory compliant or agency certified (FCC, UL, CE, etc.).

No License is granted under any patent right or other intellectual property whatsoever. **LTC assumes no liability for applications assistance, customer product design, software performance, or infringement of patents or any other intellectual property rights of any kind.**

LTC currently services a variety of customers for products around the world, and therefore this transaction **is not exclusive**.

Please read the DEMO BOARD manual prior to handling the product. Persons handling this product must have electronics training and observe good laboratory practice standards. **Common sense is encouraged.**

This notice contains important safety information about temperatures and voltages. For further safety concerns, please contact a LTC application engineer.

Mailing Address:

Linear Technology
1630 McCarthy Blvd.
Milpitas, CA 95035

Copyright © 2004, Linear Technology Corporation