

4

3

2

1

THIS DRAWING IS UNPUBLISHED.

RELEASED FOR PUBLICATION

2008

© COPYRIGHT 2008 BY -

ALL RIGHTS RESERVED.

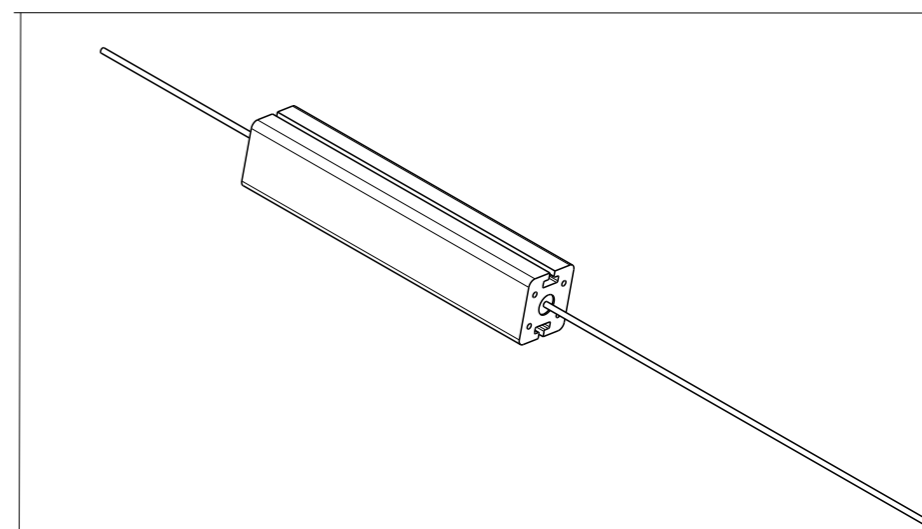
REVISIONS

P	LTR	DESCRIPTION	DATE	DWN	APVD
	BA1	ECR-17-011125	01AUG2017	RK	TN

FOR FURTHER INFORMATION SEE DATA SHEET FOR SERIES TYPE SBC(SQUARE CERAMIC), HIGH POWER RESISTORS



RoHS Compliant



THIS DRAWING IS A CONTROLLED DOCUMENT.

DIMENSIONS:	TOLERANCES UNLESS OTHERWISE SPECIFIED:
mm	
	0 PLC $\pm 0.2$
	1 PLC $\pm 0.1$
	2 PLC $\pm$
	3 PLC $\pm$
	4 PLC $\pm$
	ANGLES $\pm 5^\circ$
MATERIAL	FINISH
-	-
-	-

DWN	28 JULY 2010
CHK	28 JULY 2010
APVD	28 JULY 2010
NAME	STEPHEN.P
PRODUCT SPEC	STEPHEN.P
APPLICATION SPEC	-
WEIGHT	10g
CUSTOMER DRAWING	

		TE Connectivity	
HIGH POWER RESISTOR TYPE SBC (SQUARE CERAMIC) SERIES SBCHE11			
SIZE	CAGE CODE	DRAWING NO	RESTRICTED TO
A3	00779	C-1623728	-
SCALE	SHEET	OF	REV
4:1	1	1	BA1