

INTRODUCTIONS

1. Designed to meet globally accepted IEC publication 320 Class 1, that allows users to comply with industry standard in power entry requirement.
2. Connector for cold condition, with pin temperature 70°C max.
3. Nickel-plated brass pins for soldering on PC board.
4. SK-1010: UL, CSA, VDE, CCC approved.
SK-1019: UL, CSA, VDE, CCC approved.
SK-1013: UL, CSA approved.

SPECIFICATIONS

1. Rated voltage: 250VAC
2. Minimum insulation resistance at 500VDC: 10M OHM
3. Dielectric strength (one minute): 2000VAC between pins
4. Flammability class: UL 94V-0

MECHANICAL CONSTRUCTION



SK-1010

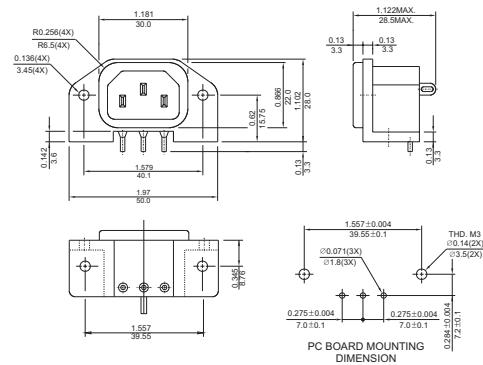
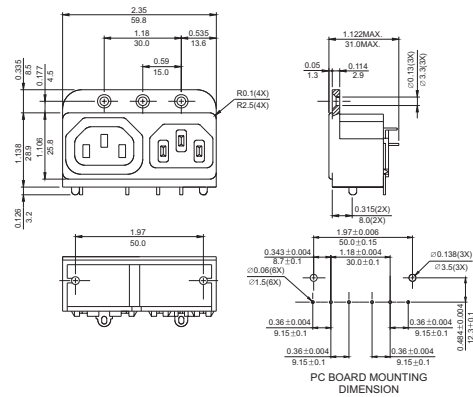
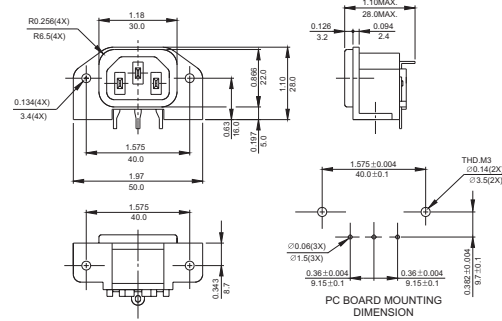


SK-1013



SK-1019

DELTA PART NUMBER		SK-1010, SK-1019	SK-1013
RATED CURRENT (AT 250VAC)	UL/CSA	15A	*10A/15A
	VDE	10A	-
	NORDIC	10A	-
CONNECTOR TYPE	MALE	△	△
	FEMALE		△



UNIT: INCH/mm