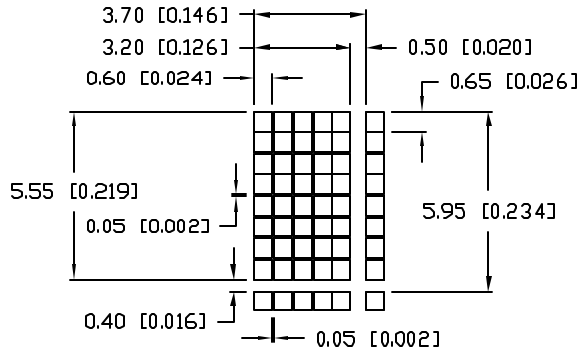
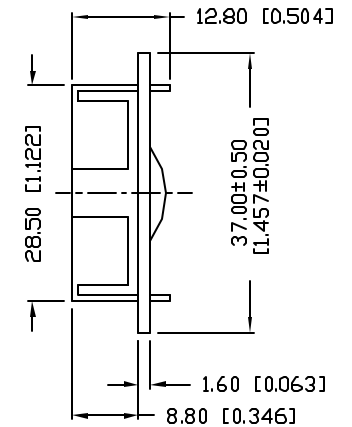
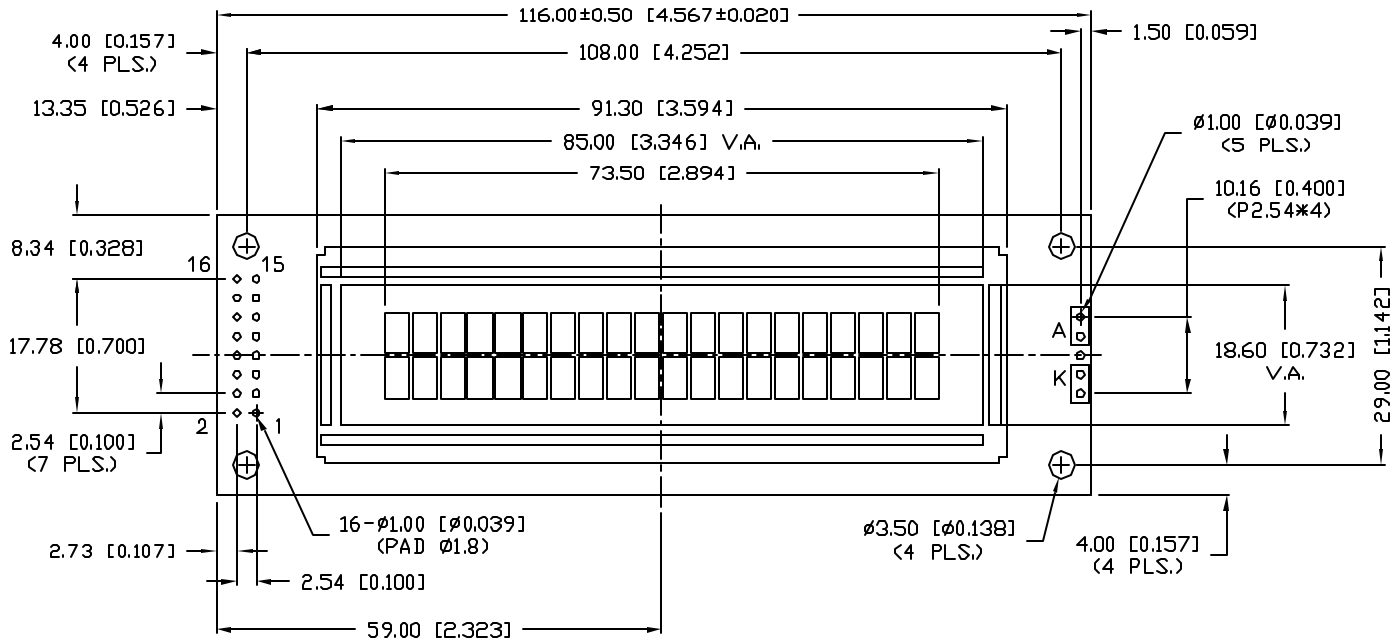


PART NUMBER		REV.
LCM-H02002DSF-Y		
REV.	E.C.N. NUMBER AND REVISION COMMENTS	DATE

CHARACTER DETAIL



CAUTION: STATIC SENSITIVE DEVICE
FOLLOW PROPER E.S.D. HANDLING PROCEDURES
WHEN WORKING WITH THIS PART.



*UNLESS OTHERWISE SPECIFIED TOLERANCE IS ±0.25mm (±0.010")

REV.	PART NUMBER
	LCM-H02002DSF-Y

CONFIDENTIAL INFORMATION
THE INFORMATION CONTAINED IN THIS DOCUMENT IS THE PROPERTY OF LUMEX INC. EXCEPT AS SPECIFICALLY AUTHORIZED IN WRITING BY LUMEX INC., THE HOLDER OF THIS DOCUMENT SHALL KEEP ALL INFORMATION CONTAINED HEREIN CONFIDENTIAL AND SHALL PROTECT SAME IN WHOLE OR IN PART FROM DISCLOSURE AND DISSEMINATION TO ALL THIRD PARTIES.



290 E. HELLEN ROAD
PALATINE, ILLINOIS 60067
PHONE: 1-847-359-2790
WEB: HTTP://WWW.LUMEX.COM

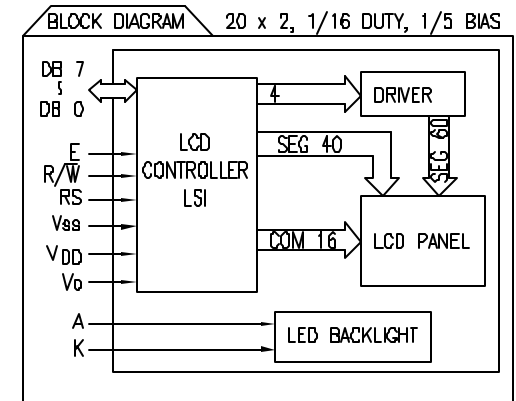
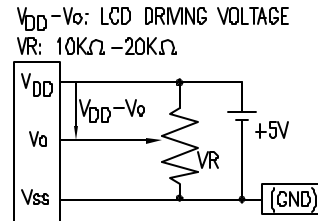
5.55mm CHARACTER HEIGHT, 5 x 8 DOT MATRIX,
20 x 2 CHARACTER LCD MODULE, STN, YELLOW,
TRANSFLECTIVE, 1/16 DUTY, 1/5 BIAS, EXTENDED TEMP.

RELIABILITY NOTE
OUR MANY YEARS OF EXPERIENCE DATA ACCUMULATION INDICATE THAT SOLDER HEAT IS A MAJOR CAUSE OF EARLY AND FUTURE FAILURE. PLEASE PAY ATTENTION TO YOUR SOLDERING PROCESS.

DRAWN BY:	CHECKED BY:	APPROVED BY:	DATE: 8-17-98
SA/DU			PAGE: 1 OF 2
			SCALE: N/A

PART NUMBER		REV.
LCM-H02002DSF-Y		
REV.	E.C.N. NUMBER AND REVISION COMMENTS	DATE

PIN CONFIGURATION			FUNCTION	
PIN NO.	SYMBOL	LEVEL		
1	V _{SS}	-	POWER SUPPLY	GND (0V)
2	V _{DD}	-		5V
3	V _O	-		FOR LCD DRIVE
4	RS	H/L	REGISTER SELECT SIGNAL H: DATA INPUT L: INSTRUCTION INPUT	
5	R/W	H/L	H: DATA READ (MODULE-->MPU) L: DATA WRITE (MODULE<<--MPU)	
6	E	H,H->L	ENABLE	
7~14	DB0~DB7	H/L	DATA BUS—SOFTWARE SELECTABLE 4 OR 8 BIT MODE.	
15	A	-	ANODE	LED BACKLIGHT
16	K	-	CATHODE	LED BACKLIGHT



ELECTRICAL CHARACTERISTICS		V _{DD} =4.7V to 5.3V, T _A =25°C		STANDARD VALUE			UNIT	APPLICABLE TERMINAL
ITEM	SYMBOL	CONDITION	MIN.	TYP.	MAX.			
SUPPLY VOLTAGE FOR LOGIC	V _{DD} -V _{SS}	-	-	5.0	-	V	V _{DD}	
SUPPLY CURRENT FOR LOGIC	I _{DD}	V _{DD} =5V	-	2.0	3.0	mA	V _{DD}	
INPUT VOLTAGE	HIGH	V _{IH}	-	2.2	-	V _{DD}	RS,R/W,E	
	LOW	V _{IL}	-	0	-	0.8	DB0~DB7	
OUTPUT VOLTAGE	HIGH	V _{OH}	I _{OH} =-0.205mA	2.4	-	V	DB0~DB7	
	LOW	V _{OL}	I _{OL} =1.6mA	-	-	0.4	RS,R/W,E	
*LED BACKLIGHT	VOLTAGE	V _f	I _f =210mA	-	4.2	4.6	V	-
	CURRENT	I _f	-	-	210	275	mA	-
	POWER CONSUMPTION	PD	-	-	1279	-	mW	-
	LUMINOUS	L	I _f =210mA	70	-	-	cd/m ²	-
COLOR	-	-	-	-	-	nm	-	

*ONLY APPLIES TO MODULES WITH BACKLIGHT

ABSOLUTE MAXIMUM RATINGS		TEST CONDITION	STANDARD VALUE		UNIT
ITEM	SYMBOL		MIN	MAX	
SUPPLY VOLTAGE FOR LOGIC	V _{DD} -V _{SS}	T _a =25°C	4.7	5.3	V
SUPPLY VOLTAGE FOR LCD DRIVE	V _{DD} -V _O	-	4.2@50°C	4.8@0°C	V
INPUT VOLTAGE	V _I	-	V _{SS}	V _{DD}	V
OPERATING TEMPERATURE	T _{opr}	LCM-H	-20	70	°C
STORAGE TEMPERATURE	T _{stg}	LCM-H	-30	85	°C

*UNLESS OTHERWISE SPECIFIED TOLERANCE IS ±0.25mm (±0.010")

REV.	PART NUMBER	CONFIDENTIAL INFORMATION			290 E. HELLEN ROAD PALATINE, ILLINOIS 60067 PHONE: 1-847-359-2790 WEB: HTTP://WWW.LUMEX.COM		
	LCM-H02002DSF-Y	THE INFORMATION CONTAINED IN THIS DOCUMENT IS THE PROPERTY OF LUMEX INC. EXCEPT AS SPECIFICALLY AUTHORIZED IN WRITING BY LUMEX INC., THE HOLDER OF THIS DOCUMENT SHALL KEEP ALL INFORMATION CONTAINED HEREIN CONFIDENTIAL AND SHALL PROTECT SAME IN WHOLE OR IN PART FROM DISCLOSURE AND DISSEMINATION TO ALL THIRD PARTIES.			DRAWN BY:	CHECKED BY:	APPROVED BY:
5.55mm CHARACTER HEIGHT, 5 x 8 DOT MATRIX, 20 x 2 CHARACTER LCD MODULE, STN, YELLOW, TRANSFLECTIVE, 1/16 DUTY, 1/5 BIAS, EXTENDED TEMP.			RELIABILITY NOTE OUR MANY YEARS OF EXPERIENCE DATA ACCUMULATION INDICATE THAT SOLDER HEAT IS A MAJOR CAUSE OF EARLY AND FUTURE FAILURE. PLEASE PAY ATTENTION TO YOUR SOLDERING PROCESS.				DATE: 8-17-98
					SA/DU		PAGE: 2 OF 2
							SCALE: N/A