

448.9MHz SMD SAW FILTER

AFS449.0W03-NS3



RoHS
Compliant



3.8 X 3.8 X 1.5mm

FEATURES:

- 3.8 x 3.8 x 1.5mm SMD package
- Low pass band insertion loss, 4.0dB max
- Input/output 50ohm terminated
- Suitable for RoHS reflow profile

APPLICATIONS:

- CDMA
- RF SAW filter for Telecommunication
- PDA

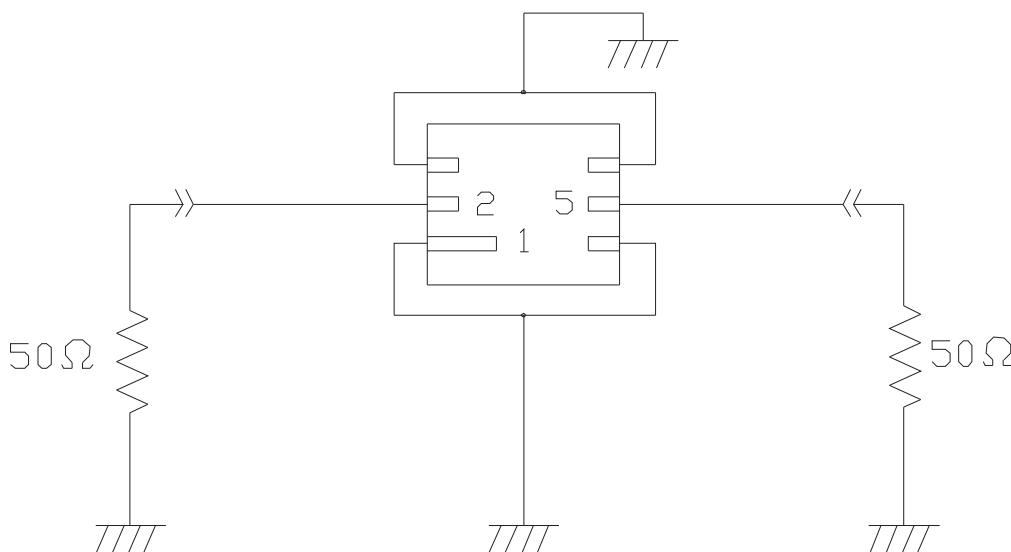
MAXIMUM RATINGS

Item	Value
Operation Temperature Range	-20°C to + 60°C
Storage Temperature Range	-40°C to + 85°C
DC Permissible Voltage	10V DC max.
Maximum Input Power	0 dBm

Specification

Item	Specification
Center Frequency (f_0)	448.9MHz
Insertion Loss ($f_0 \pm 3.0$ MHz)	4.0 dB max.
Passband Ripple ($f_0 \pm 3.0$ MHz)	2.0dB max.
Stopband Attenuation $f_0 - 45.8$ MHz ~ $f_0 - 39.8$ MHz	50 dB min.
$f_0 + 39.8$ MHz ~ $f_0 + 45.8$ MHz	50 dB min.
Terminating Impedance	50Ω/ 0pF

TEST CIRCUIT



448.9MHz SMD SAW FILTER

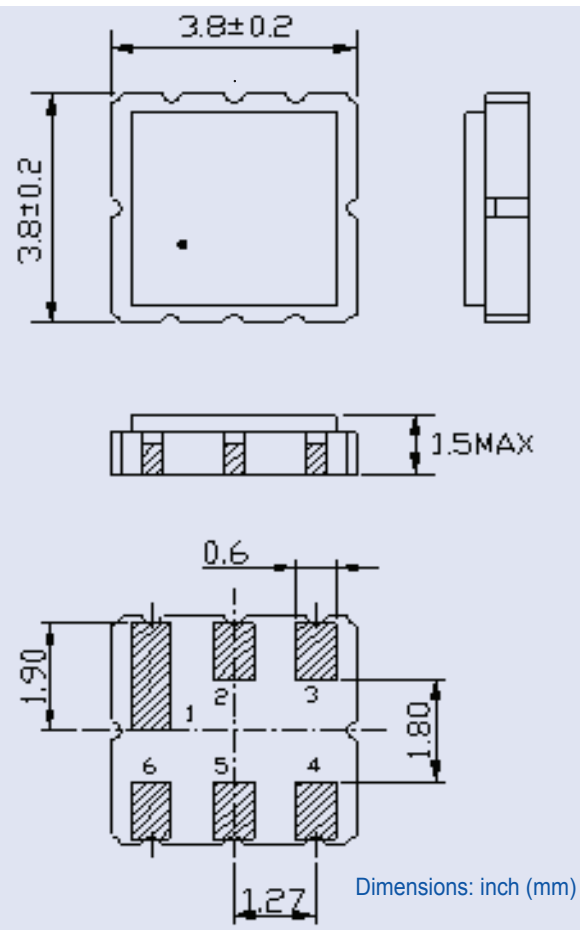


3.8 X 3.8 X 1.5mm

AFS449.0W03-NS3



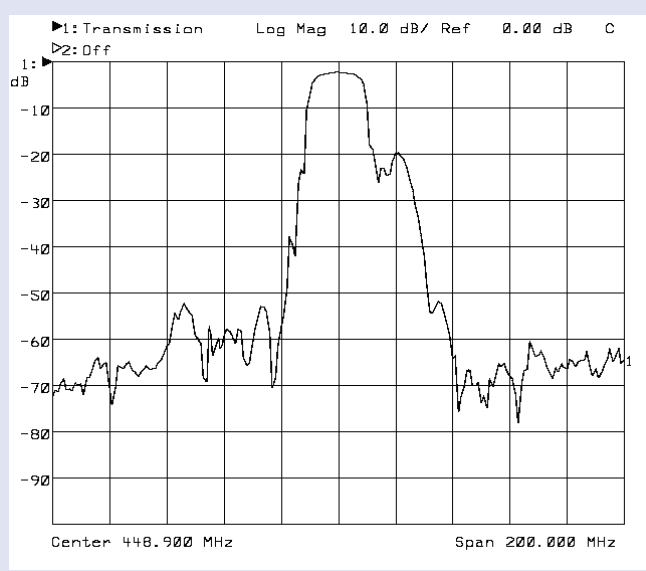
OUTLINE DRAWING:



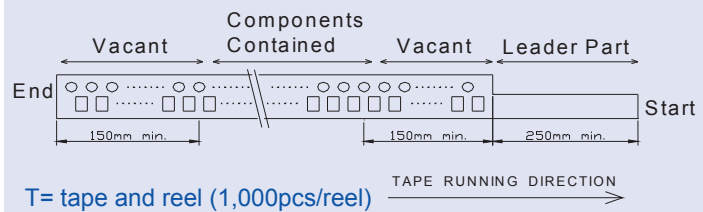
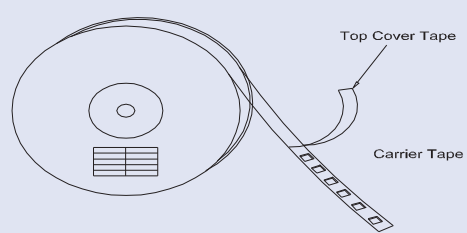
PIN ASSIGNMENTS:

Pin No.	
Pin 2	Input
Pin 5	Output
Other	Ground

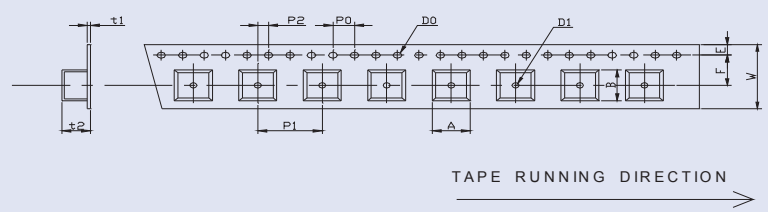
FREQUENCY CHARACTERISTIC



PACKING:



TAPE & REEL DIMENSION AND PARTS DIRECTION

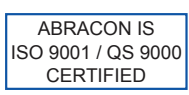


W	F	E	P0	P1	P2	D0	D1	t1	t2	A	B
12.0	5.5	1.75	4.0	8.0	2.0	Φ1.5	Φ1.5	0.31	1.95	4.1	4.1
±0.3	±0.1	±0.1	±0.2	±0.1	±0.2	±0.1	±0.25	max.	max.	max.	max.



Need a test socket for the AFS449.0W03-NS3 Series? To view compatible **PRECISION TEST & BURN-IN SOCKETS** for these parts, [click here](#).
P/N AXS-AXS-3838-06-01

ATTENTION: Abracon Corporation's products are COTS – Commercial-Off-The-Shelf products; suitable for Commercial, Industrial and, where designated, Automotive Applications. Abracon's products are not specifically designed for Military, Aviation, Aerospace, Life-dependant Medical applications or any application requiring high reliability where component failure could result in loss of life and/or property. For applications requiring high reliability and/or presenting an extreme operating environment, written consent and authorization from Abracon Corporation is required. Please contact Abracon Corporation for more information.



Visit www.abracon.com for Terms & Conditions of Sale **Revised: 07.26.10**
 30332 Esperanza, Rancho Santa Margarita, California 92688
 tel 949-546-8000 | fax 949-546-8001 | www.abracon.com