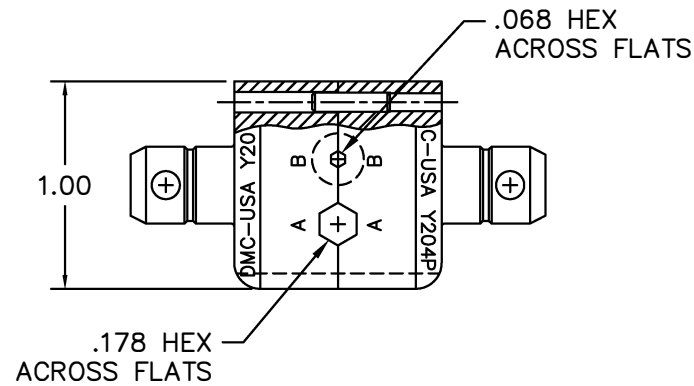
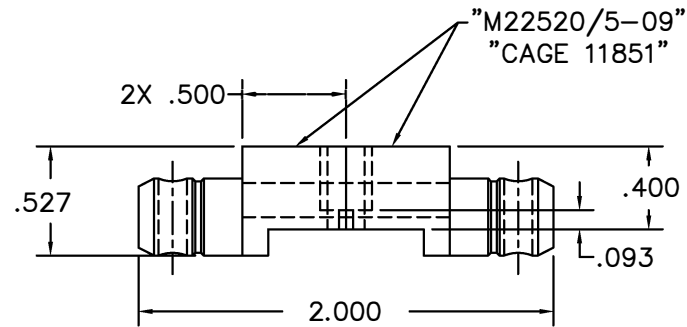


REVISIONS				
REV. SYM.	E.C.O. NUMBER	DESCRIPTION	BY DATE	APP'D DATE
1		ORIGINAL RELEASE	BK 7/10/98	DE 7/98



**UNCONTROLLED DOCUMENT
WILL NOT BE UPDATED**

RESTRICTED & CONFIDENTIAL		MATERIAL	ITEM	PART NO.	QTY.	DESCRIPTION/REMARKS			
CONFIDENTIAL PROPERTY OF DANIELS MANUFACTURING CORP. NOT TO BE DISCLOSED TO OTHERS, REPRODUCED OR USED FOR ANY OTHER PURPOSE, EXCEPT AS AUTHORIZED IN WRITING BY DANIELS MANUFACTURING. MUST BE RETURNED TO DANIELS MANUFACTURING CORP. ON COMPLETION OF ORDER OR OTHER PURPOSE FOR WHICH SENT.		HEAT TREAT	DRN.	B. KILPATRICK	DATE	7-15-98			
			CHK'D.	DE	DATE	7-98			
			APP'D.		DATE				
			APP'D.		DATE				
DO NOT SCALE DRAWING		FINISH	NOTE:		THIS DRAWING IS AN OUTLINE DRAWING OF THE RESPECTIVE DMC PART NUMBER INDICATED. ACTUAL DMC PART NUMBER IS DRAWING NUMBER WITHOUT THE "-ENV" SUFFIX.				
			WHERE USED:		SI ZE	SCALE	CAD	LB NO	SHEET OF
					B	NTS		Y204P-ENV	1 1
			POSTING		DWG. NO.		Y204P-ENV		REV.
					1				

DMC DANIELS MANUFACTURING CORP.
ORLANDO, FLORIDA
FSCM 11851

TITLE
**DIE SET
ENVELOPE DRAWING**