

4

3

2

1

THIS DRAWING IS UNPUBLISHED.

RELEASED FOR PUBLICATION

20

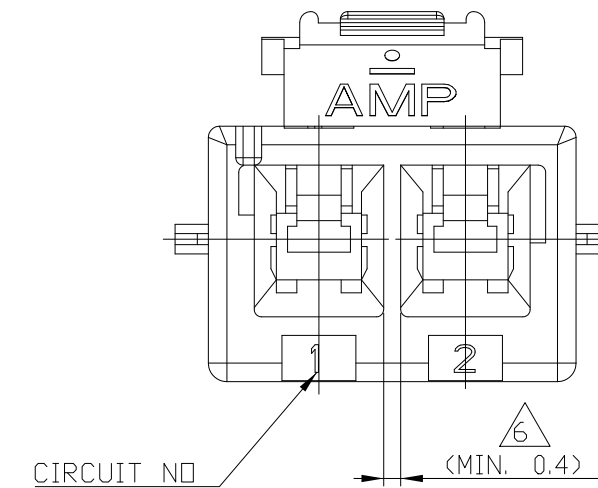
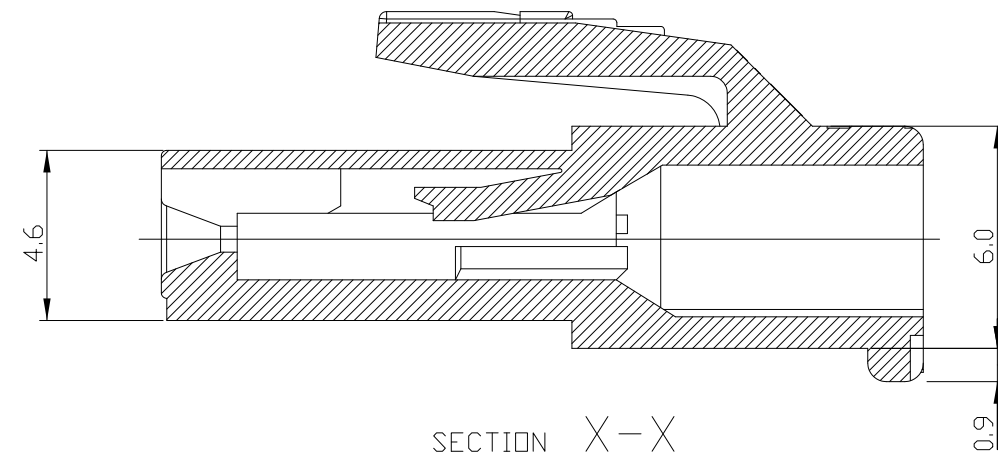
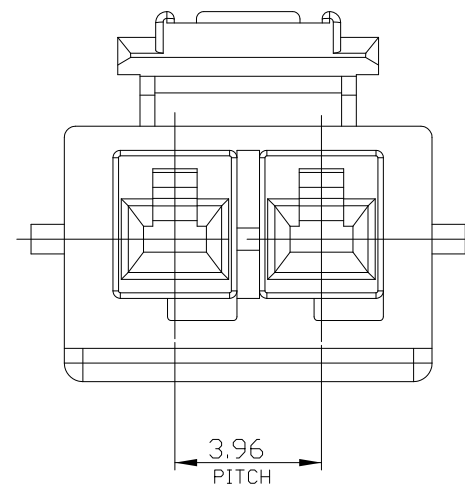
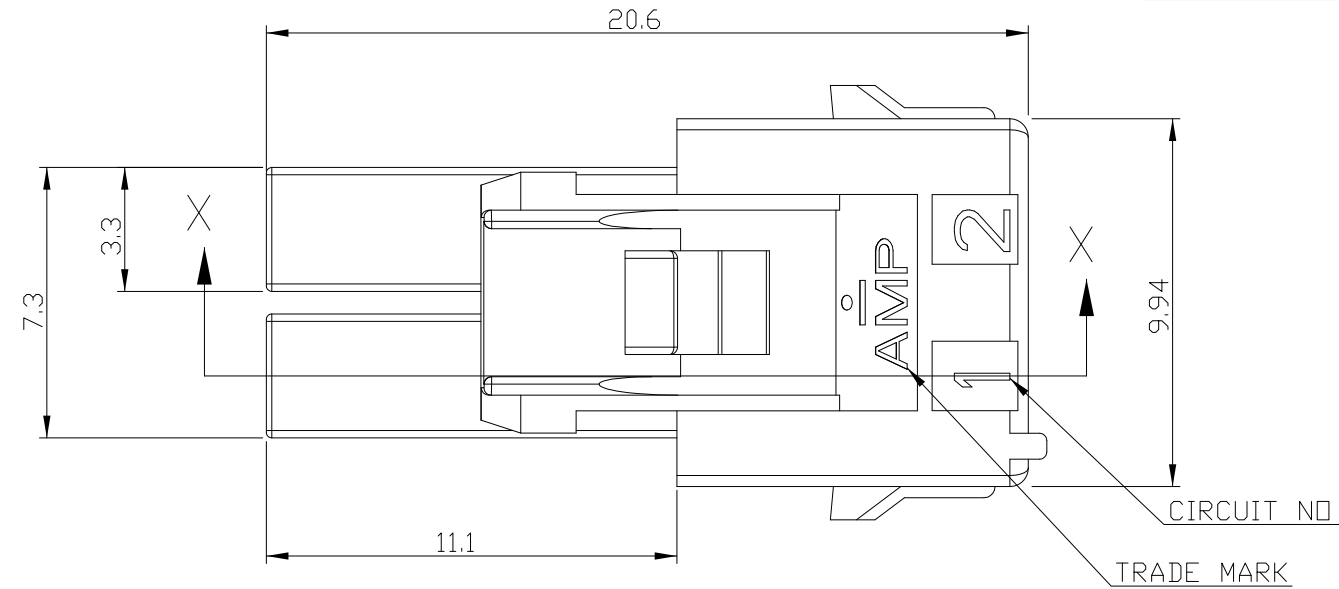
LOC DS

DIST -

REVISIONS

© COPYRIGHT 20 BY TYCO ELECTRONICS CORPORATION. ALL RIGHTS RESERVED.

P	LTR	DESCRIPTION	DATE	DWN	APVD
	A	RELEASED	29.MAY'09	SC	JK



NOTE;

- 1.APPLICABLE CONTACT P/N
 -REC CONTACT:177915- □(AWG#16-#20)
 :177914- □(AWG#22-#26)
- 2.MATING CONN.P/N
 -CAP HSG:2005248- □(FREE HANGING)
 2005249- □(PANEL MOUNT)
 -TAB CONTACT:177917- □(AWG#16-#20)
 177916- □(AWG#22-#26)
- 3.APPLICABLE DOUBLE LOCK PLATE:
 177918-1(V-0) OR □-368590-1(V-2,GWT)
 *IT SHOULD BE USED CERTAINLY WHEN CABLE ASS'Y
- 4.GENERAL TOLERANCES:±0.3
- 5.ACCORDING TO IEC 60335-1 4.2 EDITION
 -PART MEETS GWT 750° & 850°C.
 -MATERIAL MEETS BALL PRESSURE TESTING AT 125°C.
 -MATERIAL HAS CTI VALUE OF 250V.
 △MIN.THICKNESS OF INSULATING WALL

2005247-9	BLACK
2005247-6	BLUE
2005247-4	YELLOW
2005247-2	RED
2005247-1	NATURAL
P/N	COLOR

THIS DRAWING IS A CONTROLLED DOCUMENT FOR TYCO ELECTRONICS CORPORATION IT IS SUBJECT TO CHANGE AND THE CONTROLLING ENGINEERING ORGANIZATION SHOULD BE CONTACTED FOR THE LATEST REVISION.		DWN SC KIM	AMP KOREA Kyungsan, Korea				
DIMENSIONS: mm		CHK BW KANG					
TOLERANCES UNLESS OTHERWISE SPECIFIED:		APVD JK SONG	NAME PDL 2P PLUG HSG 3.96mm (GWT)				
0 PLC ±- 1 PLC ±0.1 2 PLC ±0.01 3 PLC ±0.001 4 PLC ±0.0001 ANGLES ±-		PRODUCT SPEC 108-61106	SIZE A3	CAGE CODE 00779	DRAWING NO 2005247	RESTRICTED TO -	
MATERIAL PA66(UL94V-0)		FINISH -	WEIGHT -	SCALE 5:1		SHEET 1 OF 1	REV A
CUSTOMER DRAWING							