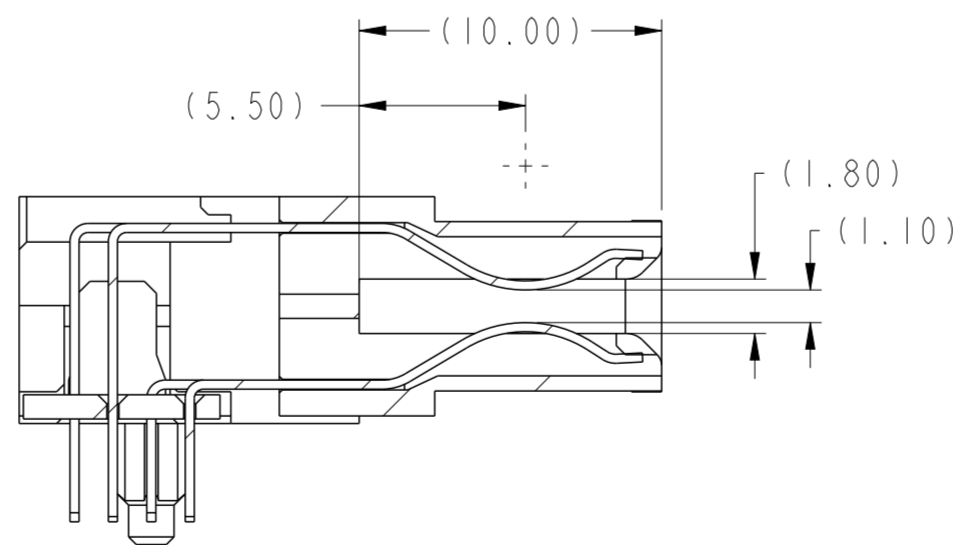
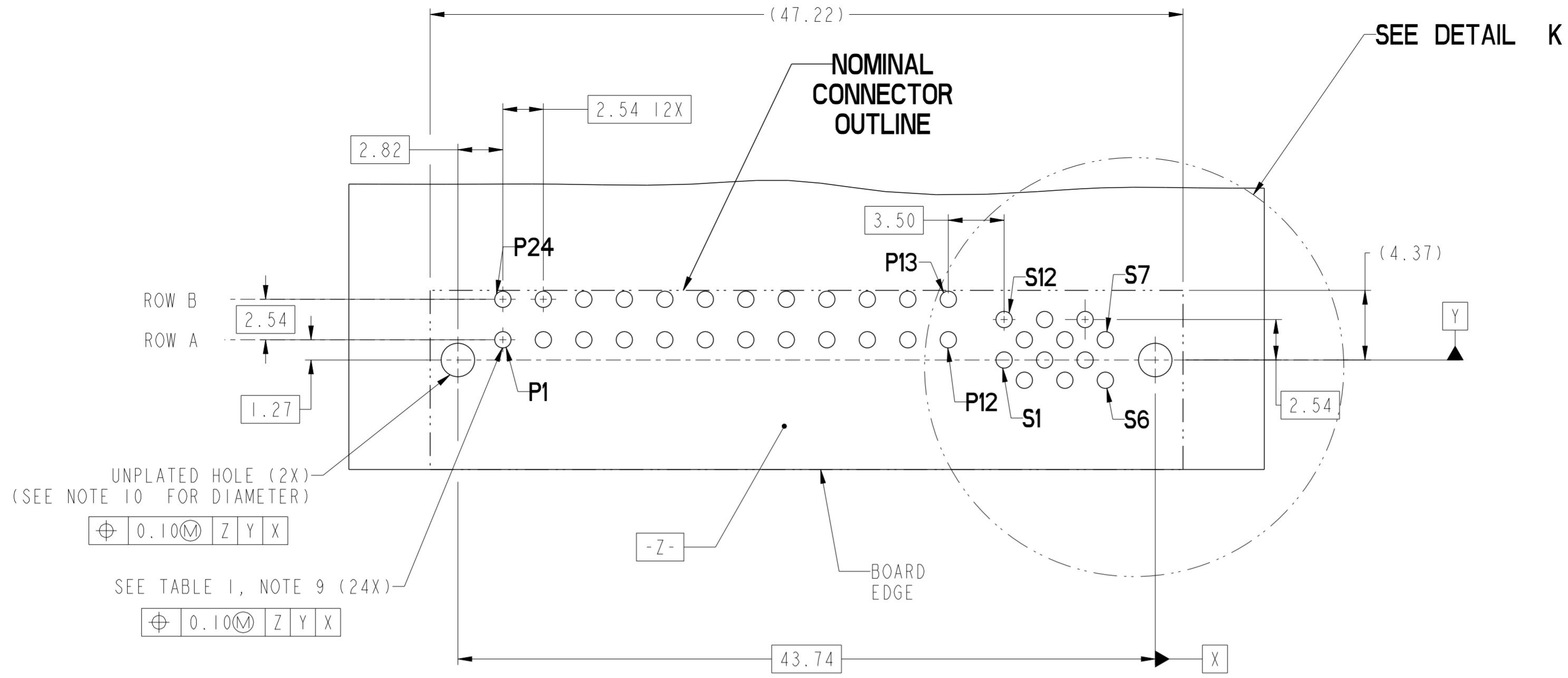


SECTION A-A



SECTION B-B

| | | | | | | | | | | | | | | | | | | | | | | | | |
|---------|--------|-------|------------|---------------|--|-------------|----------------|------------|------------|----|------------------------|----------|--------------|----------|--|------|-------|--|-------|-------|---------|----|-----|-----|
| rev | ecn no | dr | date | spec ref | - | dr | Wei-Long Zhang | 2011/12/23 | projection | MM | size | A2 | scale | 4:1 | | | | | | | | | | |
| A | --- | HZ | 2012-01-13 | tolerance std | TOLERANCES UNLESS OTHERWISE SPECIFIED | eng | Wei-Long Zhang | 2012/01/13 | | | ecn no | - | rel level | Released | | | | | | | | | | |
| - | - | - | - | surface | <table border="1"> <tr> <td>linear</td> <td>0.X</td> <td>±0.30</td> </tr> <tr> <td></td> <td>0.XX</td> <td>±0.10</td> </tr> <tr> <td></td> <td>0.XXX</td> <td>±0.05</td> </tr> <tr> <td>angular</td> <td>0°</td> <td>±2°</td> </tr> </table> | linear | 0.X | ±0.30 | | | | | | | | 0.XX | ±0.10 | | 0.XXX | ±0.05 | angular | 0° | ±2° | chr |
| linear | 0.X | ±0.30 | | | | | | | | | | | | | | | | | | | | | | |
| | 0.XX | ±0.10 | | | | | | | | | | | | | | | | | | | | | | |
| | 0.XXX | ±0.05 | | | | | | | | | | | | | | | | | | | | | | |
| angular | 0° | ±2° | | | | | | | | | | | | | | | | | | | | | | |
| - | - | - | - | | | appr | Pei-Ming Zheng | 2012/01/13 | | | dwg no | 10119849 | rev | A | | | | | | | | | | |
| | | | | | | www.fci.com | | cat. no. | - | | Product - Customer Drw | | sheet 1 of 4 | | | | | | | | | | | |



UNPLATED HOLE (2X)
(SEE NOTE 10 FOR DIAMETER)

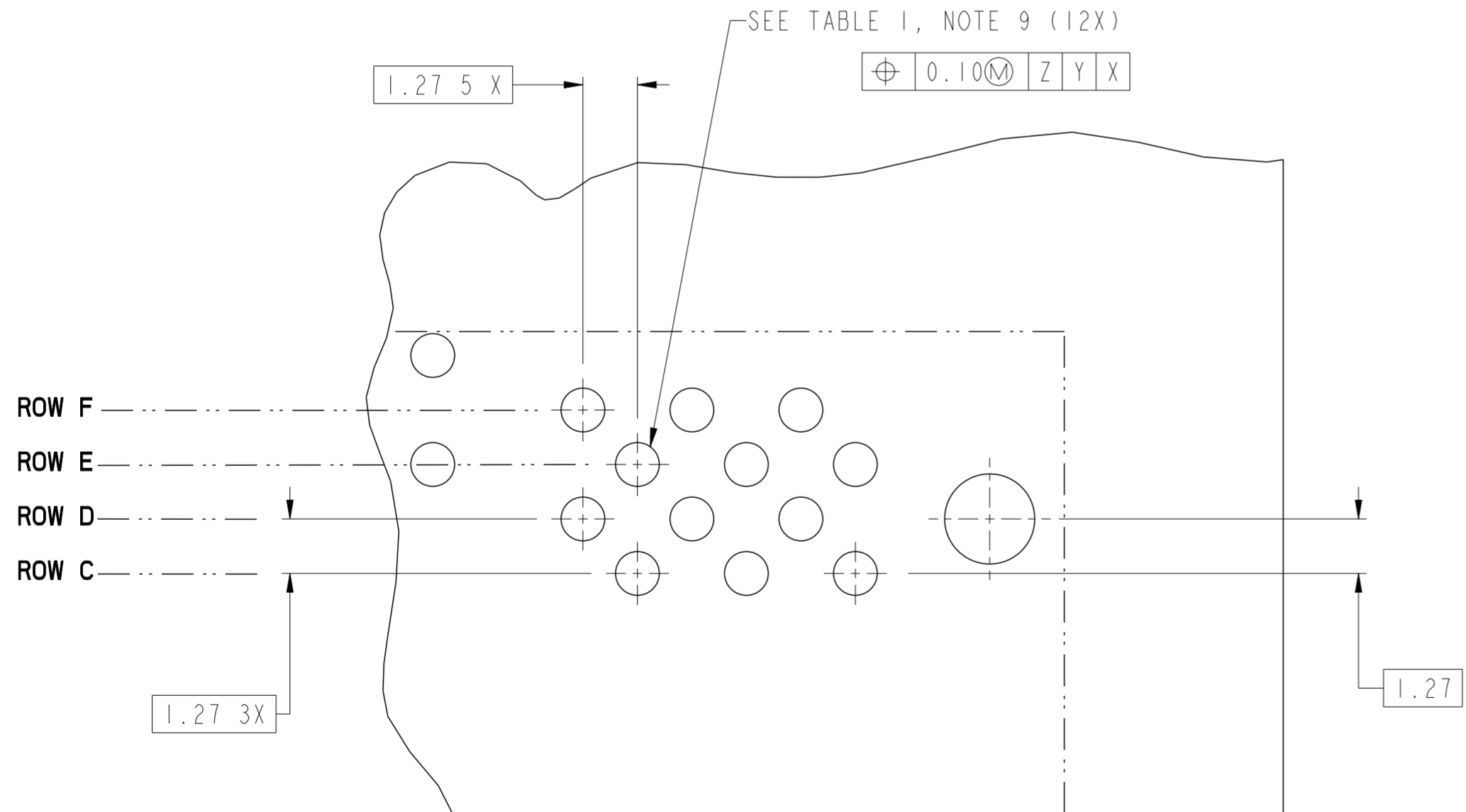
⊕ 0.10(M) Z Y X

SEE TABLE 1, NOTE 9 (24X)

⊕ 0.10(M) Z Y X

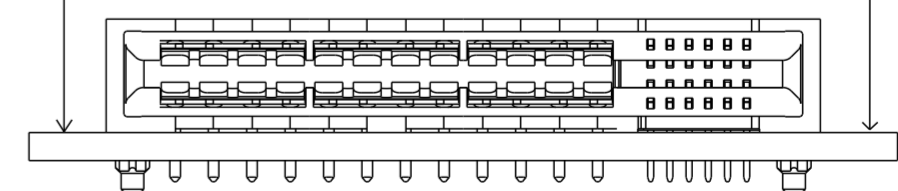
SEE TABLE 1, NOTE 9 (12X)

⊕ 0.10(M) Z Y X



DETAIL K
SCALE 8:1

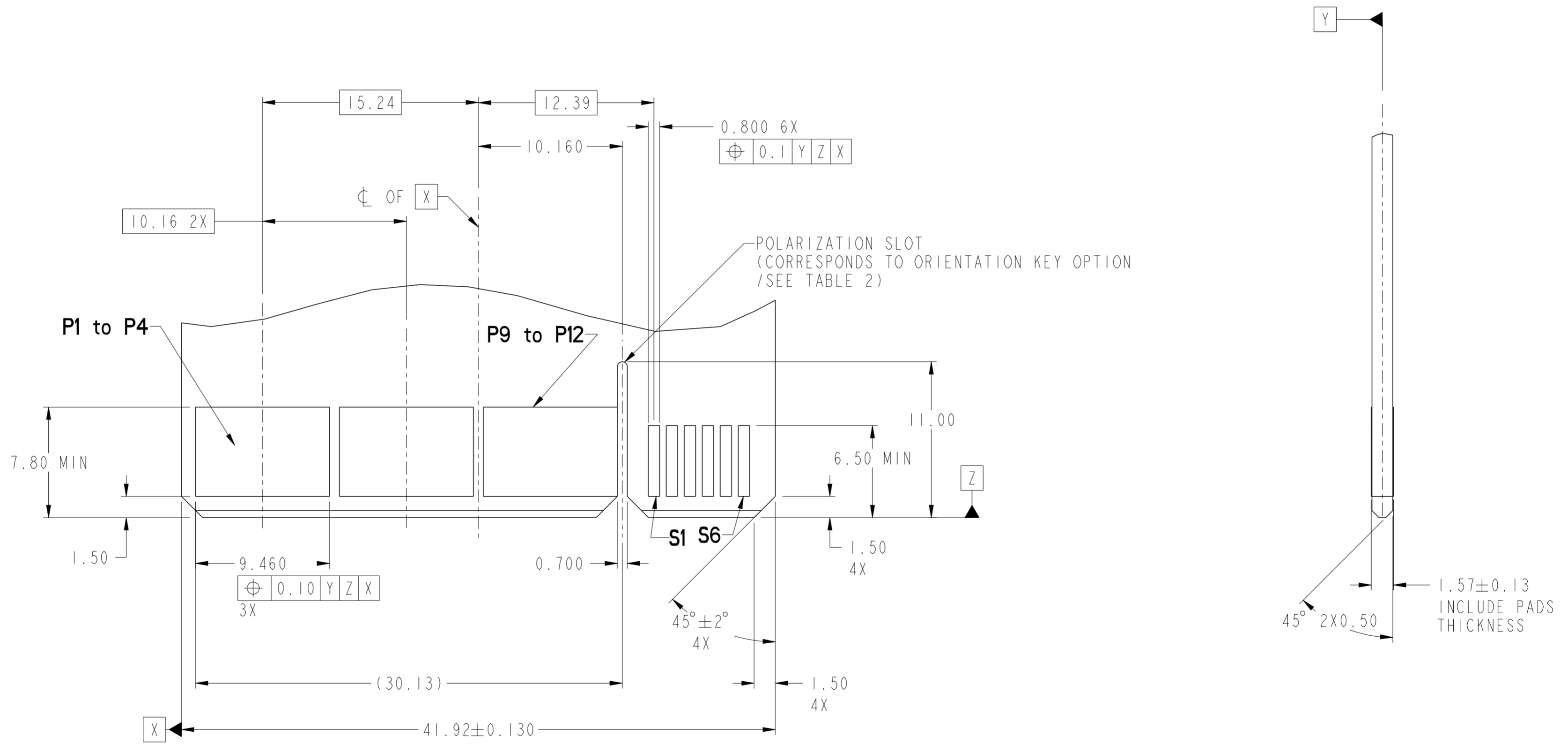
RECOMMENDED PCB LAYOUT
VIEWED FROM CONNECTOR SIDE



| | | | | | | | | | |
|-------------|----------------|------------|---|----|-----------|------------------------|-----------|----------|--------------|
| dr | Wei-Long Zhang | 2011/12/23 | projection | MM | size | A2 | scale | 4:1 | |
| eng | Wei-Long Zhang | 2012/01/13 | | | ecn no | - | rel level | Released | |
| chr | Eleven Hu | 2012/01/13 | | | | | | | |
| appr | Pei-Ming Zheng | 2012/01/13 | product family | - | rel level | - | rel level | Released | |
| | | | title RIGHT ANGLE 24P12S HIGH POWER CARD EDGE | | | dwg no 10119849 | | rev A | |
| www.fci.com | | | cat. no. | | | Product - Customer Drw | | | sheet 2 of 4 |

Copyright FCI.

| CONTACT TYPE | TOP LAYER DESCRIPTION | TABLE 1 (HPCE / SOLDER TAILS) PLATED THROUGH-HOLE REQUIREMENTS | | | | |
|----------------|-----------------------|---|------------------|--------------------|---------------|------------------------|
| | | DRILLED HOLE DIAMETER | COPPER THICKNESS | TIN-LEAD THICKNESS | TIN THICKNESS | FINISHED HOLE DIAMETER |
| POWER & SIGNAL | TIN-LEAD | 1.10-1.16 (1.15 DRILL) | 0.025 - 0.050 | 0.005 - 0.015 | -- | 0.94 - 1.10 |
| | IMMERSION TIN | 1.10-1.16 (1.15 DRILL) | 0.025 - 0.050 | -- | 0.9 - 1.5um | 0.94 - 1.10 |
| | COPPER (SEE NOTE 8) | 1.10-1.16 (1.15 DRILL) | 0.025 - 0.050 | -- | -- | 0.94 - 1.10 |

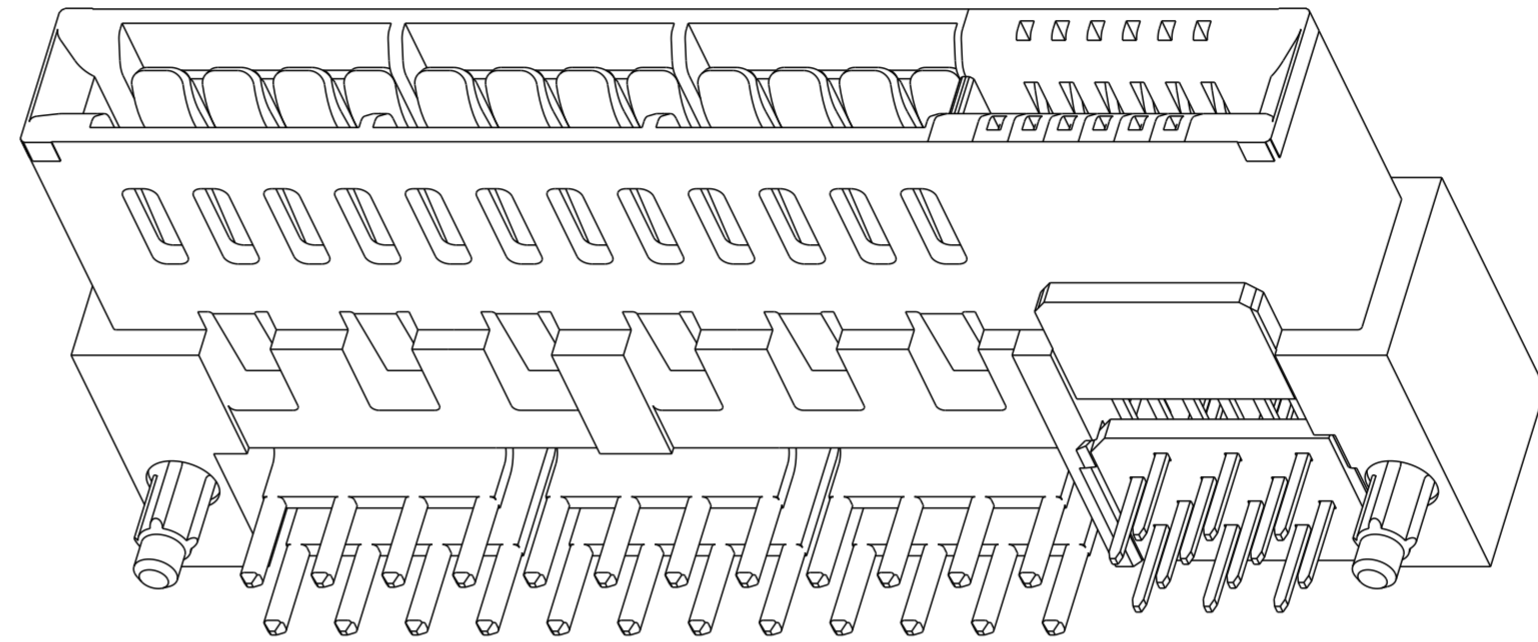


RECOMMENDED MATING BOARD FOOTPRINT

| | | | | | | | | |
|-------------|----------------|---|------------------------|----|------------------------|--------------|-----------|----------|
| dr | Wei-Long Zhang | 2011/12/23 | projection | MM | size | A2 | scale | 4:1 |
| eng | Wei-Long Zhang | 2012/01/13 | | MM | ecn no | - | rel level | Released |
| chr | Eleven Hu | 2012/01/13 | | | | | | |
| appr | Pei-Ming Zheng | 2012/01/13 | product family | - | | | | |
| | | TITLE RIGHT ANGLE 24P12S HIGH POWER CARD EDGE | | | dwg no 10119849 | rev A | | |
| www.fci.com | | cat. no. | Product - Customer Drw | | | sheet 3 of 4 | | |

Copyright FCI. FCI

| HPCE PART NUMBER (TABLE 2) | | | | |
|----------------------------|-------------|------------------|-----------------|-----------------------------|
| 10117877 | TAIL TYPE | HOLD-DOWN OPTION | ORIENTATION KEY | DIM "A" TYPICAL TAIL LENGTH |
| 10119849-001LF | SOLDER TAIL | NO | YES | 3.25±0.50 |
| 10119849-002LF | | | NO | |
| 10119849-003LF | | YES | YES | |
| 10119849-004LF | | | NO | |



NOTES:

1. CONNECTOR MATERIALS:
 - HOUSING: HIGH TEMPERATURE THERMAL PLASTIC, BLACK
UL 94V-0 COMPLIANT
 - CONTACTS: HIGH PERFORMANCE COPPER ALLOY.
2. CONTACT FINISH REF. GS-12-604 SECTION 5.2.
3. PRODUCT SPECIFICATION: GS-12-604.
4. APPLICATION SPECIFICATION: GS-20-128.
5. PRODUCT MARKING (FCI - PART NUMBER & DATE CODE) ON HOUSING IN AREA SHOWN.
6. PACKAGING MEETS FCI SPECIFICATION GS-14-937.
7. HOUSING COMPONENT WILL WITHSTAND EXPOSURE TO 260°C PEAK TEMPERATURE FOR 60 SECONDS IN A CONVECTION, INFRA-RED, OR VAPOR PHASE REFLOW OVEN.
8. COPPER PLATING THICKNESS IN CENTER OF VIA-HOLE CAN BE NO MORE THAN 0.003 LESS THAN OTHER AREAS.
9. ALL HOLE SIZES ARE FINISHED HOLE SIZES.
10. MOUNTING HOLES ARE UNPLATED
Ø 2.10 +/- 0.1 FOR SOLDER TAILS

| | | | | | | | | |
|------|----------------|---|------------|----|---------------------|----------|------------------------|--------------|
| dr | Wei-Long Zhang | 2011/12/23 | projection | MM | size | A2 | scale | 4:1 |
| eng | Wei-Long Zhang | 2012/01/13 | | | ecn no. | - | rel level | |
| chr | Eleven Hu | 2012/01/13 | | | product family | - | rel level | Released |
| appr | Pei-Ming Zheng | 2012/01/13 | | | cat. no. | - | Product - Customer Drw | sheet 4 of 4 |
| | | title RIGHT ANGLE 24P12S HIGH POWER CARD EDGE | | | dwg no. 10119849 | rev A | | |