

# CAT5110, CAT5118, CAT5119, CAT5123, CAT5124, CAT5125



ON Semiconductor®

<http://onsemi.com>

## 32-tap Digital Potentiometers (POTs) with 2-wire Interface

### Description

CAT5110/18/19/23/24/25 linear-taper digital POTs perform the same function as a mechanical potentiometer or a variable resistor. These devices consist of a fixed resistor and a wiper contact with 32-tap points that are digitally controlled through a 2-wire up/down serial interface.

The CAT5110 and CAT5125 are configured as potentiometers. The CAT5118/19/23/24 are configured as variable resistors.

Three resistance values are available: 10 kΩ, 50 kΩ and 100 kΩ. All devices are available in space-saving 5-pin and 6-pin SOT-23 packages. The CAT5110/18/19 are also available in the SC-70 package.

### Features

- 0.3 μA Ultra-low Standby Current
- Single-supply Operation: 2.7 V to 5.5 V
- Glitchless Switching between Resistor Taps
- Power-on Reset to Midscale
- 2-wire Up/Down Serial Interface
- Resistance Values: 10 kΩ, 50 kΩ and 100 kΩ
- Low Wiper Resistance: 80 Ω for CAT5123, CAT5124, CAT5125
- CAT5110, CAT5118, CAT5119 Available in SC-70
- These Devices are Pb-Free, Halogen Free/BFR Free and are RoHS Compliant

### Applications

- LCD Screen Adjustment
- Volume Control
- Mechanical Potentiometer Replacement
- Gain Adjustment
- Line Impedance Matching



SC-70  
SD SUFFIX  
CASE 419AD



SOT-23  
TB SUFFIX  
CASE 527AJ

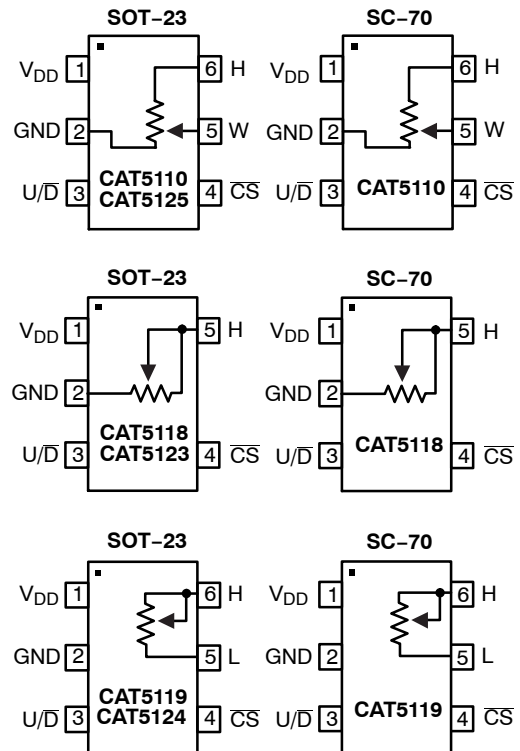


SC-70  
SD SUFFIX  
CASE 419AC



SOT-23  
TB SUFFIX  
CASE 527AH

### PIN CONNECTIONS



(Top Views)

### ORDERING INFORMATION

See detailed ordering and shipping information in the package dimensions section on page 7 of this data sheet.

# CAT5110, CAT5118, CAT5119, CAT5123, CAT5124, CAT5125

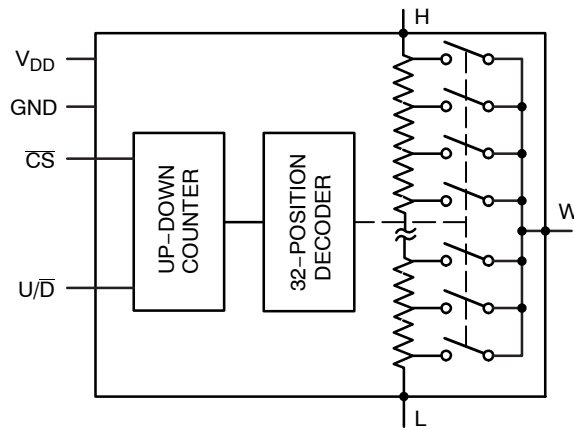


Figure 1. Functional Diagram

Table 1. PIN DESCRIPTIONS

| Pin Number          |                     |                     | Pin Name        | Description   |
|---------------------|---------------------|---------------------|-----------------|---|
| CAT5110/<br>CAT5125 | CAT5118/<br>CAT5123 | CAT5119/<br>CAT5124 |                 |   |
| 1                   | 1                   | 1                   | V <sub>DD</sub> | Power Supply  |
| 2                   | 2                   | 2                   | GND             | Ground  |
| 3                   | 3                   | 3                   | U/ $\bar{D}$    | Up/Down Control Input. With $\bar{CS}$ low, a low-to-high transition increments or decrements the wiper position.                                   |
| 4                   | 4                   | 4                   | $\bar{CS}$      | Chip Select Input. A high-to-low $\bar{CS}$ transition determines the mode: increment if U/ $\bar{D}$ is high, or decrement if U/ $\bar{D}$ is low. |
| -                   | -                   | 5                   | L               | Low Terminal of Resistor  |
| 5                   | -                   | -                   | W               | Wiper Terminal of Resistor  |
| 6                   | 6                   | 6                   | H               | High Terminal of Resistor   |

Table 2. ABSOLUTE MAXIMUM RATINGS

| Parameters  | Ratings                         | Units |
|---|---------------------------------|-------|
| V <sub>DD</sub> to GND                                | -0.3 to +6                      | V     |
| All Other Pins to GND                                 | -0.3 to (V <sub>DD</sub> + 0.3) | V     |
| Input and Output Latch-Up Immunity                    | ±200                            | mA    |
| Maximum Continuous Current into H, L and W            |                                 | mA    |
| 100 kΩ  | ±0.6                            |       |
| 50 kΩ   | ±1.3                            |       |
| 10 kΩ   | ±1.3                            |       |
| Continuous Power Dissipation (T <sub>A</sub> = +70°C) |                                 | mW    |
| 5-pin SC-70 (Note 1)                                  | 247                             |       |
| 6-pin SC-70 (Note 1)                                  | 245                             |       |
| Operating Temperature Range                           | -40 to +85                      | °C    |
| Junction Temperature                                  | +150                            | °C    |
| Storage Temperature Range                             | -65 to +150                     | °C    |
| Soldering Temperature (soldering, 10 sec)             | +300                            | °C    |

Stresses exceeding Maximum Ratings may damage the device. Maximum Ratings are stress ratings only. Functional operation above the Recommended Operating Conditions is not implied. Extended exposure to stresses above the Recommended Operating Conditions may affect device reliability.

1. Derate 3.1 mW/°C above T<sub>A</sub> = +70°C

# CAT5110, CAT5118, CAT5119, CAT5123, CAT5124, CAT5125

**Table 3. ELECTRICAL CHARACTERISTICS**

( $V_{DD} = 2.7\text{ V to }5.5\text{ V}$ ,  $V_H = V_{DD}$ ,  $V_L = 0$ ,  $T_A = -40^\circ\text{C to }+85^\circ\text{C}$ . Typical values are at  $V_{DD} = 2.7\text{ V}$ ,  $T_A = 25^\circ\text{C}$ , unless otherwise noted.)

| Parameter                     | Symbol | Conditions    | Min | Typ       | Max     | Units                 |
|-------------------------------|--------|---------------|-----|-----------|---------|-----------------------|
| <b>DC PERFORMANCE</b>         |        |               |     |           |         |                       |
| Resolution                    |        |               | 32  |           |         | Taps                  |
| End-to-End Resistance (-00)   |        |               | 80  | 100       | 120     | k $\Omega$            |
| End-to-End Resistance (-50)   |        |               | 40  | 50        | 60      |                       |
| End-to-End Resistance (-10)   |        |               | 8   | 10        | 12      |                       |
| End-to-End Resistance Tempco  | $TC_R$ | CAT5110/18/19 |     | 200       |         | ppm/ $^\circ\text{C}$ |
|                               |        | CAT5123/24/25 |     | 30        | 300     |                       |
| Ratiometric Resistance Tempco |        |               |     | 5         |         | ppm/ $^\circ\text{C}$ |
| Integral Nonlinearity         | INL    |               |     | $\pm 0.5$ | $\pm 1$ | LSB                   |
| Differential Nonlinearity     | DNL    |               |     |           | $\pm 1$ | LSB                   |
| Full-Scale Error              |        |               |     | $\pm 0.1$ |         | LSB                   |
| Zero-Scale Error              |        |               |     |           | 1       | LSB                   |
| Wiper Resistance              | $R_W$  | CAT5110/18/19 |     | 200       | 600     | $\Omega$              |
|                               |        | CAT5123/24/25 |     | 80        | 200     |                       |

### DIGITAL INPUTS

|                    |          |  |                     |  |                     |   |
|--------------------|----------|--|---------------------|--|---------------------|---|
| Input High Voltage | $V_{IH}$ |  | $0.7 \times V_{DD}$ |  |                     | V |
| Input Low Voltage  | $V_{IL}$ |  |                     |  | $0.3 \times V_{DD}$ | V |

### TIMING CHARACTERISTICS (Figures 7, 8)

|                                       |              |  |    |      |  |               |
|---------------------------------------|--------------|--|----|------|--|---------------|
| U/ $\bar{D}$ Mode to $\bar{CS}$ Setup | $t_{CU}$     |  | 25 |      |  | ns            |
| $\bar{CS}$ to U/ $\bar{D}$ Step Setup | $t_{CI}$     |  | 50 |      |  | ns            |
| $\bar{CS}$ to U/ $\bar{D}$ Step Hold  | $t_{IC}$     |  | 25 |      |  | ns            |
| U/ $\bar{D}$ Step Low Period          | $t_{IL}$     |  | 25 |      |  | ns            |
| U/ $\bar{D}$ Step High Period         | $t_{IH}$     |  | 25 |      |  | ns            |
| Up/Down Toggle Rate (Note 2)          | $f_{TOGGLE}$ |  |    | 1    |  | MHz           |
| Output Settling Time (Note 3)         | $t_{SETTLE}$ | 100 k $\Omega$ variable resistor configuration, $C_L = 10\text{ pF}$ |    | 1    |  | $\mu\text{s}$ |
|                                       |              | 100 k $\Omega$ potentiometer configuration, $C_L = 10\text{ pF}$     |    | 0.25 |  |               |

### POWER SUPPLY

|                                 |          |                        |     |     |     |               |
|---------------------------------|----------|------------------------|-----|-----|-----|---------------|
| Supply Voltage                  | $V_{DD}$ |                        | 2.7 |     | 5.5 | V             |
| Active Supply Current (Note 4)  | $I_{DD}$ |                        |     |     | 25  | $\mu\text{A}$ |
| Standby Supply Current (Note 5) | $I_{SB}$ | $V_{DD} = +5\text{ V}$ |     | 0.3 | 1   | $\mu\text{A}$ |

2. Up/Down Toggle Rate:  $f_{TOGGLE} = 1 / t_{SETTLE}$
3. Typical settling times are dependent on end-to-end resistance.
4. Supply current measured while changing wiper tap,  $f_{TOGGLE} = 1\text{ MHz}$ .
5. Supply current measured while wiper position is fixed.

# CAT5110, CAT5118, CAT5119, CAT5123, CAT5124, CAT5125

## TYPICAL OPERATING CHARACTERISTICS

( $T_A = 25^\circ\text{C}$ , unless otherwise noted.)

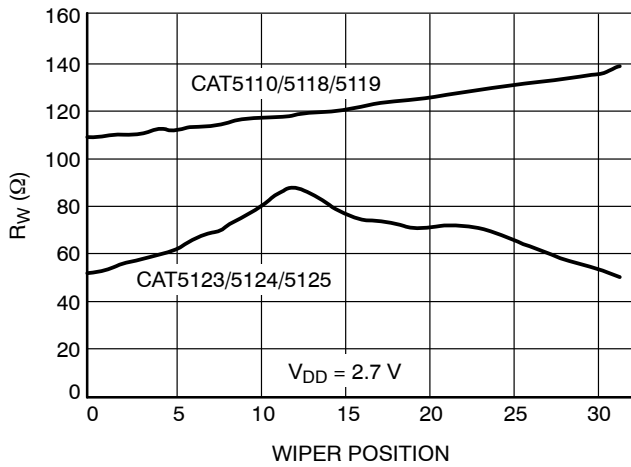


Figure 2. Wiper Resistance vs. Wiper Position

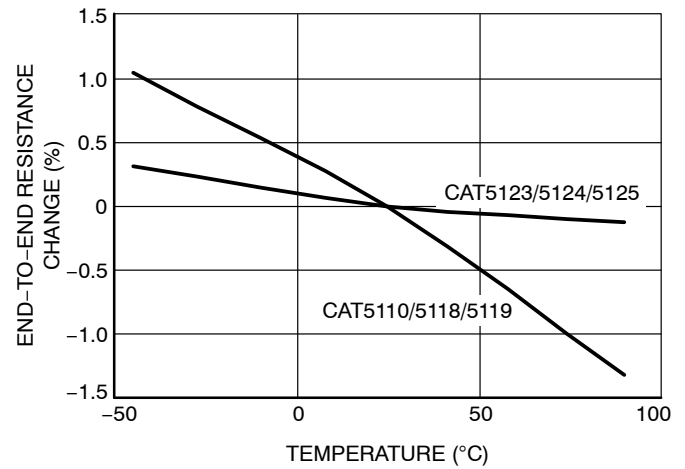


Figure 3. Change in End-to-End Resistance vs. Temperature

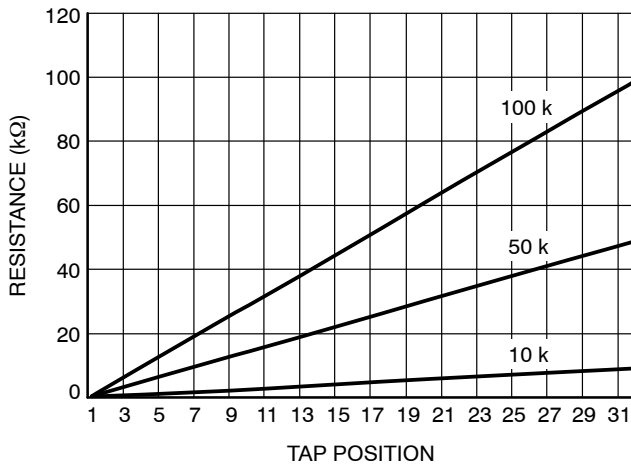


Figure 4. W-to-L Resistance vs. Tap Position

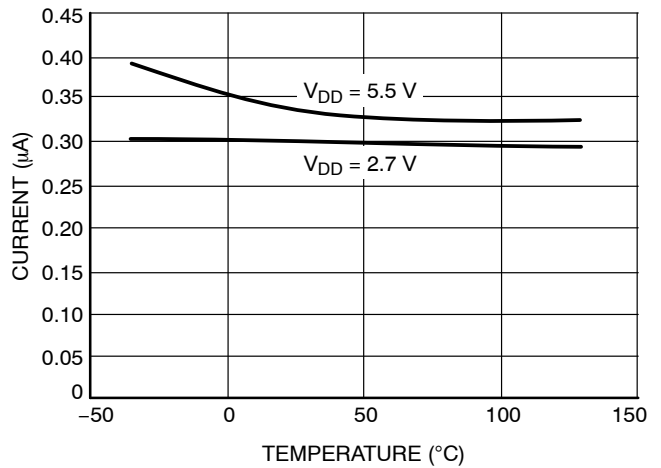


Figure 5. Supply Current vs. Temperature

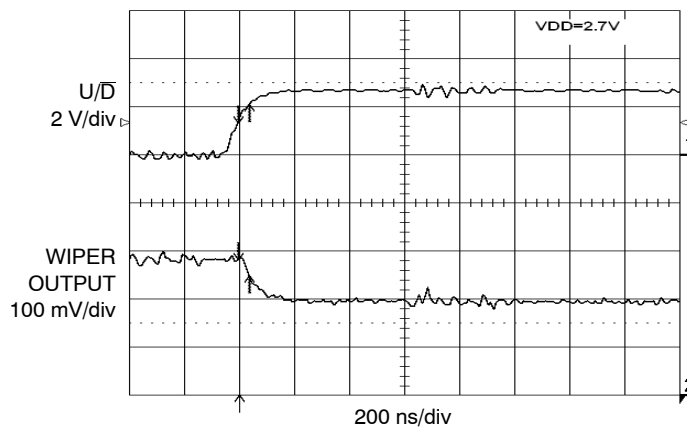


Figure 6. Tap-to-Tap Switching Transient

FUNCTIONAL DESCRIPTION

The CAT5110/5118/5119/5123/5124/5125 consist of a fixed resistor and a wiper contact with 32-tap points that are digitally controlled through a 2-wire up/down serial interface. Three end-to-end resistance values are available: 10 kΩ, 50 kΩ and 100 kΩ.

The CAT5110/5125 is designed to operate as a potentiometer. In this configuration, the low terminal of the resistor array is connected to ground (pin 2).

The CAT5118/5123 performs as a variable resistor. In this device, the wiper terminal and high terminal of the resistor array are connected at pin 5. The CAT5119/5124 is a similar variable resistor, except the low terminal is connected to pin 5.

Digital Interface Operation

The devices have two modes of operation when the serial interface is active: increment and decrement mode. The serial interface is only active when  $\overline{CS}$  is low.

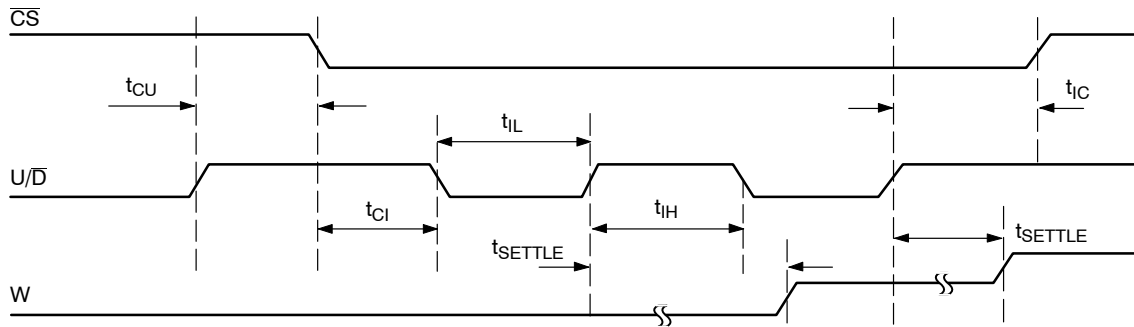
The  $\overline{CS}$  and  $U/\overline{D}$  inputs control the position of the wiper along the resistor array. When  $\overline{CS}$  transitions from high to low, the part will go into increment mode if  $U/\overline{D}$  input is high, and into decrement mode when  $U/\overline{D}$  input is low. Once the mode is set, the device will remain in that mode until  $\overline{CS}$  goes high again. A low-to-high transition at the  $U/\overline{D}$  pin will increment or decrement the wiper position depending on the current mode (Figures 7 and 8).

When the  $\overline{CS}$  input transitions to high (serial interface inactive), the value of the counter is stored and the wiper position is maintained.

Note that when the wiper reaches the maximum (or minimum) tap position, the wiper will not wrap around to the minimum (or maximum) position.

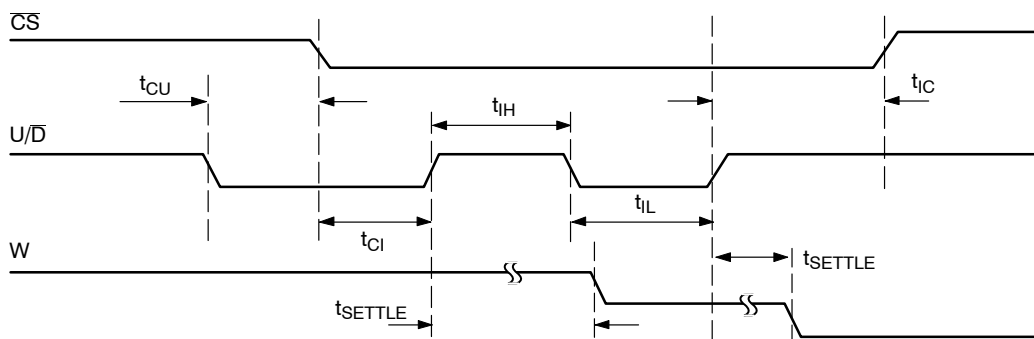
Power-On Reset

All parts in this family feature power-on reset (POR) circuitry that sets the wiper position to midscale at power-up. By default, the chip is in the increment mode.



Note: "W" is not a digital signal. It represents wiper transitions.

Figure 7. Serial Interface Timing Diagram, Increment Mode



Note: "W" is not a digital signal. It represents wiper transitions.

Figure 8. Serial Interface Timing Diagram, Decrement Mode

APPLICATIONS INFORMATION

The devices are intended for circuits requiring digitally controlled adjustable resistance, such as LCD contrast control, where voltage biasing adjusts the display contrast.

**Alternative Positive LCD Bias Control**

An op amp can be used to provide buffering and gain on the output of the CAT5110/CAT5125. This can be done by connecting the wiper output to the positive input of a noninverting op amp as shown in Figure 9. Figure 10 shows a similar circuit for the CAT5119/CAT5124.

**Adjustable Gain**

Figures 11 and 12 show how to use either a variable resistor or a potentiometer to digitally adjust the gain of a noninverting op amp configuration, by connecting the devices in series with a resistor to ground. The devices have a low 5 ppm/°C ratiometric tempo that allows for a very stable adjustable gain configuration over temperature.

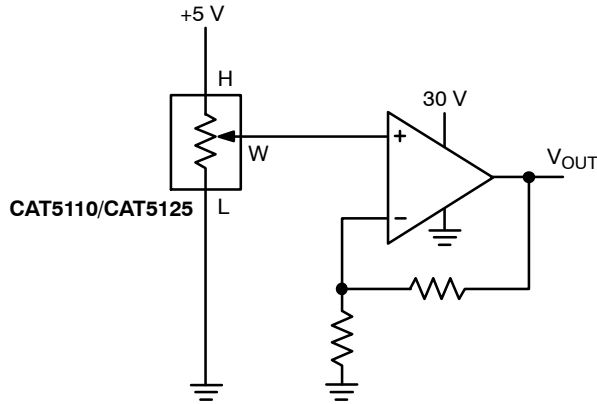


Figure 9. Positive LCD Bias Control

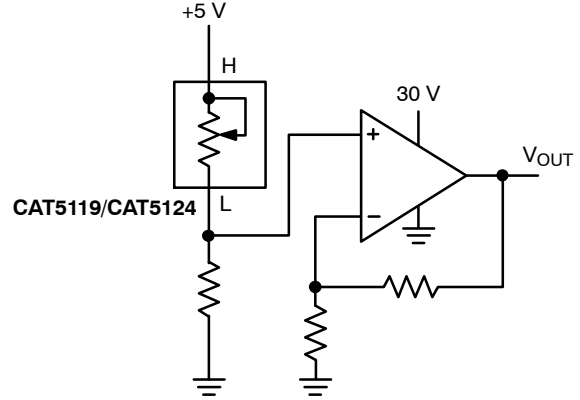


Figure 10. Positive LCD Bias Control

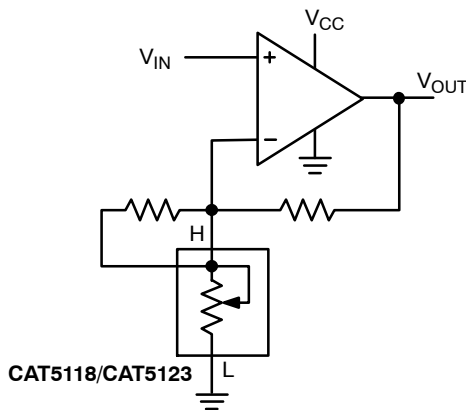


Figure 11. Adjustable Gain Circuit

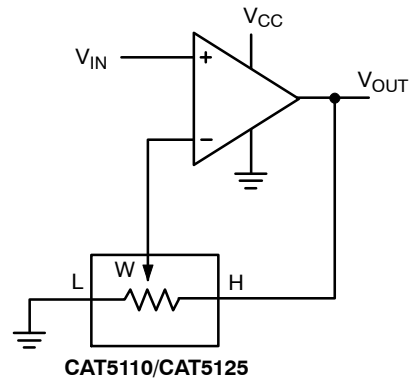


Figure 12. Adjustable Gain Circuit

# CAT5110, CAT5118, CAT5119, CAT5123, CAT5124, CAT5125

**Table 4. ORDERING INFORMATION**

| Device  | Orderable Part Number      | Resistor [kΩ] | Pin Package | Shipping <sup>†</sup> |
|---------|----------------------------|---------------|-------------|-----------------------|
| CAT5110 | CAT5110SDI-10GT3           | 10            | SC70-6      | 3000 / Tape & Reel    |
|         | CAT5110TBI-10-T3           | 10            | SOT23-6     | 3000 / Tape & Reel    |
|         | CAT5110TBI-10GT3           | 10            | SOT23-6     | 3000 / Tape & Reel    |
|         | CAT5110SDI-50GT3           | 50            | SC70-6      | 3000 / Tape & Reel    |
|         | CAT5110TBI-50-T3           | 50            | SOT23-6     | 3000 / Tape & Reel    |
|         | CAT5110TBI-50GT3           | 50            | SOT23-6     | 3000 / Tape & Reel    |
|         | CAT5110SDI-00GT3           | 100           | SC70-6      | 3000 / Tape & Reel    |
|         | CAT5110TBI-00-T3           | 100           | SOT23-6     | 3000 / Tape & Reel    |
| CAT5118 | CAT5118SDI-10GT3           | 10            | SC70-5      | 3000 / Tape & Reel    |
|         | CAT5118TBI-10-T3           | 10            | SOT23-5     | 3000 / Tape & Reel    |
|         | CAT5118TBI-10GT3           | 10            | SOT23-5     | 3000 / Tape & Reel    |
|         | CAT5118SDI-50GT3           | 50            | SC70-5      | 3000 / Tape & Reel    |
|         | CAT5118TBI-50-T3           | 50            | SOT23-5     | 3000 / Tape & Reel    |
|         | CAT5118TBI-50GT3           | 50            | SOT23-5     | 3000 / Tape & Reel    |
|         | CAT5118SDI-00GT3           | 100           | SC70-5      | 3000 / Tape & Reel    |
|         | CAT5118TBI-00-T3           | 100           | SOT23-5     | 3000 / Tape & Reel    |
| CAT5119 | CAT5119SDI-10GT3           | 10            | SC70-6      | 3000 / Tape & Reel    |
|         | CAT5119TBI-10-T3           | 10            | SOT23-6     | 3000 / Tape & Reel    |
|         | CAT5119TBI-10GT3           | 10            | SOT23-6     | 3000 / Tape & Reel    |
|         | CAT5119SDI-50GT3           | 50            | SC70-6      | 3000 / Tape & Reel    |
|         | CAT5119TBI-50-T3           | 50            | SOT23-6     | 3000 / Tape & Reel    |
|         | CAT5119TBI-50GT3           | 50            | SOT23-6     | 3000 / Tape & Reel    |
|         | CAT5119SDI-00GT3           | 100           | SC70-6      | 3000 / Tape & Reel    |
|         | CAT5119TBI-00-T3           | 100           | SOT23-6     | 3000 / Tape & Reel    |
| CAT5123 | CAT5123TBI-10-T3           | 10            | SOT23-5     | 3000 / Tape & Reel    |
|         | CAT5123TBI-10GT3           | 10            | SOT23-5     | 3000 / Tape & Reel    |
|         | CAT5123TBI-50-T3 (Note 7)  | 50            | SOT23-5     | 3000 / Tape & Reel    |
|         | CAT5123TBI-50GT3 (Note 7)  | 50            | SOT23-5     | 3000 / Tape & Reel    |
|         | CAT5123TBI-00-T3 (Note 7)  | 100           | SOT23-5     | 3000 / Tape & Reel    |
|         | CAT5123TBI-00GT3 (Note 7)  | 100           | SOT23-5     | 3000 / Tape & Reel    |
| CAT5124 | CAT5124TBI-10-T3 (Note 7)  | 10            | SOT23-6     | 3000 / Tape & Reel    |
|         | CAT5124TBI-10GT3 (Note 7)  | 10            | SOT23-6     | 3000 / Tape & Reel    |
|         | CAT5124TBI-50-T3           | 50            | SOT23-6     | 3000 / Tape & Reel    |
|         | CAT5124TBI-50GT3           | 50            | SOT23-6     | 3000 / Tape & Reel    |
|         | CAT5124TBI-00-T3 (Note 7)  | 100           | SOT23-6     | 3000 / Tape & Reel    |
|         | CAT5124TBI-00GT3 (Note 7)  | 100           | SOT23-6     | 3000 / Tape & Reel    |
| CAT5125 | CAT5125TBI-10-T3           | 10            | SOT23-6     | 3000 / Tape & Reel    |
|         | CAT5125TBI-10GT3           | 10            | SOT23-6     | 3000 / Tape & Reel    |
|         | CAT5125TBI-50-T3 (Notes 7) | 50            | SOT23-6     | 3000 / Tape & Reel    |
|         | CAT5125TBI-50GT3 (Note 7)  | 50            | SOT23-6     | 3000 / Tape & Reel    |
|         | CAT5125TBI-00-T3 (Notes 7) | 100           | SOT23-6     | 3000 / Tape & Reel    |
|         | CAT5125TBI-00GT3 (Note 7)  | 100           | SOT23-6     | 3000 / Tape & Reel    |

<sup>†</sup>For information on tape and reel specifications, including part orientation and tape sizes, please refer to our Tape and Reel Packaging Specifications Brochure, BRD8011/D.

6. For detailed information and a breakdown of device nomenclature and numbering systems, please see the ON Semiconductor Device Nomenclature document, TND310/D, available at [www.onsemi.com](http://www.onsemi.com).

7. Contact factory for availability.

8. All packages are RoHS-compliant (Pb-Free, Halogen-Free).

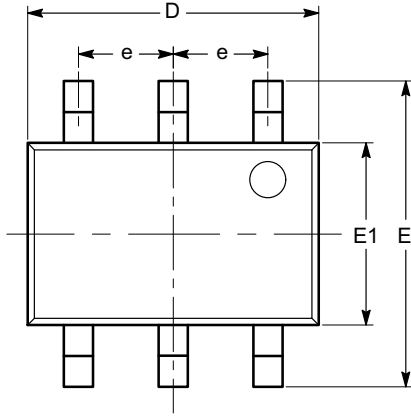
9. The standard finish is NiPdAu.

10. For additional package and temperature options, please contact your nearest ON Semiconductor Sales office.

# CAT5110, CAT5118, CAT5119, CAT5123, CAT5124, CAT5125

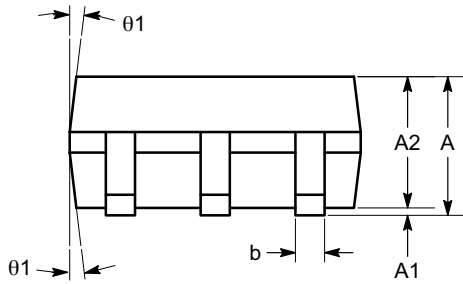
## PACKAGE DIMENSIONS

SC-88 (SC-70 6 Lead), 1.25x2  
CASE 419AD  
ISSUE A

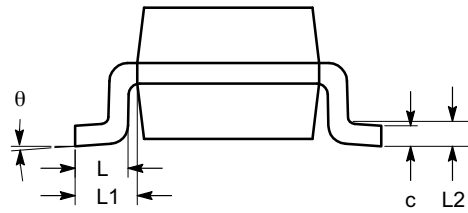


TOP VIEW

| SYMBOL    | MIN      | NOM  | MAX  |
|-----------|----------|------|------|
| A         | 0.80     |      | 1.10 |
| A1        | 0.00     |      | 0.10 |
| A2        | 0.80     |      | 1.00 |
| b         | 0.15     |      | 0.30 |
| c         | 0.10     |      | 0.18 |
| D         | 1.80     | 2.00 | 2.20 |
| E         | 1.80     | 2.10 | 2.40 |
| E1        | 1.15     | 1.25 | 1.35 |
| e         | 0.65 BSC |      |      |
| L         | 0.26     | 0.36 | 0.46 |
| L1        | 0.42 REF |      |      |
| L2        | 0.15 BSC |      |      |
| $\theta$  | 0°       |      | 8°   |
| $\theta1$ | 4°       |      | 10°  |



SIDE VIEW



END VIEW

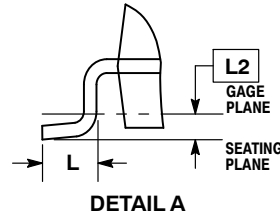
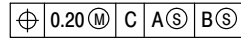
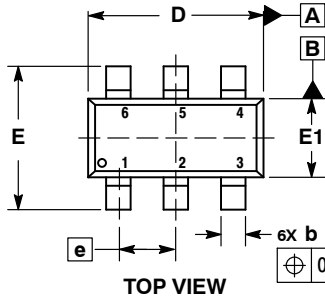
**Notes:**

- (1) All dimensions are in millimeters. Angles in degrees.
- (2) Complies with JEDEC MO-203.



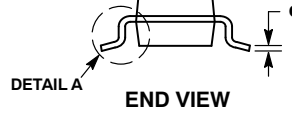
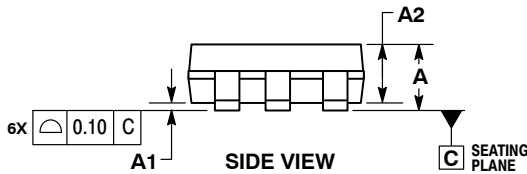
PACKAGE DIMENSIONS

SOT-23, 6 Lead  
CASE 527AJ  
ISSUE B

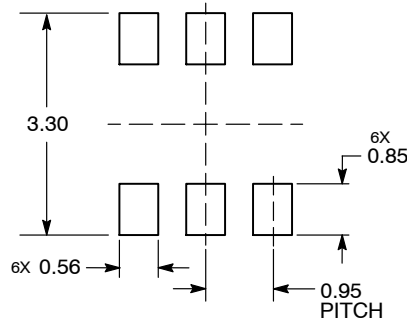


- NOTES:
1. DIMENSIONING AND TOLERANCING PER ASME Y14.5M, 1994.
  2. CONTROLLING DIMENSION: MILLIMETERS.
  3. DATUM C IS THE SEATING PLANE.

| MILLIMETERS |          |      |
|-------------|----------|------|
| DIM         | MIN      | MAX  |
| A           | ---      | 1.45 |
| A1          | 0.00     | 0.15 |
| A2          | 0.90     | 1.30 |
| b           | 0.20     | 0.50 |
| c           | 0.08     | 0.26 |
| D           | 2.70     | 3.00 |
| E           | 2.50     | 3.10 |
| E1          | 1.30     | 1.80 |
| e           | 0.95 BSC |      |
| L           | 0.20     | 0.60 |
| L2          | 0.25 BSC |      |



RECOMMENDED SOLDERING FOOTPRINT\*



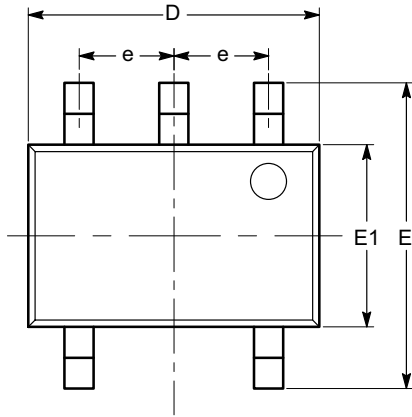
DIMENSIONS: MILLIMETERS

\*For additional information on our Pb-Free strategy and soldering details, please download the ON Semiconductor Soldering and Mounting Techniques Reference Manual, SOLDERRM/D.

# CAT5110, CAT5118, CAT5119, CAT5123, CAT5124, CAT5125

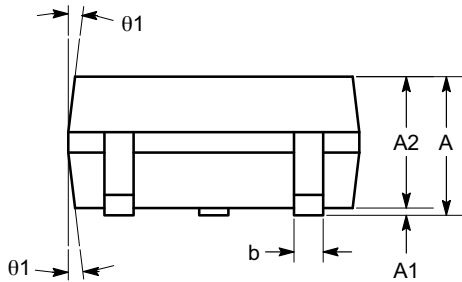
## PACKAGE DIMENSIONS

SC-88A (SC-70 5 Lead), 1.25x2  
CASE 419AC  
ISSUE A

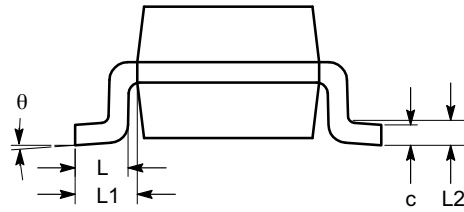


TOP VIEW

| SYMBOL     | MIN      | NOM  | MAX  |
|------------|----------|------|------|
| A          | 0.80     |      | 1.10 |
| A1         | 0.00     |      | 0.10 |
| A2         | 0.80     |      | 1.00 |
| b          | 0.15     |      | 0.30 |
| c          | 0.10     |      | 0.18 |
| D          | 1.80     | 2.00 | 2.20 |
| E          | 1.80     | 2.10 | 2.40 |
| E1         | 1.15     | 1.25 | 1.35 |
| e          | 0.65 BSC |      |      |
| L          | 0.26     | 0.36 | 0.46 |
| L1         | 0.42 REF |      |      |
| L2         | 0.15 BSC |      |      |
| $\theta$   | 0°       |      | 8°   |
| $\theta_1$ | 4°       |      | 10°  |



SIDE VIEW



END VIEW

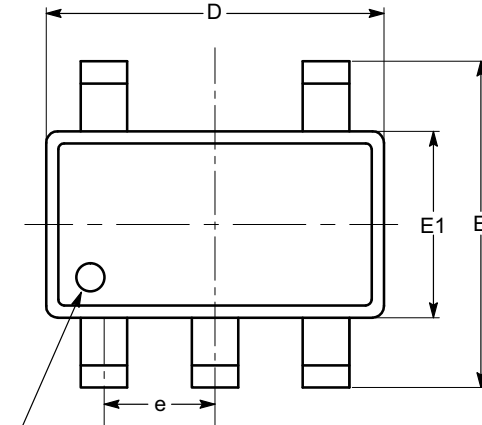
**Notes:**

- (1) All dimensions are in millimeters. Angles in degrees.
- (2) Complies with JEDEC MO-203.

# CAT5110, CAT5118, CAT5119, CAT5123, CAT5124, CAT5125

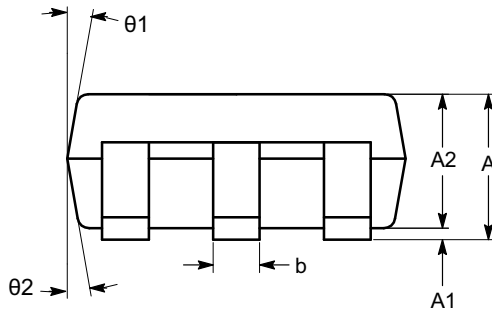
## PACKAGE DIMENSIONS

SOT-23, 5 Lead  
CASE 527AH  
ISSUE O



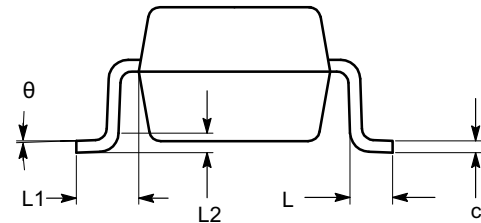
PIN #1 IDENTIFICATION

TOP VIEW



SIDE VIEW


| SYMBOL     | MIN      | NOM  | MAX  |
|------------|----------|------|------|
| A          | 0.90     |      | 1.45 |
| A1         | 0.00     |      | 0.15 |
| A2         | 0.90     | 1.15 | 1.30 |
| b          | 0.30     |      | 0.50 |
| c          | 0.08     |      | 0.22 |
| D          | 2.90 BSC |      |      |
| E          | 2.80 BSC |      |      |
| E1         | 1.60 BSC |      |      |
| e          | 0.95 BSC |      |      |
| L          | 0.30     | 0.45 | 0.60 |
| L1         | 0.60 REF |      |      |
| L2         | 0.25 REF |      |      |
| $\theta$   | 0°       | 4°   | 8°   |
| $\theta 1$ | 5°       | 10°  | 15°  |
| $\theta 2$ | 5°       | 10°  | 15°  |



END VIEW

### Notes:

- (1) All dimensions in millimeters. Angles in degrees.
- (2) Complies with JEDEC standard MO-178.

ON Semiconductor and  are registered trademarks of Semiconductor Components Industries, LLC (SCILLC). SCILLC owns the rights to a number of patents, trademarks, copyrights, trade secrets, and other intellectual property. A listing of SCILLC's product/patent coverage may be accessed at [www.onsemi.com/site/pdf/Patent-Marking.pdf](http://www.onsemi.com/site/pdf/Patent-Marking.pdf). SCILLC reserves the right to make changes without further notice to any products herein. SCILLC makes no warranty, representation or guarantee regarding the suitability of its products for any particular purpose, nor does SCILLC assume any liability arising out of the application or use of any product or circuit, and specifically disclaims any and all liability, including without limitation special, consequential or incidental damages. "Typical" parameters which may be provided in SCILLC data sheets and/or specifications can and do vary in different applications and actual performance may vary over time. All operating parameters, including "Typicals" must be validated for each customer application by customer's technical experts. SCILLC does not convey any license under its patent rights nor the rights of others. SCILLC products are not designed, intended, or authorized for use as components in systems intended for surgical implant into the body, or other applications intended to support or sustain life, or for any other application in which the failure of the SCILLC product could create a situation where personal injury or death may occur. Should Buyer purchase or use SCILLC products for any such unintended or unauthorized application, Buyer shall indemnify and hold SCILLC and its officers, employees, subsidiaries, affiliates, and distributors harmless against all claims, costs, damages, and expenses, and reasonable attorney fees arising out of, directly or indirectly, any claim of personal injury or death associated with such unintended or unauthorized use, even if such claim alleges that SCILLC was negligent regarding the design or manufacture of the part. SCILLC is an Equal Opportunity/Affirmative Action Employer. This literature is subject to all applicable copyright laws and is not for resale in any manner.

### PUBLICATION ORDERING INFORMATION

#### LITERATURE FULFILLMENT:

Literature Distribution Center for ON Semiconductor  
P.O. Box 5163, Denver, Colorado 80217 USA  
Phone: 303-675-2175 or 800-344-3860 Toll Free USA/Canada  
Fax: 303-675-2176 or 800-344-3867 Toll Free USA/Canada  
Email: [orderlit@onsemi.com](mailto:orderlit@onsemi.com)

**N. American Technical Support:** 800-282-9855 Toll Free  
USA/Canada  
**Europe, Middle East and Africa Technical Support:**  
Phone: 421 33 790 2910  
**Japan Customer Focus Center**  
Phone: 81-3-5817-1050

**ON Semiconductor Website:** [www.onsemi.com](http://www.onsemi.com)

**Order Literature:** <http://www.onsemi.com/orderlit>

For additional information, please contact your local Sales Representative