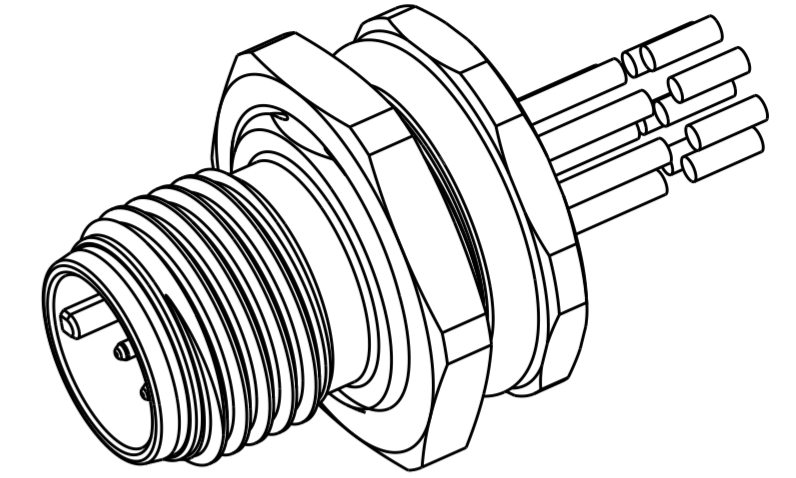
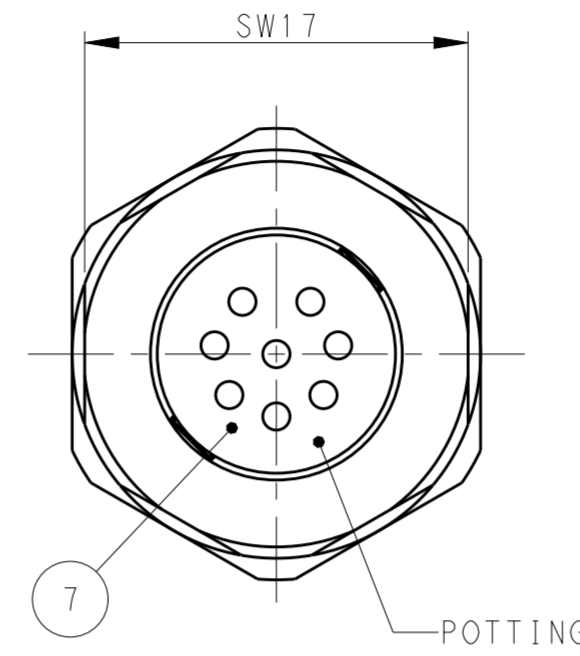
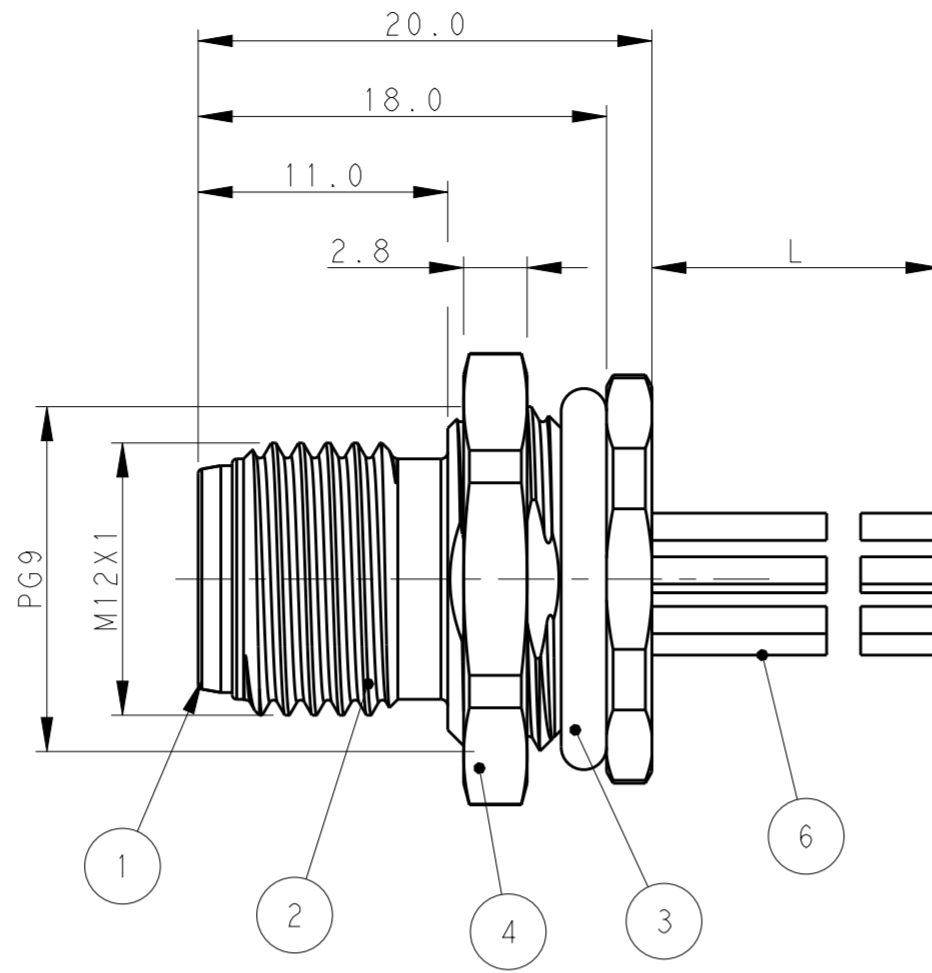
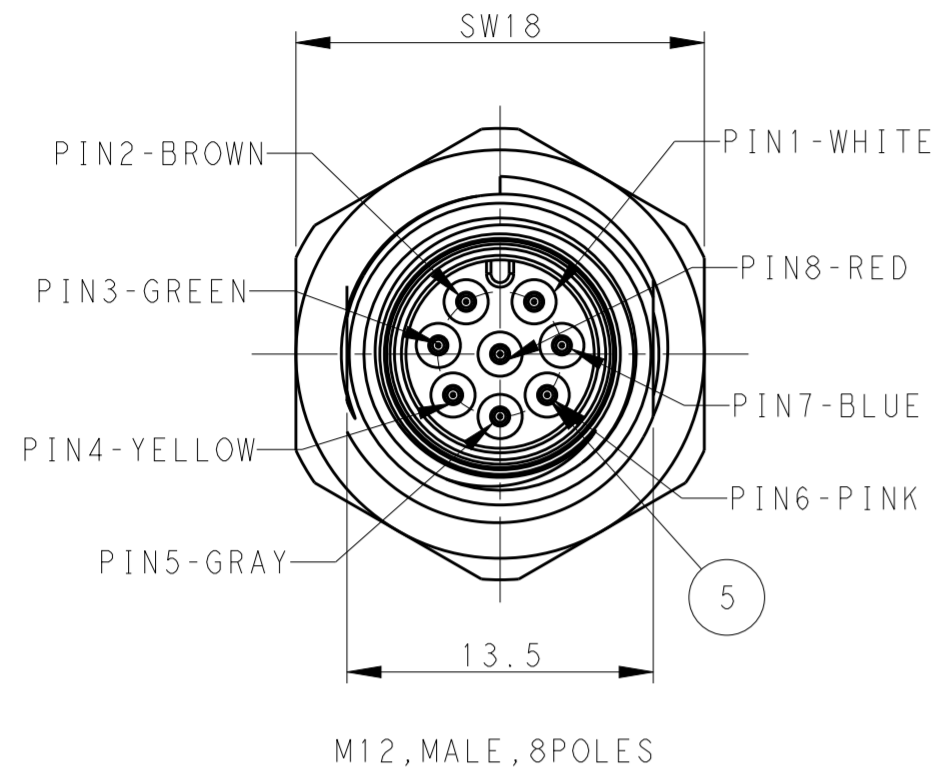


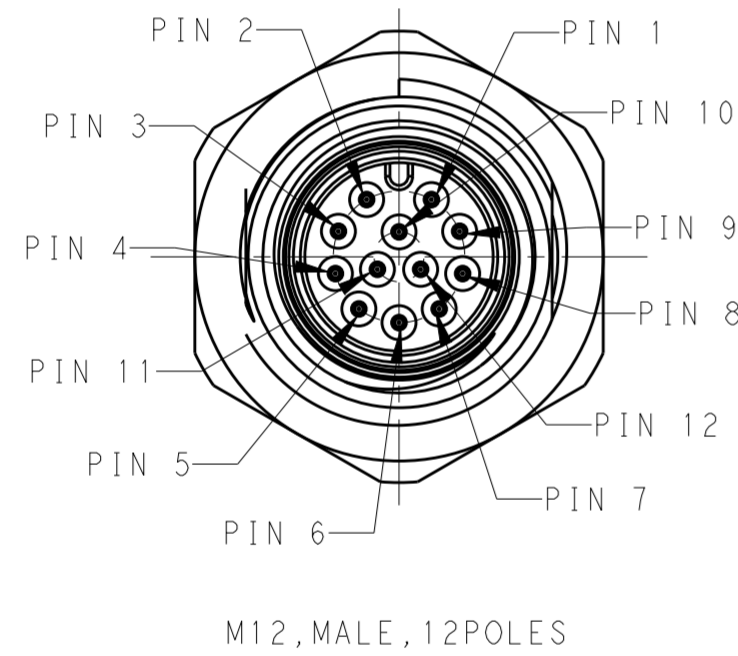
THIS DRAWING IS UNPUBLISHED. RELEASED FOR PUBLICATION  
 © COPYRIGHT copyright.d8Te- ALL RIGHTS RESERVED.

REVISIONS				
P	LTR	DESCRIPTION	DATE	APVD
A		INITIAL RELEASE	03JAN2018	G.W C.W



NOTE:  
 1. TECHNICAL DATA: SEE TABLE 1  
 2. RECOMMENDED MOUNT PANEL SEE DETAIL  
 3. PACKAGING: 1 PIECE IN A BAG  
 4. ALL DIMENSIONS ARE FOR NOMINAL REFERENCE ONLY UNLESS OTHERWISE STATED

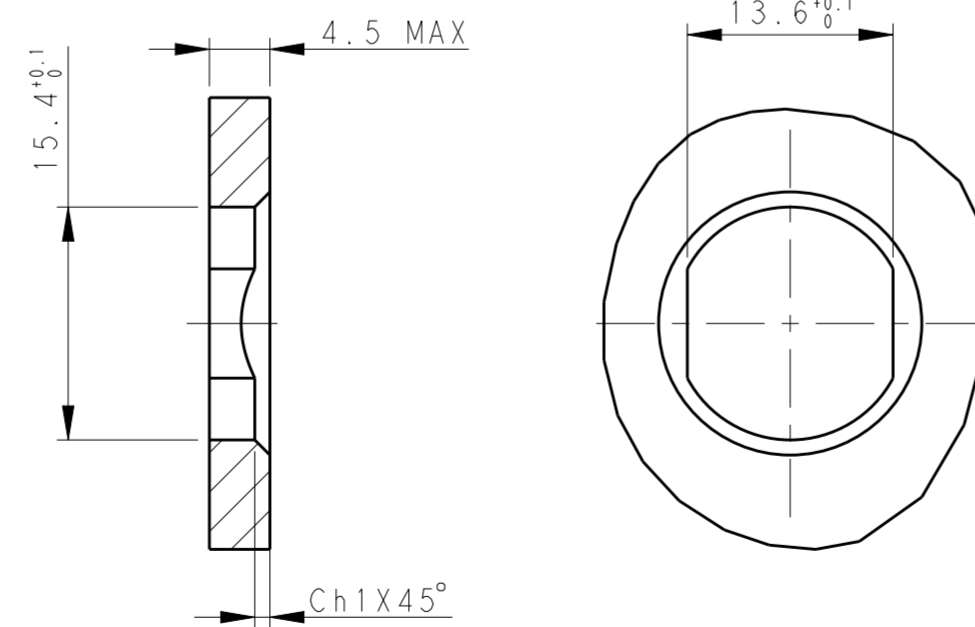
注释:  
 1. 技术参数, 见表1  
 2. 推荐开孔尺寸详见如图所示  
 3. 包装: 1PCS/袋  
 4. 所有尺寸仅供参考, 除非另有说明



WIRES:	CABLE LENGTH	TYPE	POS.	PART NUMBER
0.25MM <sup>2</sup> (24AWG) FOR 8P	-001: 0.2M	RPC-M12-MF-12CON-PG9-X.XLAU	12	T4171030012-00X
0.14MM <sup>2</sup> (26AWG) FOR 12P	-002: 0.5M			
	-003: 1.0M			
	-004: 1.5M			
	-005: 3.0M			
	-006: 5.0M			
	-007: 7.0M			
	-008: 10.0M			
CUSTOMIZATION:	-**0: 00.0M	RPC-M12-MF-8CON-PG9-X.XLAU	8	T4171020008-00X
	-001: **.5M			
	-99*: 0.*M			

TABLE 1

TECHNICAL DATA	T4171020008-00X	T4171030012-00X
RATED VOLTAGE	30V	30V
RATED CURRENT	2A	1.5A
POLLUTION DEGREE	3	3
OVERVOLTAGE CATEGORY	II	II
MATERIAL GROUP	II	II
DEGREE OF PROTECTION	IP67	IP67
OPERATION TEMPERATURE	-40~85°C	-40~85°C



CABLE CHARACTERISTIC	EPOXY RESIN	POTTING ADHESIVE	ITEM
-	-	CABLE	7
GOLD PLATED	COPPER ALLOY	CONTACT	5
NICKEL PLATED	COPPER ALLOY	METAL NUT	4
-	-	O-RING	3
NICKEL PLATED	COPPER ALLOY	M12, MALE, METAL BODY	2
-	PA66	M12, MALE HSG	1
OTHERS	MATERIAL	DESCRIPTION	ITEM

THIS DRAWING IS A CONTROLLED DOCUMENT.

DWN: GAVIN WANG 03JAN2018  
 CHK: KEVIN HUANG 03JAN2018  
 APVD: CHRIS WANG 03JAN2018

TE Connectivity

M12 PANEL MOUNT CONNECTOR

A CODE, MALE, REAR MOUNT, WHIT WIRE

SIZE: A2 CAGE CODE: - DRAWING NO: T417102000800X

SCALE: 3:1 SHEET: 1 OF 1 REV: A