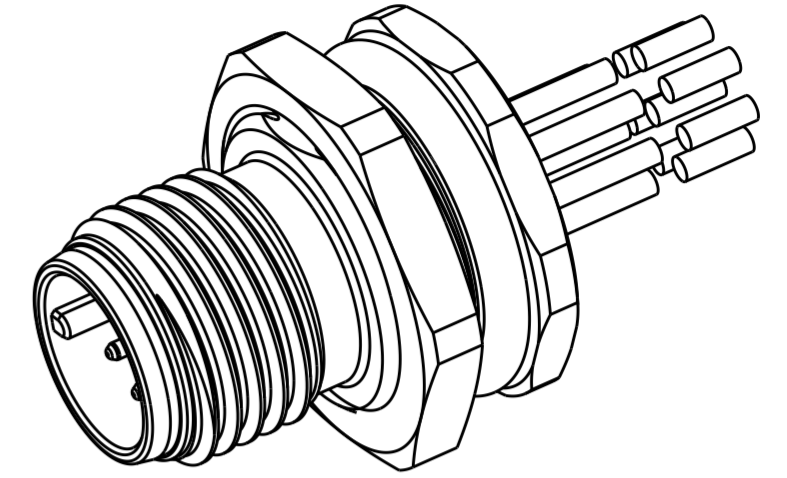
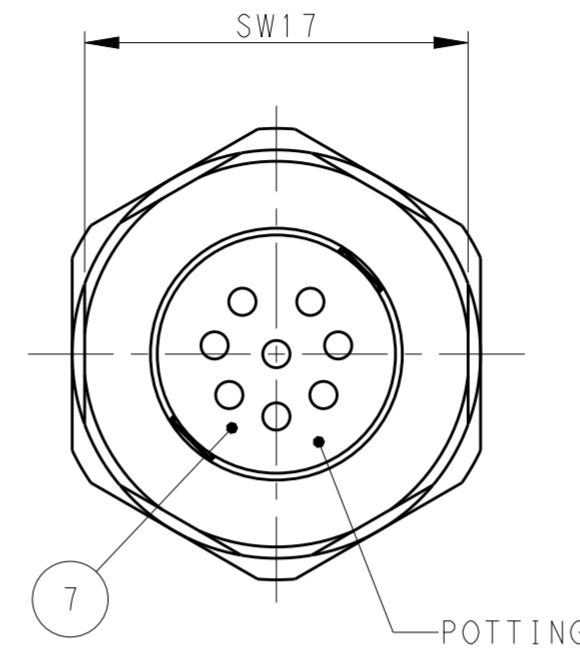
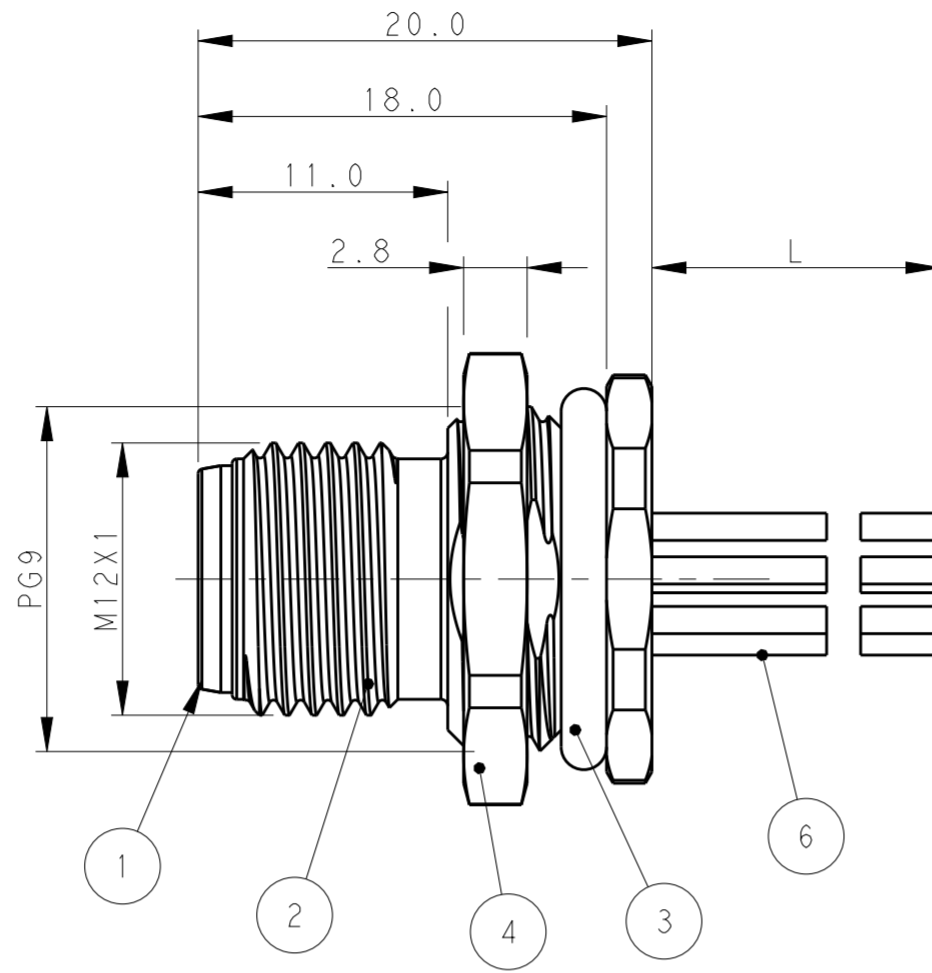
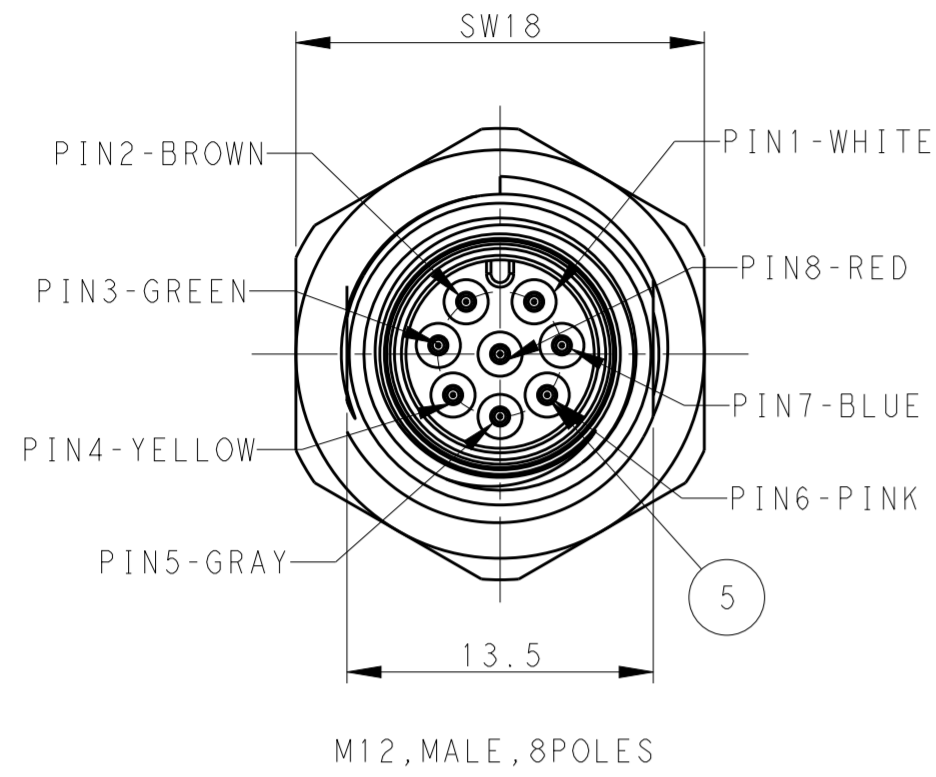


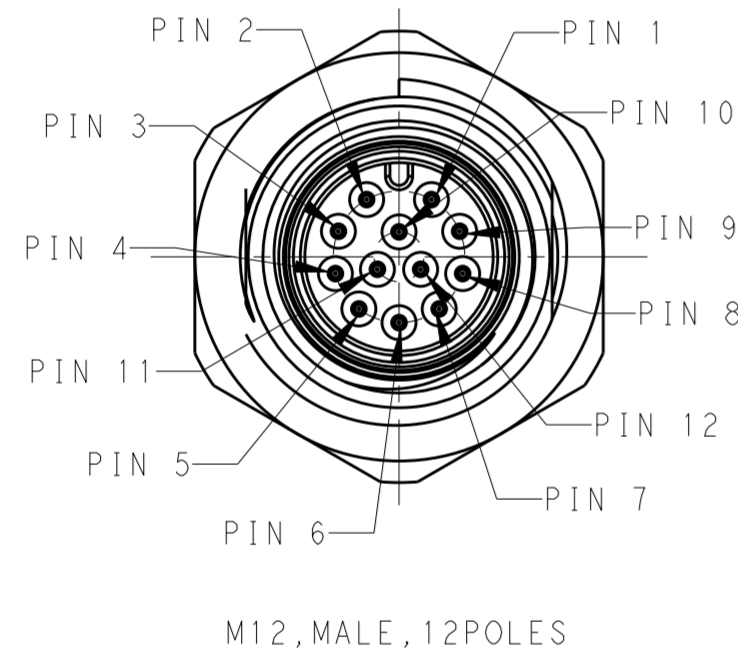
THIS DRAWING IS UNPUBLISHED. RELEASED FOR PUBLICATION
 © COPYRIGHT copyright.d8Te- ALL RIGHTS RESERVED.

REVISIONS				
P	LTR	DESCRIPTION	DATE	APVD
A		INITIAL RELEASE	03JAN2018	G.W C.W



NOTE:
 1. TECHNICAL DATA: SEE TABLE 1
 2. RECOMMENDED MOUNT PANEL SEE DETAIL
 3. PACKAGING: 1 PIECE IN A BAG
 4. ALL DIMENSIONS ARE FOR NOMINAL REFERENCE ONLY UNLESS OTHERWISE STATED

注释:
 1. 技术参数, 见表1
 2. 推荐开孔尺寸详见如图所示
 3. 包装: 1PCS/袋
 4. 所有尺寸仅供参考, 除非另有说明

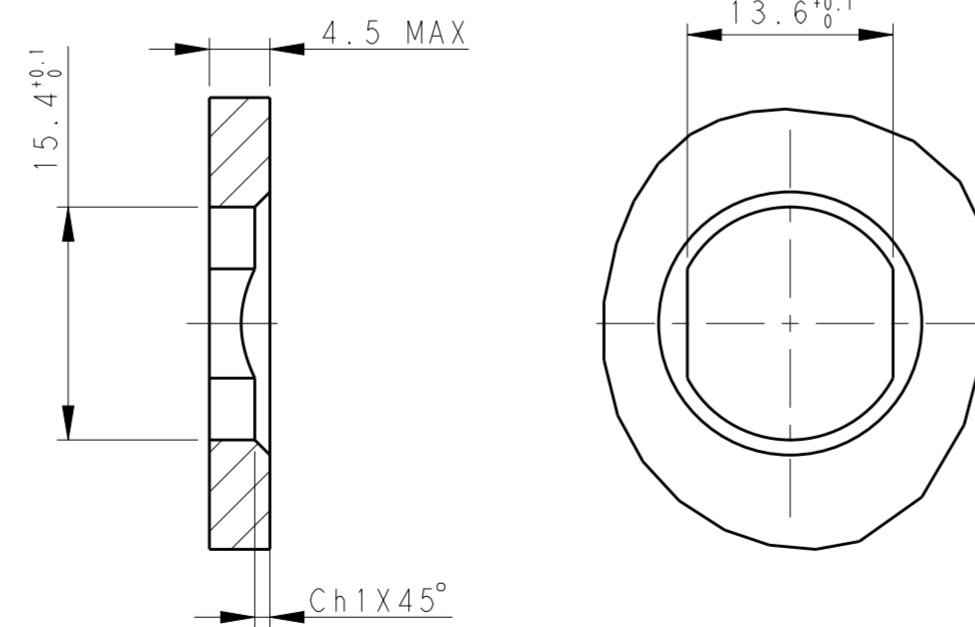


CIRCUIT DIAGRAM

WIRES:	CABLE LENGTH	TYPE	POS.	PART NUMBER
0.25MM^2(24AWG) FOR 8P	-001: 0.2M	RPC-M12-MF-12CON-PG9-X.XLAU	12	T4171030012-00X
0.14MM^2(26AWG) FOR 12P	-002: 0.5M -003: 1.0M -004: 1.5M -005: 3.0M -006: 5.0M -007: 7.0M -008: 10.0M			
	CUSTOMIZATION: - **0: 00.0M -001: ** .5M -99*: 0.*M	RPC-M12-MF-8CON-PG9-X.XLAU	8	T4171020008-00X

TABLE 1

TECHNICAL DATA	T4171020008-00X	T4171030012-00X
RATED VOLTAGE	30V	30V
RATED CURRENT	2A	1.5A
POLLUTION DEGREE	3	3
OVERVOLTAGE CATEGORY	II	II
MATERIAL GROUP	II	II
DEGREE OF PROTECTION	IP67	IP67
OPERATION TEMPEATURE	-40~85°C	-40~85°C



RECOMMENDED PANEL CUTOUT

CABLE CHARACTERISTIC	EPOXY RESIN	POTTING ADHESIVE	ITEM
-	-	CABLE	7
GOLD PLATED	COPPER ALLOY	CONTACT	5
NICKEL PLATED	COPPER ALLOY	METAL NUT	4
-	-	O-RING	3
NICKEL PLATED	COPPER ALLOY	M12, MALE, METAL BODY	2
-	PA66	M12, MALE HSG	1
OTHERS	MATERIAL	DESCRIPTION	ITEM

THIS DRAWING IS A CONTROLLED DOCUMENT.

DWN: GAVIN WANG 03JAN2018
 CHK: KEVIN HUANG 03JAN2018
 APVD: CHRIS WANG 03JAN2018

TE Connectivity

M12 PANEL MOUNT CONNECTOR

A CODE, MALE, REAR MOUNT, WHIT WIRE

SIZE: A2 CAGE CODE: - DRAWING NO: T417102000800X

SCALE: 3:1 SHEET 1 OF 1 REV A