

FCI CONFIDENTIAL

FCI

This document is the property of and embodies CONFIDENTIAL and PROPRIETARY information of FCI. No part of the information shown on this document may be used in any way or disclosed to others without the written consent of FCI. Copyright FCI.

PRODUCT NO.	DIM "L"	CABLE	DIM "M"	JACKET COLOR	CABLE DIA. "MM"
10077780-R0300YYLF	3000	COAXIAL(30AWG)	100±10	GRAY	13.5
10077780-R1000YYLF	10000	COAXIAL(30AWG)	100±10	GRAY	13.5
10077780-R2000YYLF	20000	COAXIAL(30AWG)	100±10	GRAY	13.5
10077780-R3000YYLF	30000	COAXIAL(30AWG)	100±10	GRAY	13.5
10077780-N0300YYLF	3000	TWISTED PAIR(26AWG)	20±5	GRAY	10.0
10077780-N1000YYLF	10000	TWISTED PAIR(26AWG)	20±5	GRAY	10.0
10077780-N2000YYLF	20000	TWISTED PAIR(26AWG)	20±5	GRAY	10.0
10077780-N3000YYLF	30000	TWISTED PAIR(26AWG)	20±5	GRAY	10.0
10077780-N5000YYLF	50000	TWISTED PAIR(26AWG)	20±5	GRAY	10.0

NOTES:

1. PRODUCT ELECTRICAL SPECIFICATIONS:

HI-POT TEST:

TWISTED PAIR:500V DC / CURRENT 0.1mA

COAXIAL:250V DC/0.1mA

DIELECTRIC WITHSTANDING VOLTAGE:

TWISTED PAIR: 300V DC / 100MEGE OHMS(CONNECTION RESISTANCE:50 OHMS)

COAXIAL CABLE: 250V / 50 MEGE OHMS(CONNECTION RESISTANCE:50 OHMS)

COAXIAL CABLE: 250V / 20 MEGE OHMS(ONLY FOR 30METERS)(CONNECTION RESISTANCE:50 OHMS)

REQUEST: NO INTERMITTENT

2. ROHS COMPATIBLE

3. IF COAXIAL CABLE, IMPEDANCE REQUEST:75 OHMS

4. IF TWISTED PAIR CABLE, IMPEDANCE REQUEST:120 OHMS

5. COMPONENT

COVER: ZINC ALLOYS DIE CASTING

METRAL SHIELD: STAINLESS STEEL

FERRULE: COPPER ALLOY

GROMMET: PLASTIC UL94V-0

SCREW: STEEL

CABLE: TWISTED PAIR CABLE: 22PAIRS*26AWG

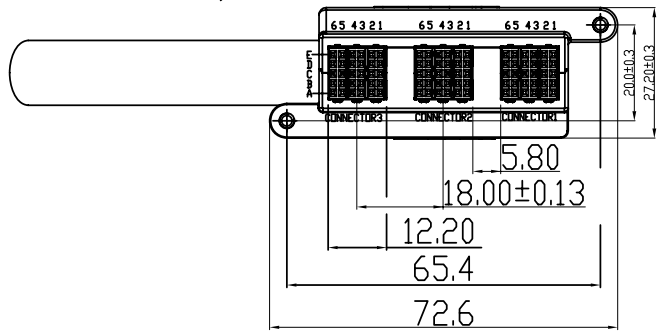
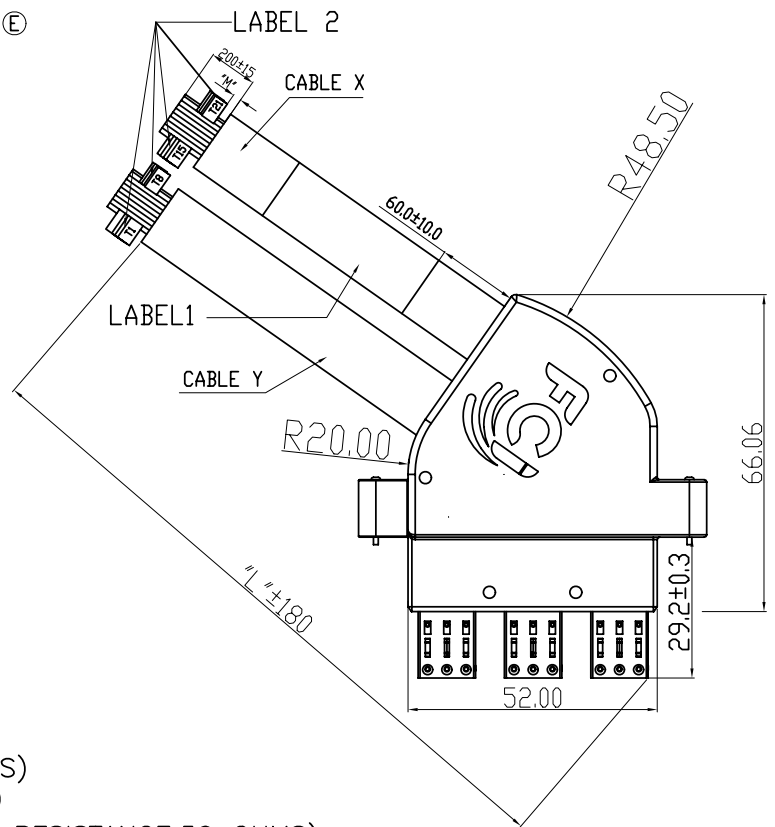
COAXIAL: 21 PCS COAXIAL WIRE*30AWG

TERMINAL BLOCK

INSULATOR: GLASS FIBER 612 POLYAMIDE

TERMINAL: PHOSPHOR BRONZE

6. PACKAGE SPECIFICATION REFER TO GS-14-1215.

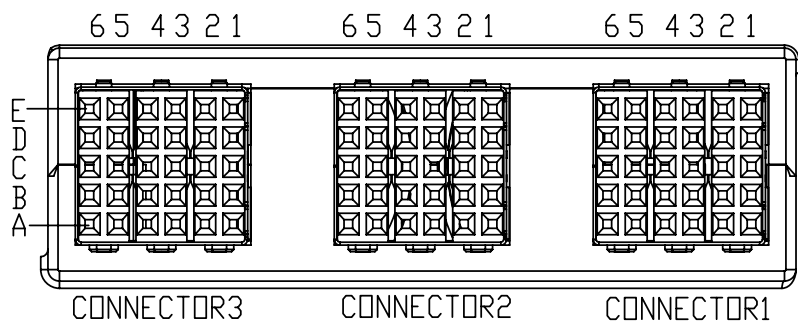
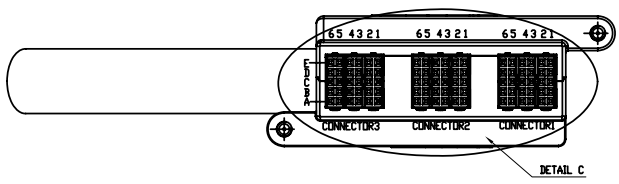
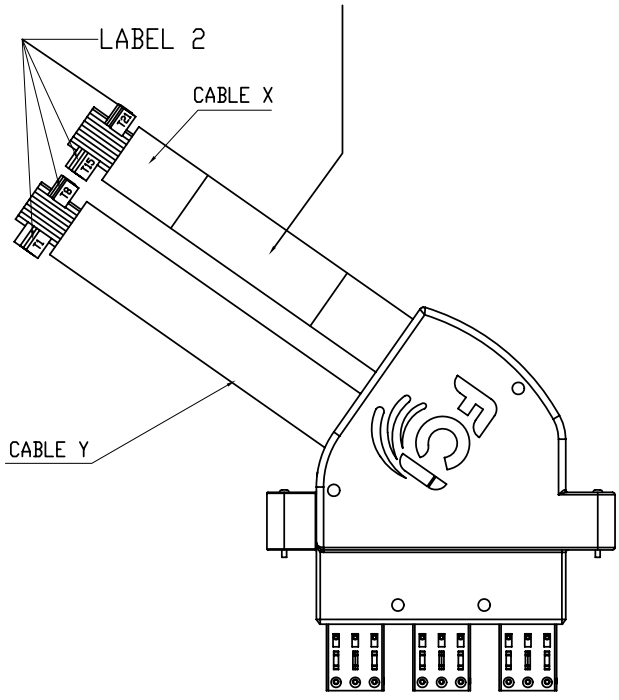


rev	ecn no	dr	date
A	N07-0118	MZ	06/28/07
B	N07-0128	MZ	07/10/07
C	N07-0191	MZ	08/23/07
D	N09-0262	GW	08/17/09
E	ELX-N-18336-1	DONG	07/10/14

www.fciconnect.com		surface - ✓	tolerance std -	projection -	mm
		TOLERANCES UNLESS OTHERWISE SPECIFIED			
Dr	TANG DONG	07/10/14	ANGULAR	0.X	±-
Eng	TANG DONG	07/10/14	LINEAR	0.XX	±-
Chr	DELHLY LIU	07/10/14	0° ±'	0.XXX	±-
Appr	FRANK MAD	07/10/14	Product family	C&A	Spec ref
title		METRAL CABLE ASS'Y FOR TELECOM I/O E1 ACCESS		dwg no	10077780
catalog no		-		CUSTOMER	sheet 1 of 5

FCI CONFIDENTIAL

SEE TABLE1&TABLE2



DETAIL C

WIRE LIST 1			
CONNECTOR1		PAIR NO.	LABEL 2
PIN NO.	DESCRIPTION		
E6	RED	X-7	T-7
E5	ORANGE		
D6	RED	X-6	T-6
D5	BLUE		
E4	WHITE	X-5	T-5
E3	GRAY		
D4	WHITE	X-4	T-4
D3	BROWN		
C4	WHITE	X-3	T-3
C3	GREEN		
E2	WHITE	X-2	T-2
E1	ORANGE		
D2	WHITE	X-1	T-1
D1	BLUE		
C6	SHORT CIRCUIT		
C5	SHORT CIRCUIT		
B6	YELLOW	X-18	R-7
B5	GREEN		
A6	YELLOW	X-17	R-6
A5	ORANGE		
B4	YELLOW	X-16	R-5
B3	BLUE		
A4	BLACK	X-15	R-4
A3	GRAY		
C2	BLACK	X-14	R-3
C1	BROWN		
B2	BLACK	X-13	R-2
B1	GREEN		
A2	BLACK	X-12	R-1
A1	ORANGE		
COVER	BRAID		

WIRE LIST 2			
CONNECTOR2		PAIR NO.	LABEL 2
PIN NO.	DESCRIPTION		
E6	WHITE	Y-4	T-14
E5	BROWN		
D6	WHITE	Y-3	T-13
D5	GREEN		
E4	WHITE	Y-2	T-12
E3	ORANGE		
D4	BLACK	X-11	T-11
D3	BLUE		
C4	RED	X-10	T-10
C3	GRAY		
E2	RED	X-9	T-9
E1	BROWN		
D2	RED	X-8	T-8
D1	GREEN		
C6	SHORT CIRCUIT		
C5	SHORT CIRCUIT		
B6	BLACK	Y-14	R-14
B5	BROWN		
A6	BLACK	Y-13	R-13
A5	GREEN		
B4	BLACK	Y-12	R-12
B3	ORANGE		
A4	WHITE	Y-1	R-11
A3	BLUE		
C2	PURPLE	X-21	R-10
C1	BLUE		
B2	YELLOW	X-20	R-9
B1	GRAY		
A2	YELLOW	X-19	R-8
A1	BROWN		
COVER	BRAID		

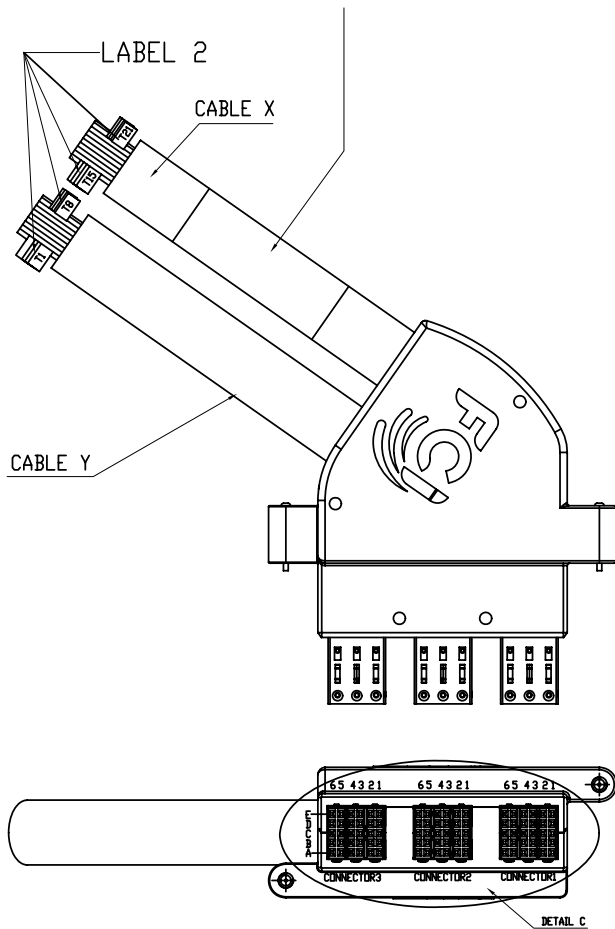
WIRE LIST 3			
CONNECTOR3		PAIR NO.	LABEL 2
PIN NO.	DESCRIPTION		
E6	BLACK	Y-11	T-21
E5	BLUE		
D6	RED	Y-10	T-20
D5	GRAY		
E4	RED	Y-9	T-19
E3	BROWN		
D4	RED	Y-8	T-18
D3	GREEN		
C4	RED	Y-7	T-17
C3	ORANGE		
E2	RED	Y-6	T-16
E1	BLUE		
D2	WHITE	Y-5	T-15
D1	GRAY		
C6	SHORT CIRCUIT		
C5	SHORT CIRCUIT		
B6	PURPLE	Y-21	R-21
B5	BLUE		
A6	YELLOW	Y-20	R-20
A5	GRAY		
B4	YELLOW	Y-19	R-19
B3	BROWN		
A4	YELLOW	Y-18	R-18
A3	GREEN		
C2	YELLOW	Y-17	R-17
C1	ORANGE		
B2	YELLOW	Y-16	R-16
B1	BLUE		
A2	BLACK	Y-15	R-15
A1	GRAY		
COVER	BRAID		

www.fciconnect.com		surface - ✓	tolerance std -	projection	mm
		TOLERANCES UNLESS OTHERWISE SPECIFIED		← →	
Dr	TANG DONG	07/10/14	ANGULAR	0.X	±
Eng	TANG DONG	07/10/14	LINEAR	0.XX	±
Chr	DELHLY LIU	07/10/14	0° ±'	0.XXX	±
Appr	FRANK MAD	07/10/14	Product family		C&A
title		METRAL CABLE ASS'Y FOR TELECOM I/O E1 ACCESS		10077780	
catalog no		-		CUSTOMER	
sheet 2 of 5		-		-	

This document is the property of and embodies CONFIDENTIAL and PROPRIETARY information of FCI. No part of the information shown on this document may be used in any way or disclosed to others without the written consent of FCI. Copyright FCI.

FCI CONFIDENTIAL

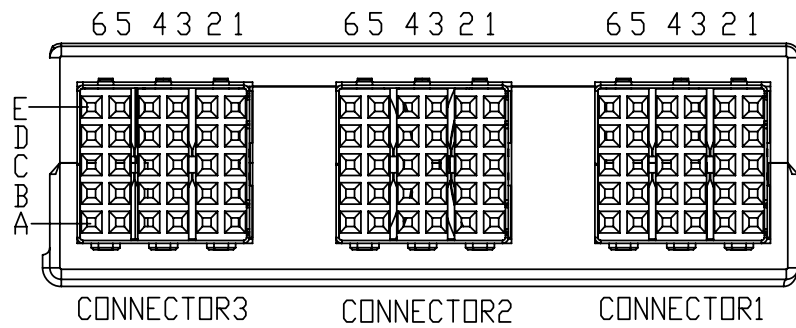
SEE TABLE1&TABLE2



WIRE LIST 1			
CONNECTOR1		PAIR NO.	LABEL2
PIN NO.	DESCRIPTION		
E6	Inner conduct(core)	X-7	T-7
E5	DRAIN WIRE		
D6	Inner conduct(core)	X-6	T-6
D5	DRAIN WIRE		
E4	Inner conduct(core)	X-5	T-5
E3	DRAIN WIRE		
D4	Inner conduct(core)	X-4	T-4
D3	DRAIN WIRE		
C4	Inner conduct(core)	X-3	T-3
C3	DRAIN WIRE		
E2	Inner conduct(core)	X-2	T-2
E1	DRAIN WIRE		
D2	Inner conduct(core)	X-1	T-1
D1	DRAIN WIRE		
C6	SHORT CIRCUIT		
C5	SHORT CIRCUIT		
B6	Inner conduct(core)	X-18	R-7
B5	DRAIN WIRE		
A6	Inner conduct(core)	X-17	R-6
A5	DRAIN WIRE		
B4	Inner conduct(core)	X-16	R-5
B3	DRAIN WIRE		
A4	Inner conduct(core)	X-15	R-4
A3	DRAIN WIRE		
C2	Inner conduct(core)	X-14	R-3
C1	DRAIN WIRE		
B2	Inner conduct(core)	X-13	R-2
B1	DRAIN WIRE		
A2	Inner conduct(core)	X-12	R-1
A1	DRAIN WIRE		
COVER	BRAID		

WIRE LIST 2			
CONNECTOR2		PAIR NO.	LABEL2
PIN NO.	DESCRIPTION		
E6	Inner conduct(core)	Y-4	T-14
E5	DRAIN WIRE		
D6	Inner conduct(core)	Y-3	T-13
D5	DRAIN WIRE		
E4	Inner conduct(core)	Y-2	T-12
E3	DRAIN WIRE		
D4	Inner conduct(core)	X-11	T-11
D3	DRAIN WIRE		
C4	Inner conduct(core)	X-10	T-10
C3	DRAIN WIRE		
E2	Inner conduct(core)	X-9	T-9
E1	DRAIN WIRE		
D2	Inner conduct(core)	X-8	T-8
D1	DRAIN WIRE		
C6	SHORT CIRCUIT		
C5	SHORT CIRCUIT		
B6	Inner conduct(core)	Y-14	R-14
B5	DRAIN WIRE		
A6	Inner conduct(core)	Y-13	R-13
A5	DRAIN WIRE		
B4	Inner conduct(core)	Y-12	R-12
B3	DRAIN WIRE		
A4	Inner conduct(core)	Y-1	R-11
A3	DRAIN WIRE		
C2	Inner conduct(core)	X-21	R-10
C1	DRAIN WIRE		
B2	Inner conduct(core)	X-20	R-9
B1	DRAIN WIRE		
A2	Inner conduct(core)	X-19	R-8
A1	DRAIN WIRE		
COVER	BRAID		

WIRE LIST 3			
CONNECTOR3		PAIR NO.	LABEL2
PIN NO.	DESCRIPTION		
E6	Inner conduct(core)	Y-11	T-21
E5	DRAIN WIRE		
D6	Inner conduct(core)	Y-10	T-20
D5	DRAIN WIRE		
E4	Inner conduct(core)	Y-9	T-19
E3	DRAIN WIRE		
D4	Inner conduct(core)	Y-8	T-18
D3	DRAIN WIRE		
C4	Inner conduct(core)	Y-7	T-17
C3	DRAIN WIRE		
E2	Inner conduct(core)	Y-6	T-16
E1	DRAIN WIRE		
D2	Inner conduct(core)	Y-5	T-15
D1	DRAIN WIRE		
C6	SHORT CIRCUIT		
C5	SHORT CIRCUIT		
B6	Inner conduct(core)	Y-21	R-21
B5	DRAIN WIRE		
A6	Inner conduct(core)	Y-20	R-20
A5	DRAIN WIRE		
B4	Inner conduct(core)	Y-19	R-19
B3	DRAIN WIRE		
A4	Inner conduct(core)	Y-18	R-18
A3	DRAIN WIRE		
C2	Inner conduct(core)	Y-17	R-17
C1	DRAIN WIRE		
B2	Inner conduct(core)	Y-16	R-16
B1	DRAIN WIRE		
A2	Inner conduct(core)	Y-15	R-15
A1	DRAIN WIRE		
COVER	BRAID		



DETAIL C

www.fciconnect.com		surface - ✓	tolerance std -	projection -	mm
		TOLERANCES UNLESS OTHERWISE SPECIFIED			
Dr	TANG DONG	07/10/14	ANGULAR	0.X	±
Eng	TANG DONG	07/10/14	LINEAR	0.XX	±
Chr	DELHLY LIU	07/10/14	0° ±'	0.XXX	±
Appr	FRANK MAD	07/10/14	Product family	C&A	Spec ref
FCI title		METRAL CABLE ASS'Y FOR TELECOM I/O E1 ACCESS		orig no	10077780
catalog no		CUSTOMER		sheet 3 of 5	

This document is the property of and embodies CONFIDENTIAL and PROPRIETARY information of FCI. No part of the information shown on this document may be used in any way or disclosed to others without the written consent of FCI. Copyright FCI.

1

2 3

4

5

6

FOR COAXIAL CABLE ASS'Y (E)

ITEM	DESCRIPTION	Q'TY
1	CABLE	AR
2	TOP COVER	1
3	BOTTOM COVER	1
4	SHIELD 1	3
5	SHIELD 2	3
6	FERRULE	2
7	GROMMET	2
8	TERMINAL BLOCK 1	6
9	TERMINAL BLOCK 2	3
10	COVER SCREW	4
11	JACKSCREW	2
12	LABEL 1	1
13	LABEL 2	42
14	COPPER FOIL	AR
15	HEAT SHRINK TUBE(ID:0.6)	AR
16	HEAT SHRINK TUBE(ID: 2.0)	AR

FOR TWISTED PAIR CABLE ASS'Y (E)

ITEM	DESCRIPTION	Q'TY
1	CABLE	AR
2	TOP COVER	1
3	BOTTOM COVER	1
4	SHIELD 1	3
5	SHIELD 2	3
6	FERRULE	2
7	GROMMET	2
8	TERMINAL BLOCK 1	6
9	TERMINAL BLOCK 2	3
10	COVER SCREW	4
11	JACKSCREW	2
12	LABEL 1	1
13	LABEL 2	42
14	COPPER FOIL	AR

FCI CONFIDENTIAL

FCI

This document is the property of and embodies CONFIDENTIAL and PROPRIETARY information of FCI. No part of the information shown on this document may be used in any way or disclosed to others without the written consent of FCI.
Copyright FCI.

B

C

D

Form: A3

3

4 PDS: Rev :E

STATUS: Released

Printed: Jul 22, 2014

www.fciconnect.com		surface - ✓	tolerance std -	projection -	mm
		TOLERANCES UNLESS OTHERWISE SPECIFIED		↔	
Dr	TANG DONG	07/10/14	ANGULAR	0.X	±-
Eng	TANG DONG	07/10/14	LINEAR	0.XX	±-
Chr	DELHLY LIU	07/10/14	0° ±'	0.XXX	±-
Appr	FRANK MAD	07/10/14	Product family	C&A	Spec ref
title		METRAL CABLE ASS'Y FOR TELECOM I/O E1 ACCESS		dwg no	
catalog no		-		10077780	
		CUSTOMER		sheet 4 of 5	
				Rev. E	

TABLE1 FOR TWIST PAIR

CONTENT OF LABEL						
LENGTH (FCI P/N)	FDR 10 M LONG (10077780-N1000YYLF)	FDR 20 M LONG (10077780-N2000YYLF)	FDR 30 M LONG (10077780-N3000YYLF)	FDR 3 M LONG (10077780-N0300YYLF)	FDR 50 M LONG (10077780-N5000YYLF)	FDR 15 M LONG (10077780-N1500YYLF)
LABEL CONTENT	400-30-50243(2) V42256-T55-A100 120 OHMS YYYY MM DD	400-30-502***(2) V42256-T55-A200 120 OHMS YYYY MM DD	400-30-50245(2) V42256-T55-A300 120 OHMS YYYY MM DD	400-30-50255(2) V42256-T55-A*** 120 OHMS YYYY MM DD	400-30-*(2) V42256-T55-A500 120 OHMS YYYY MM DD	400-30-*(2) V42256-T55-A* 120 OHMS YYYY MM DD

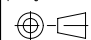
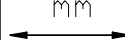

TABLE2 FOR COAXIAL

CONTENT OF LABEL					
LENGTH (FCI P/N)	FDR 10M LONG (10077780-R1000YYLF)	FDR 20M LONG (10077780-R2000YYLF)	FDR 30M LONG (10077780-R3000YYLF)	FDR 3 M LONG (10077780-R0300YYLF)	FDR 12 M LONG (10077780-R1200YYLF)
LABEL CONTENT	400-30-50242(2) V42256-T54-A100 75 OHMS YYYY MM DD	400-30-502***(2) V42256-T54-A200 75 OHMS YYYY MM DD	400-30-50244(2) V42256-T54-A300 75 OHMS YYYY MM DD	400-30-50254(2) V42256-T54-A*** 75 OHMS YYYY MM DD	400-30-*(2) V42256-T54-A*** 75 OHMS YYYY MM DD

FCI CONFIDENTIAL

This document is the property of and embodies CONFIDENTIAL and PROPRIETARY information of FCI. No part of the information shown on this document may be used in any way or disclosed to others without the written consent of FCI. Copyright FCI.

FCI FCIconnect.com

www.fciconnect.com		surface - ✓	tolerance std -	projection 	mm 
		TOLERANCES UNLESS OTHERWISE SPECIFIED			
Dr	TANG DONG	07/10/14	ANGULAR	0.X ±-	size A3 Scale NTS
Eng	TANG DONG	07/10/14	LINEAR	0.XX ±-	
Chr	DELHLY LIU	07/10/14	0° ±'	0.XXX ±-	ECN No. ELX-N-18336-1
Appr	FRANK MAD	07/10/14	Product family C&A		Spec ref -
		title METRAL CABLE ASS'Y FOR TELECOM I/O E1 ACCESS		dwg no 10077780	Rev. E
catalog no -		CUSTOMER		sheet 5 of 5	