

THIS DRAWING IS UNPUBLISHED.

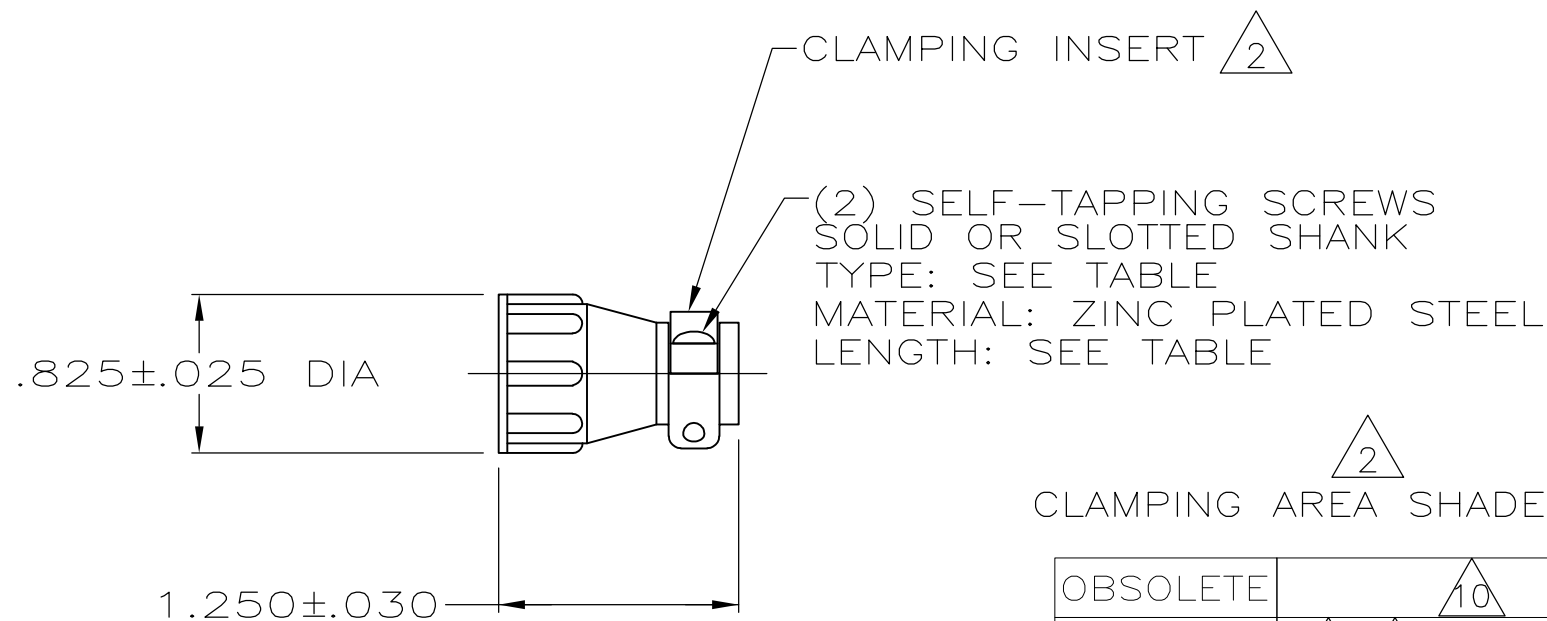
RELEASED FOR PUBLICATION

ALL RIGHTS RESERVED.

© COPYRIGHT - By -

REVISIONS

P	LTR	DESCRIPTION	DATE	DWN	APVD
	V1	REVISED PER ECO-15-002073	06MAY2015	NK	MZ
	W	REVISED PER ECR-16-017870	20APR2017	BDA	MZ



- 1 PARTS PACKAGED UNASSEMBLED.
- $\triangle 2$ CABLE CLAMPING AREA ADJUSTABLE FROM .004 TO .055 SQ IN BY REVERSING CLAMPING INSERTS.
- 3 .329 MAXIMUM CABLE OUTSIDE DIAMETER.
- $\triangle 4$ BULK PACKAGED KITS TO BE ORDERED IN MULTIPLES OF 800 ONLY.
- $\triangle 5$ OBSOLETE PART NUMBER.
- $\triangle 6$ STAINLESS STEEL (NON MAGNATIC).
- $\triangle 7$ CABLE CLAMP WITH NON-MAGNETIC STAINLESS STEEL SCREWS.
- $\triangle 8$ ZINC PLATED STEEL, NON-HEXAVALENT CHROMATE.

- $\triangle 9$ OBSOLETE PARTS: OBSOLETE CIS STREAMLINING PER D.RENAUD/D.SINISI
- $\triangle 10$ SPECIAL PACKAGING CONSISTING OF 1 KIT PER INDIVIDUAL BAG, 20 INDIVIDUAL BAGS PER LARGER BAG, 5 LARGER BAGS PER SHIPPER BOX.

OBSOLETE	$\triangle 10$		$\triangle 8$.50 ⁺ _{-.05}	#5-20	2-206062-0
OBSOLETE	$\triangle 7$ $\triangle 4$	BULK	$\triangle 6$.50 ⁺ _{-.05}	#5-20	1-206062-9
	$\triangle 4$	BULK	$\triangle 8$.50 ⁺ _{-.05}	#5-20	1-206062-7
		INDIVIDUAL	$\triangle 8$.38 ⁺ _{-.05}	#5-20	1-206062-6
	$\triangle 4$	BULK	$\triangle 8$.38 ⁺ _{-.05}	#5-20	1-206062-5
		INDIVIDUAL	$\triangle 8$.50 ⁺ _{-.05}	#5-20	1-206062-4
		INDIVIDUAL	$\triangle 8$.62 ⁺ _{-.05}	#5-20	1-206062-3
	$\triangle 7$	INDIVIDUAL	$\triangle 6$.50 ⁺ _{-.05}	#5-20	1-206062-2
SUPERSEDED BY 1-206062-3		INDIVIDUAL	$\triangle 8$.62 ⁺ _{-.05}	#5-20	1-206062-1
	$\triangle 9$	OBSOLETE	$\triangle 8$.38 ⁺ _{-.05}	#5-20	1-206062-0
AMP BRAZIL USE ONLY		INDIVIDUAL		12mm ⁺ _{-.8}	3mm-20	$\triangle 5$ 206062-9
AMP BRAZIL USE ONLY		INDIVIDUAL		10mm ⁺ _{-.8}	3mm-20	$\triangle 5$ 206062-8
SUPERSEDED BY 1-206062-7	$\triangle 4$	BULK	$\triangle 8$.50 ⁺ _{-.05}	#5-20	206062-4
SUPERSEDED BY 1-206062-4		INDIVIDUAL	$\triangle 8$.50 ⁺ _{-.05}	#5-20	206062-3
SUPERSEDED BY 1-206062-5	$\triangle 4$	BULK	$\triangle 8$.38 ⁺ _{-.05}	#5-20	206062-2
SUPERSEDED BY 1-206062-6		INDIVIDUAL	$\triangle 8$.38 ⁺ _{-.05}	#5-20	206062-1
		PACKAGING	SCREW FINISH	SCREW LENGTH	SCREW TYPE	PART NUMBER

THIS DRAWING IS A CONTROLLED DOCUMENT.

DWN A GRAFF 4/29/91
CHK W.G.LENKER 7-22-92
APVD -

STE TE Connectivity

CABLE CLAMP KIT, STANDARD, SHELL SIZE 11, CPC

DIMENSIONS: INCHES

TOLERANCES UNLESS OTHERWISE SPECIFIED:

0 PLC	± -
1 PLC	± -
2 PLC	± -
3 PLC	± -
4 PLC	± -
ANGLES	± -

MATERIAL THERMOPLASTIC

FINISH -

PRODUCT SPEC -

APPLICATION SPEC -

WEIGHT -

CUSTOMER DRAWING

SCALE NTS

SHEET 1 OF 1

REV W

SIZE A3

CAGE CODE 00779

DRAWING NO C-206062

RESTRICTED TO -