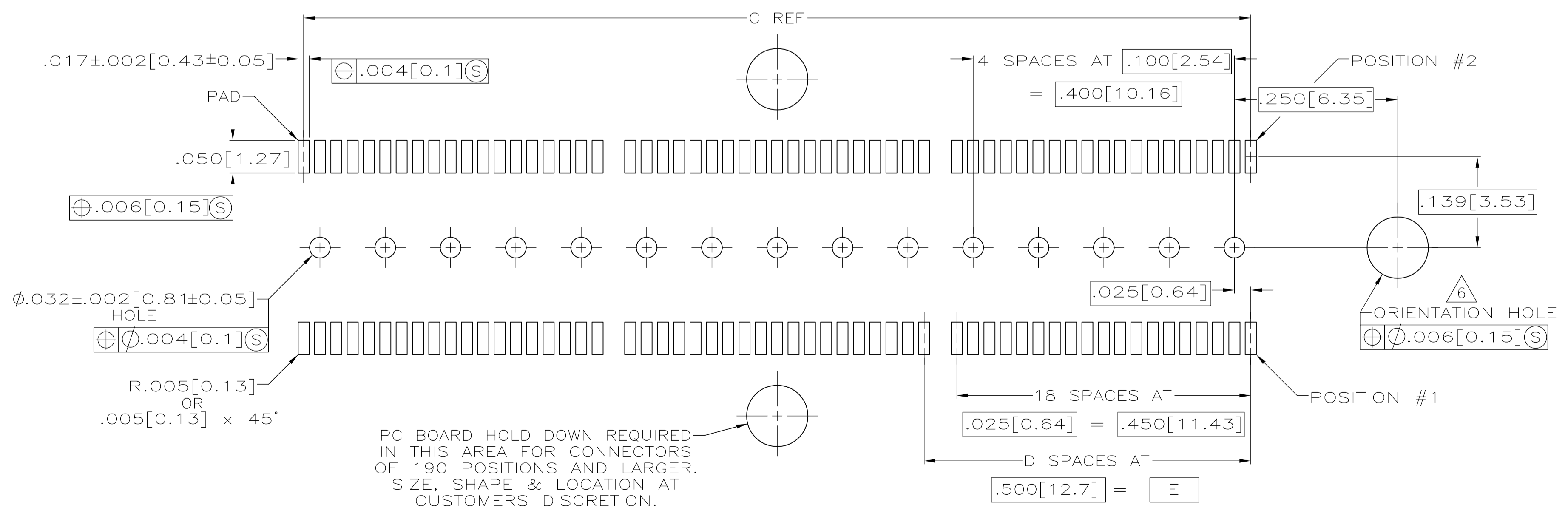
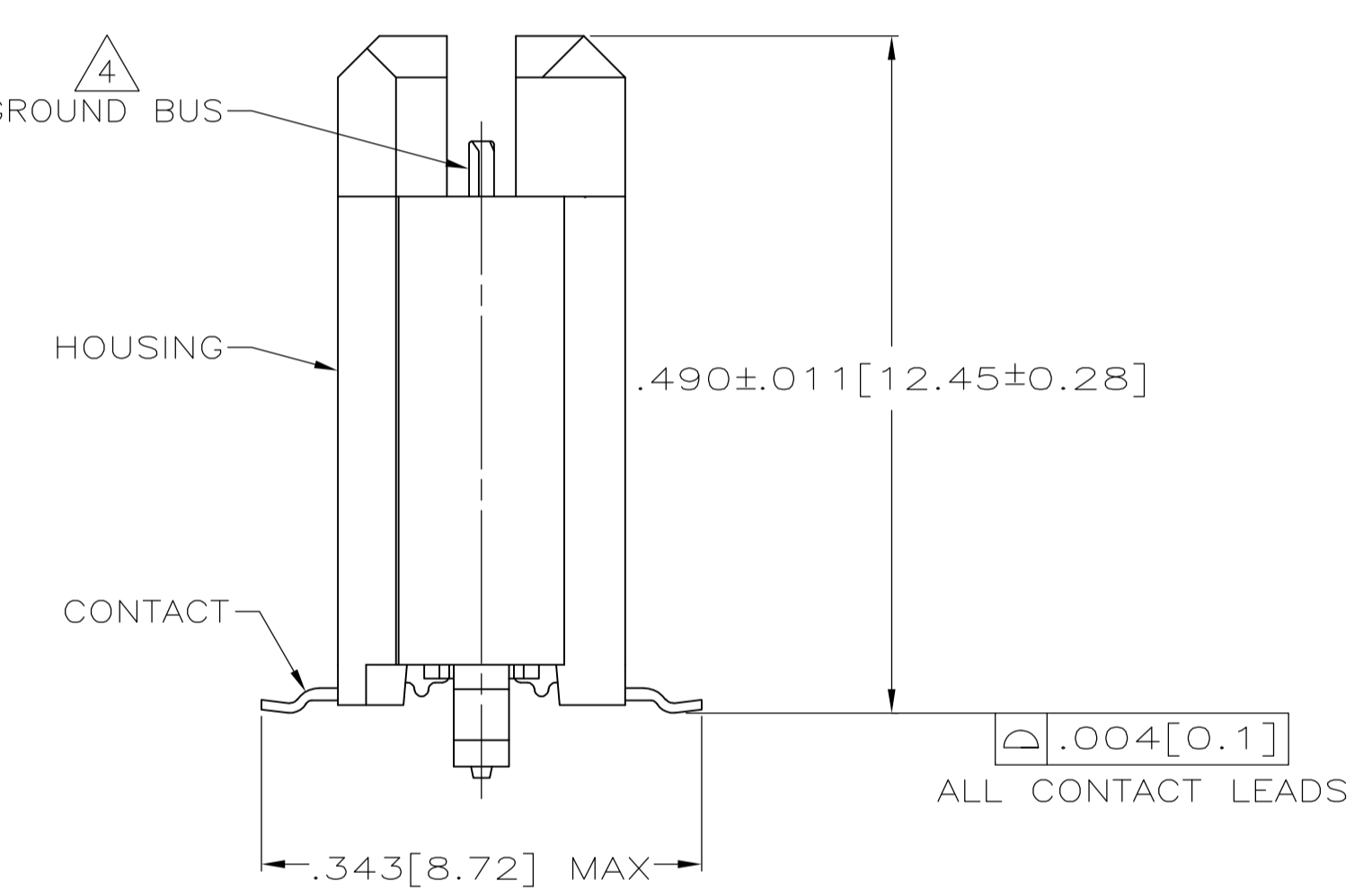
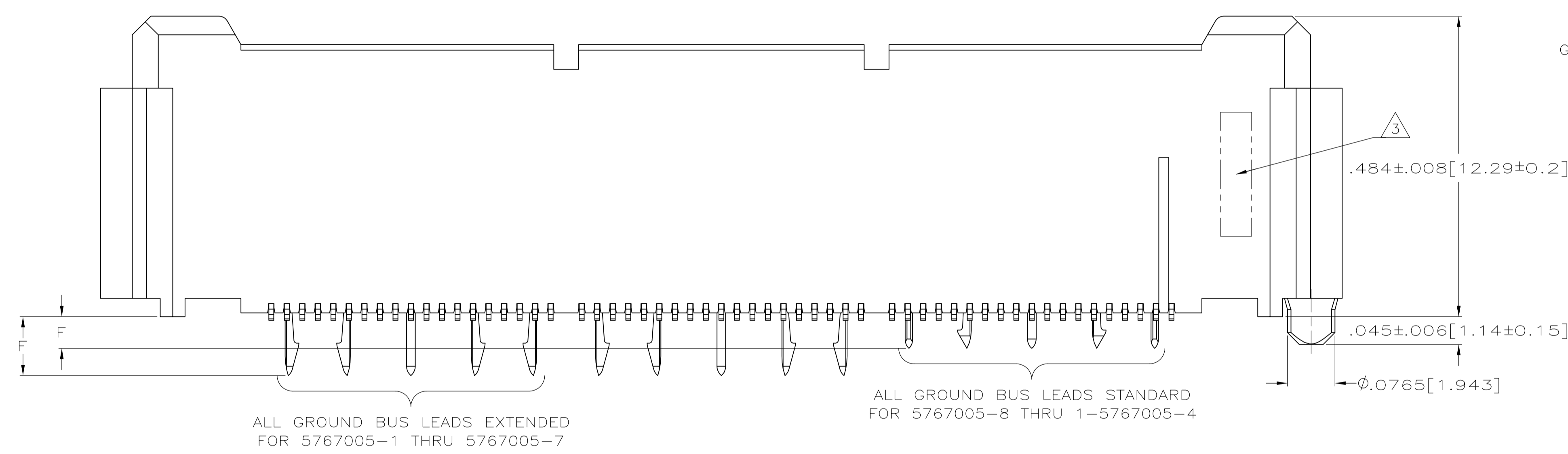
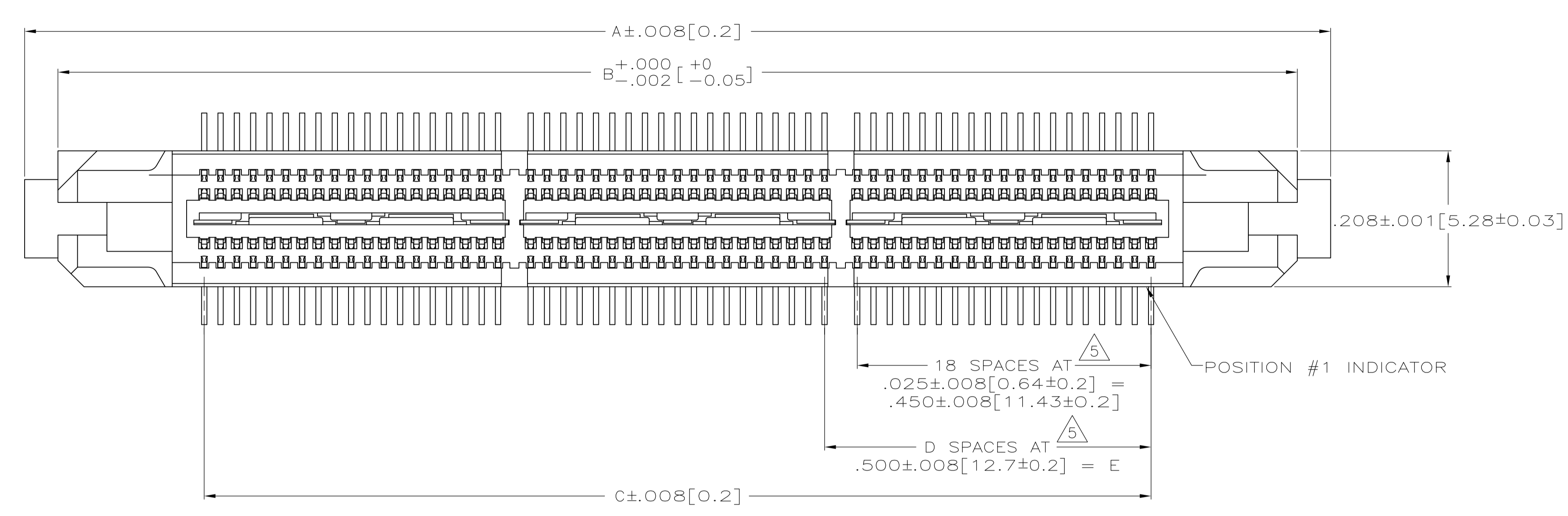


LOC	DIST	REV	DESCRIPTION	DATE	DW	APV
AD	47	A2	REVISED PER ECO-12-007590	19JUL12	KH	MH

- 1 HOUSING: LIQUID CRYSTAL POLYMER, COLOR BLACK.
CONTACTS: HIGH RELIABILITY COPPER ALLOY.
GROUND BUSES: BRASS, UNS C26000
- 2 CONTACTS & GROUND BUSES: NICKEL UNDERPLATE ALL OVER,
MATING SURFACE PLATED TO MEET LEVEL 1 PERFORMANCE
REQUIREMENTS OF TE CONNECTIVITY PRODUCT SPECIFICATION
108-1422, SOLDER TAILS PLATED MATTE TIN.
- 3 DATE CODE MARKED IN AREA INDICATED ON OPPOSITE SIDE OF
POSITION #1.
- 4 ONE GROUND BUS WITH 5 TAILS PER EACH MODULE.
- 5 TOLERANCE NON-ACCUMULATIVE.
- 6 FOR STANDARD APPLICATIONS, ORIENTATION HOLE TO BE
 $\phi .094 \pm .002 [2.39 \pm 0.05]$.
FOR SLIP-FIT APPLICATIONS, ORIENTATION HOLE TO BE
 $\phi .079 \pm .001 [2.00 \pm 0.03]$.



PC BOARD HOLD DOWN REQUIRED IN THIS AREA FOR CONNECTORS OF 190 POSITIONS AND LARGER. SIZE, SHAPE & LOCATION AT CUSTOMERS DISCRETION.

RECOMMENDED PC BOARD LAYOUT (VIEWED FROM CONNECTOR SIDE)

BUS LEADS TYPE	F	E	D	C	B	A	NO OF POS	PART NUMBER
STANDARD	.060 [1.52]	3.000 [76.2]	6	3.450 [87.63]	3.898 [99]	4.000 [101.6]	266	1-5767005-4
STANDARD	.060 [1.52]	2.500 [63.5]	5	2.950 [74.93]	3.398 [86.31]	3.500 [88.9]	228	1-5767005-3
STANDARD	.060 [1.52]	2.000 [50.8]	4	2.450 [62.23]	2.898 [73.61]	3.000 [76.2]	190	1-5767005-2
STANDARD	.060 [1.52]	1.500 [38.1]	3	1.950 [49.53]	2.398 [60.91]	2.500 [63.5]	152	1-5767005-1
STANDARD	.060 [1.52]	1.000 [25.4]	2	1.450 [36.83]	1.898 [48.21]	2.000 [50.8]	114	1-5767005-0
STANDARD	.060 [1.52]	.500 [12.7]	1	.950 [24.13]	1.398 [35.51]	1.500 [38.1]	76	5767005-9
STANDARD	.060 [1.52]	.000 [0]	0	.450 [11.43]	.898 [22.81]	1.000 [25.4]	38	5767005-8
OBSOLETE EXTENDED	.104 [2.64]	3.000 [76.2]	6	3.450 [87.63]	3.898 [99]	4.000 [101.6]	266	5767005-7
OBSOLETE EXTENDED	.104 [2.64]	2.500 [63.5]	5	2.950 [74.93]	3.398 [86.31]	3.500 [88.9]	228	5767005-6
OBSOLETE EXTENDED	.104 [2.64]	2.000 [50.8]	4	2.450 [62.23]	2.898 [73.61]	3.000 [76.2]	190	5767005-5
OBSOLETE EXTENDED	.104 [2.64]	1.500 [38.1]	3	1.950 [49.53]	2.398 [60.91]	2.500 [63.5]	152	5767005-4
OBSOLETE EXTENDED	.104 [2.64]	1.000 [25.4]	2	1.450 [36.83]	1.898 [48.21]	2.000 [50.8]	114	5767005-3
OBSOLETE EXTENDED	.104 [2.64]	.500 [12.7]	1	.950 [24.13]	1.398 [35.51]	1.500 [38.1]	76	5767005-2
OBSOLETE EXTENDED	.104 [2.64]	.000 [0]	0	.450 [11.43]	.898 [22.81]	1.000 [25.4]	38	5767005-1

THIS DRAWING IS A CONTROLLED DOCUMENT.

DIMENSIONS: INCHES
 TOLERANCES UNLESS OTHERWISE SPECIFIED:
 0 PLC ± -
 1 PLC ± -
 2 PLC ± -
 3 PLC ± .005(0.13)
 4 PLC ± -
 ANGLES ± -

DIN G. ATTADIA 25 OCT 04
 CHK D. DIXON 25 OCT 04
 APVD D. DIXON 25 OCT 04
 NAME
 PRODUCT SPEC 108-1422
 APPLICATION SPEC 114-11004
 WEIGHT
 CUSTOMER DRAWING

BIN S. ATTADIA 25 OCT 04
 CHK D. DIXON 25 OCT 04
 NAME
 PRODUCT SPEC 108-1422
 APPLICATION SPEC 114-11004
 WEIGHT
 CUSTOMER DRAWING

STE TE Connectivity
 PLUG ASSEMBLY, .495[12.57] VERTICAL, .025[0.64]CL, GULL WING LEADS, MICTOR
 SIZE CAGE CODE DRAWING NO RESTRICTED TO
 A1 00779 C=5767005
 SCALE 8:1 SHEET 1 OF 1 REV A2