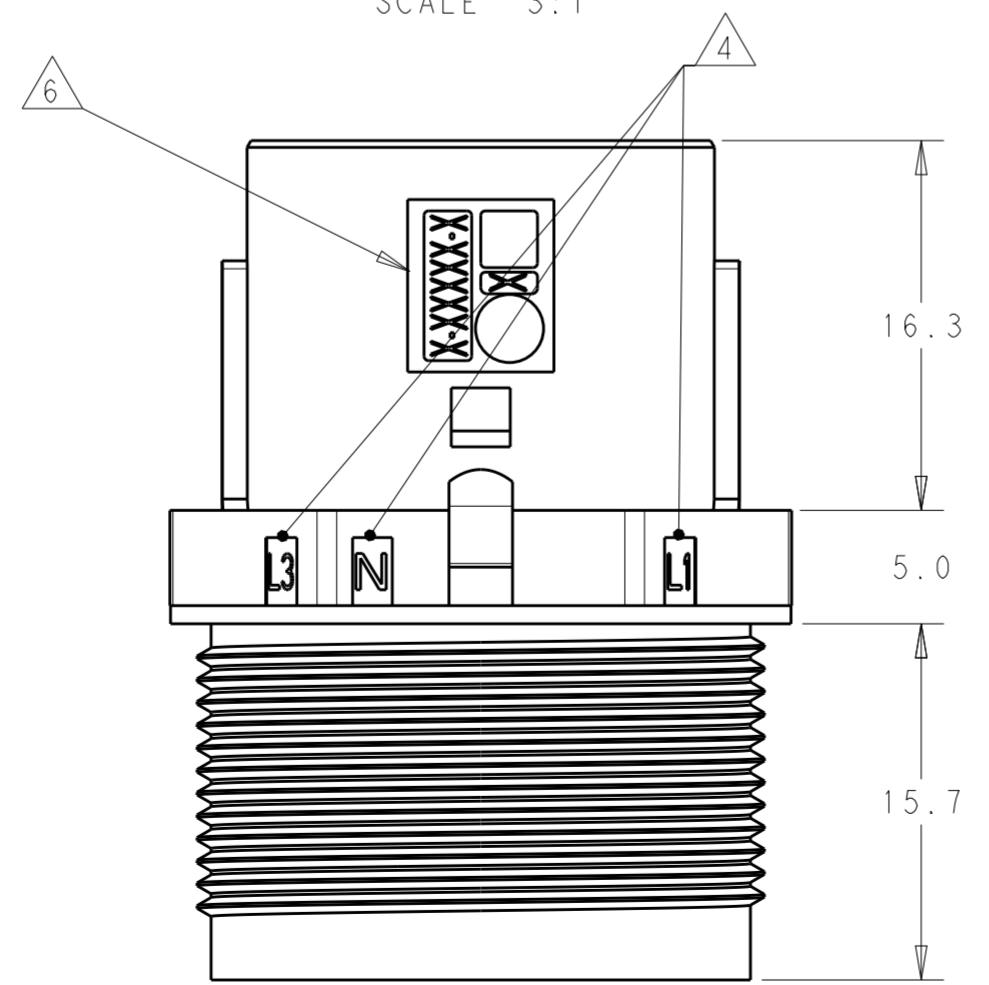
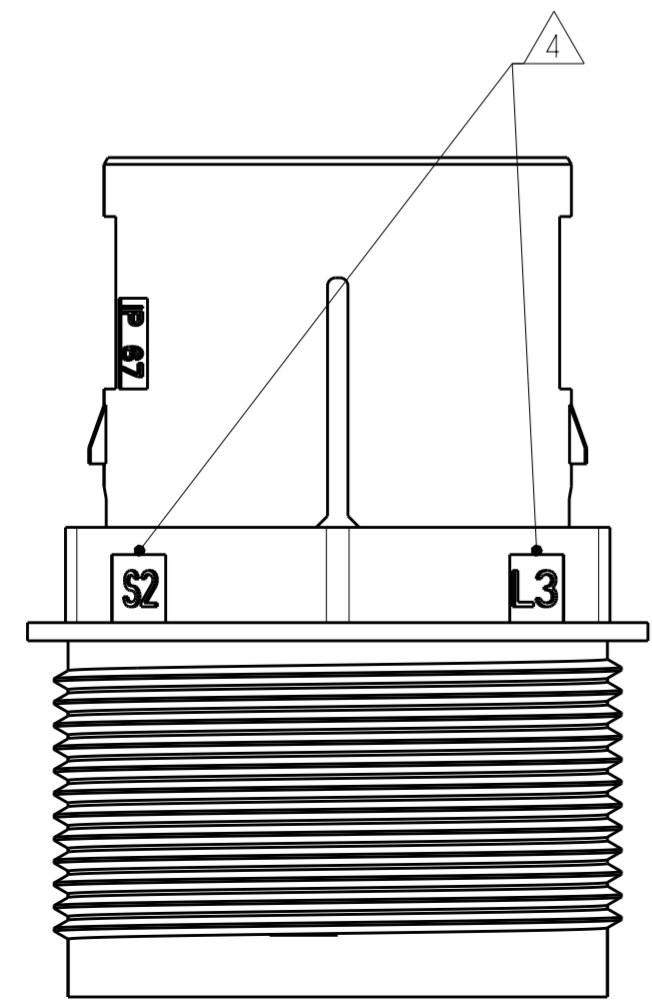
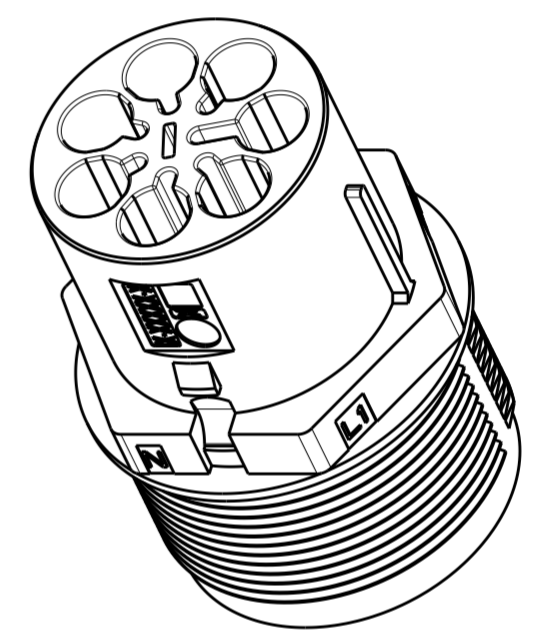
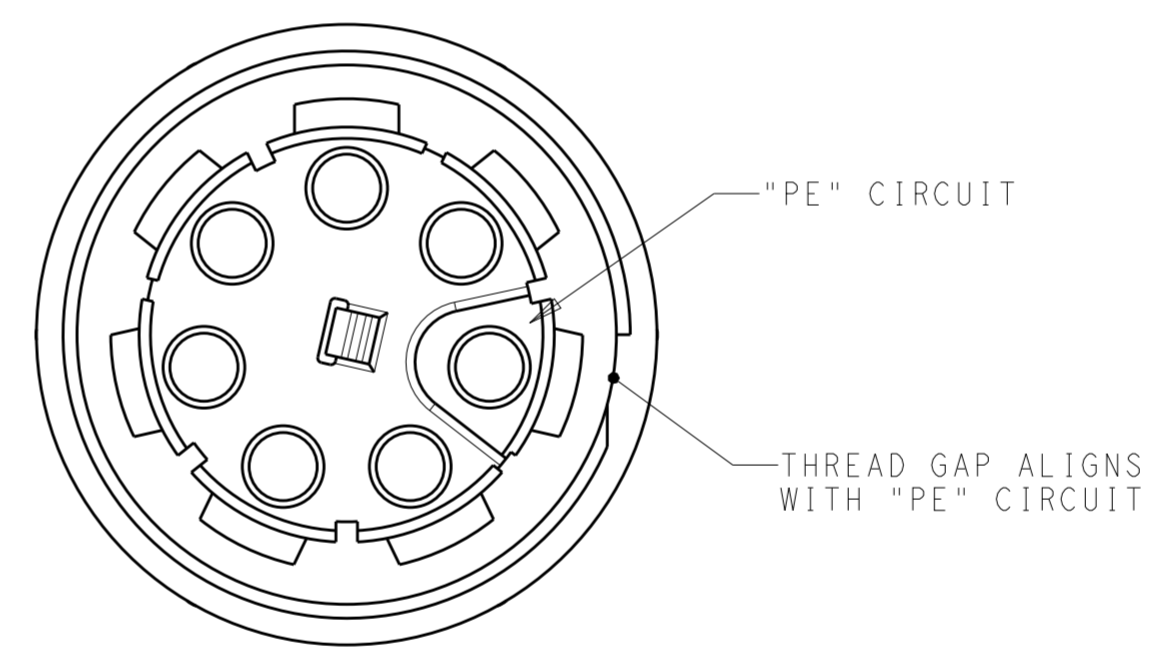
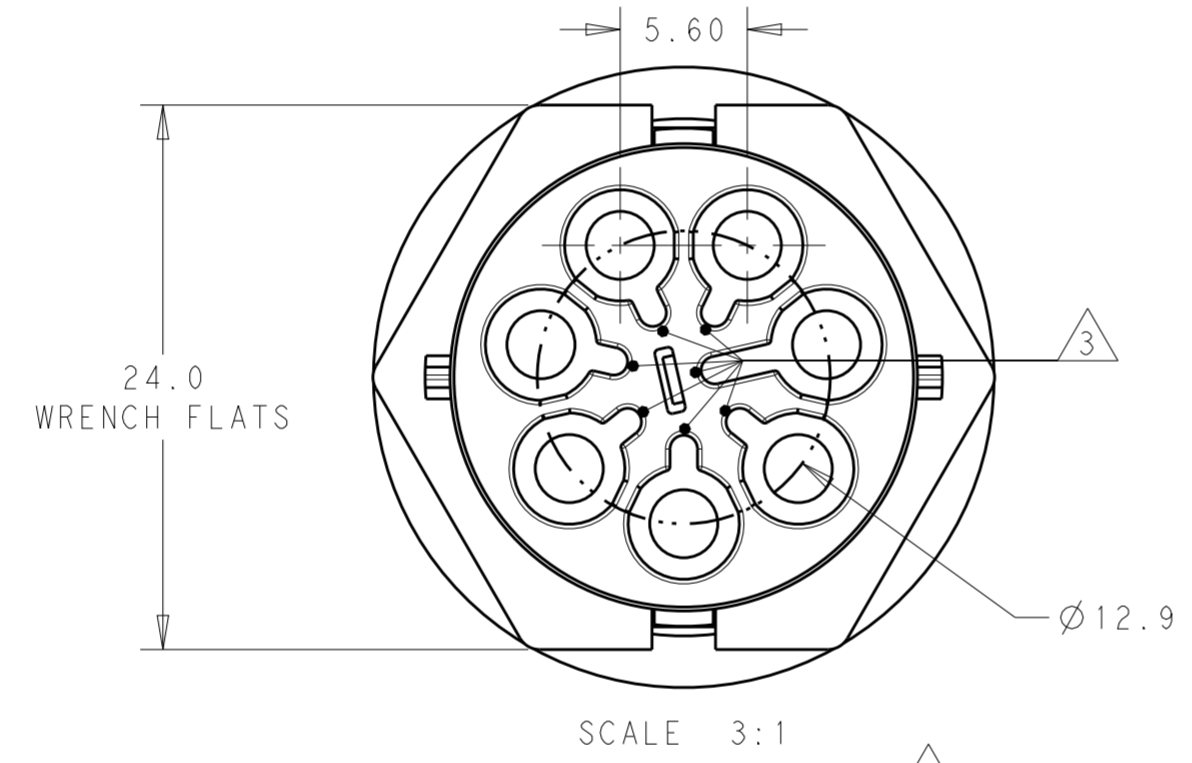
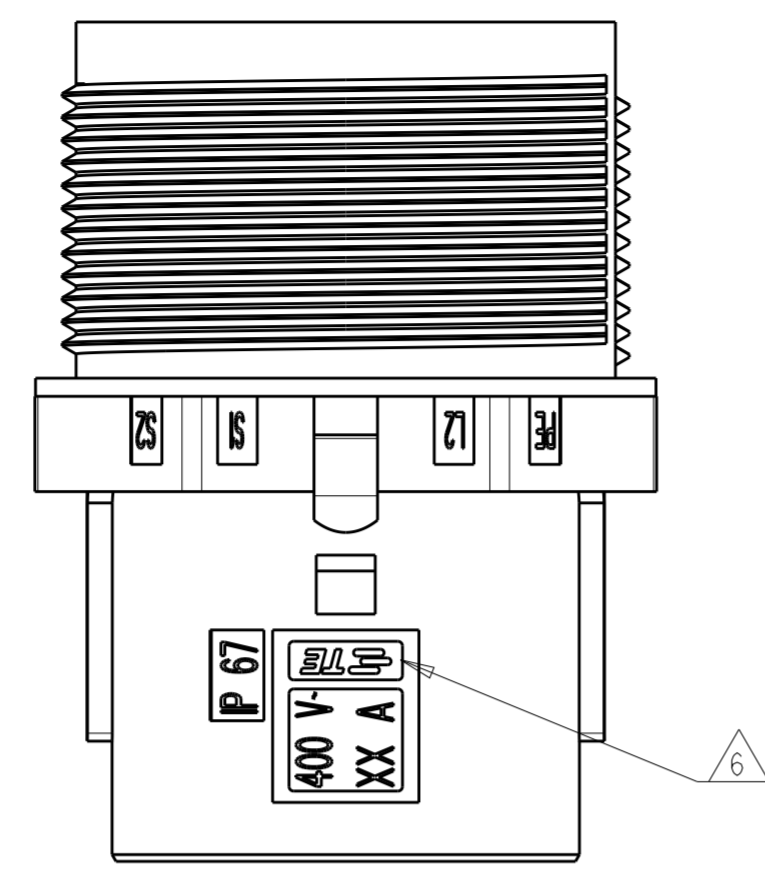


THIS DRAWING IS UNPUBLISHED. RELEASED FOR PUBLICATION 20
 © COPYRIGHT 20 BY - ALL RIGHTS RESERVED.

REVISIONS				
P	LTR	DESCRIPTION	DATE	APVD
A		REVISED AS PER ECR-15-005925	21APR2015	RS JL

NOTES:

1. MATERIAL: GLASS FILLED PBT, COLOR: BLACK
2. MUST COMPLY WITH DIRECTIVE 2002/95/EC (ROHS)
3. ALL POLARIZATION KEYS SHOWN FOR REF ONLY.
4. CIRCUIT I.D.
5. TE PART NUMBER
6. TE LOGO
7. THIS PRODUCT HAS NOT COMPLETED VALIDATION TESTING

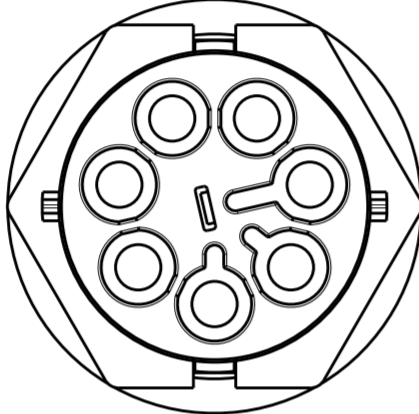
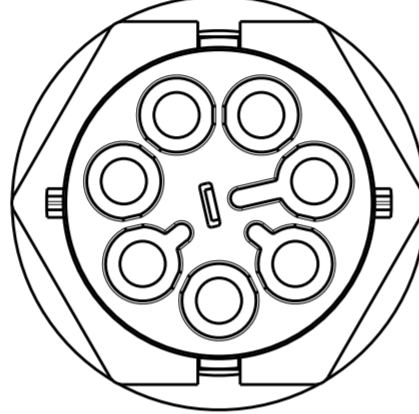
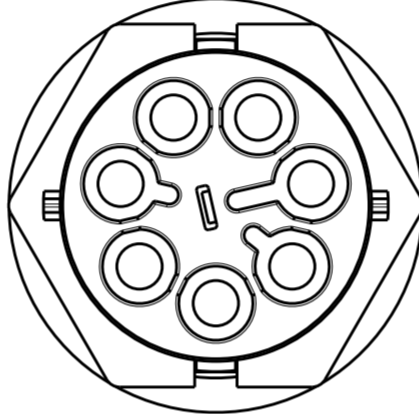
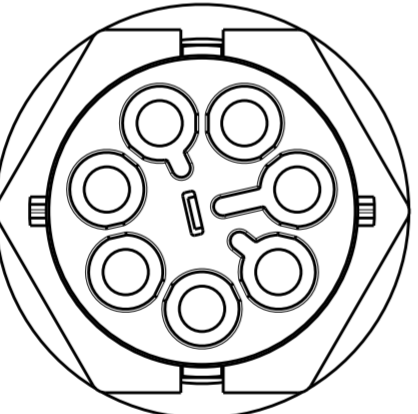
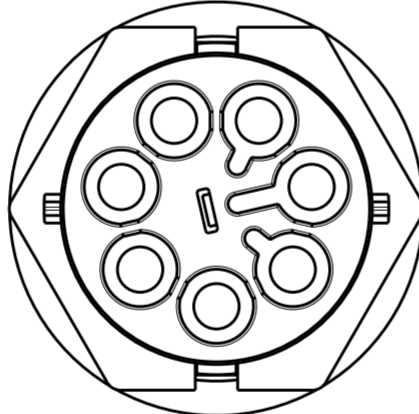



POLARIZATION KEYING	DESCRIPTION	PART NUMBER
E	FREE HANGING PIN. SEALED NECTOR M, 7 POSN	2213242-5
D	FREE HANGING PIN. SEALED NECTOR M, 7 POSN	2213242-4
C	FREE HANGING PIN. SEALED NECTOR M, 7 POSN	2213242-3
B	FREE HANGING PIN. SEALED NECTOR M, 7 POSN	2213242-2
A	FREE HANGING PIN. SEALED NECTOR M, 7 POSN	2213242-1

THIS DRAWING IS A CONTROLLED DOCUMENT.		DWN J. SHAFFER 21 JAN 2014	TE Connectivity	
DIMENSIONS: mm		CHK M. LUKSIC 21 JAN 2014		
TOLERANCES UNLESS OTHERWISE SPECIFIED:		APVD M. LUKSIC 21 JAN 2014	NAME	
0 PLC	±	PRODUCT SPEC	FREE HANGING PIN HOUSING SEALED NECTOR M-LINE, 7 POSN	
1 PLC	±0.2	APPLICATION SPEC	SIZE	CAGE CODE
2 PLC	±0.13	114-32111	A2	-
3 PLC	±	WEIGHT	DRAWING NO. C-2213242	
4 PLC	±	Customer Drawing	SCALE	SHEET
ANGLES	±		2:1	1 OF 2
FINISH	-			REV A

THIS DRAWING IS UNPUBLISHED. RELEASED FOR PUBLICATION 20
 © COPYRIGHT 20 BY - ALL RIGHTS RESERVED.

REVISIONS				
P	LTR	DESCRIPTION	DATE	APVD
-		SEE SHEET 1	-	-

POLARIZATION TYPES		
POLARIZATION TYPE "A"	POLARIZATION TYPE "B"	POLARIZATION TYPE "C"
		
PN: 2213242-1	PN: 2213242-2	PN: 2213242-3
POLARIZATION TYPE "D"	POLARIZATION TYPE "E"	
		
PN: 2213242-4	PN: 2213242-5	

THIS DRAWING IS A CONTROLLED DOCUMENT.		DWN J. SHAFFER 21 JAN 2014	 TE Connectivity	
DIMENSIONS: mm		CHK M. LUKSIC 21 JAN 2014		
TOLERANCES UNLESS OTHERWISE SPECIFIED:		APVD M. LUKSIC 21 JAN 2014	NAME FREE HANGING PIN HOUSING SEALED NECTOR M-LINE, 7 POSN	
0 PLC ± 1 PLC ±0.2 2 PLC ±0.13 3 PLC ± 4 PLC ±		PRODUCT SPEC 108-133014	RESTRICTED TO	
MATERIAL NOTE 1		APPLICATION SPEC 114-32111	SIZE A2	CAGE CODE -
FINISH -		WEIGHT -	DRAWING NO C-2213242	SCALE 2:1
		Customer Drawing	SHEET 2	OF 2
			REV A	