

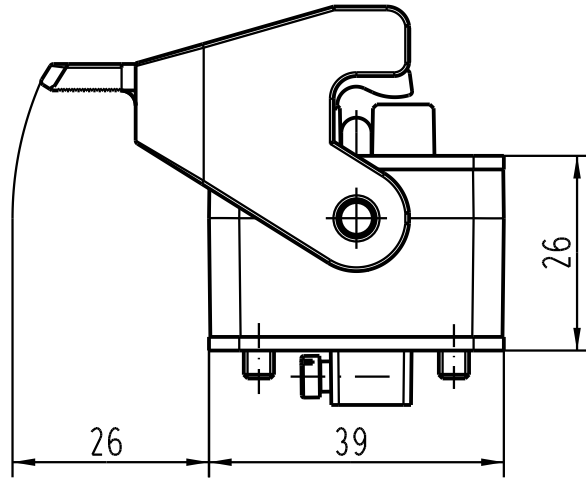
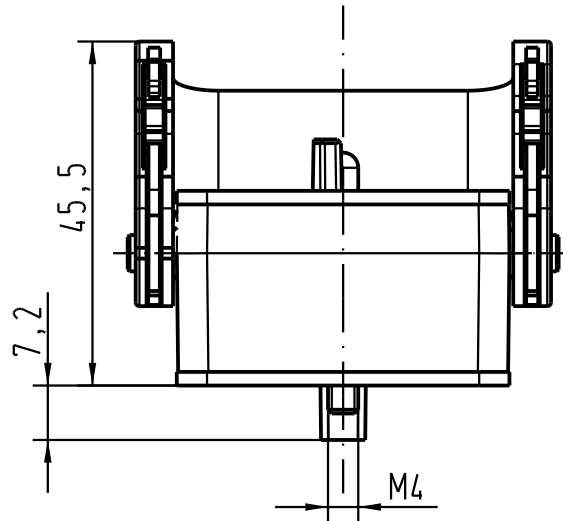
1 2 3 4 5 6

A

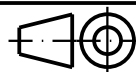
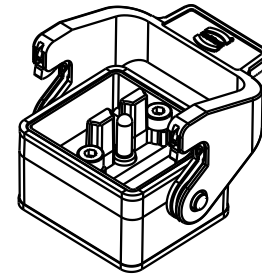
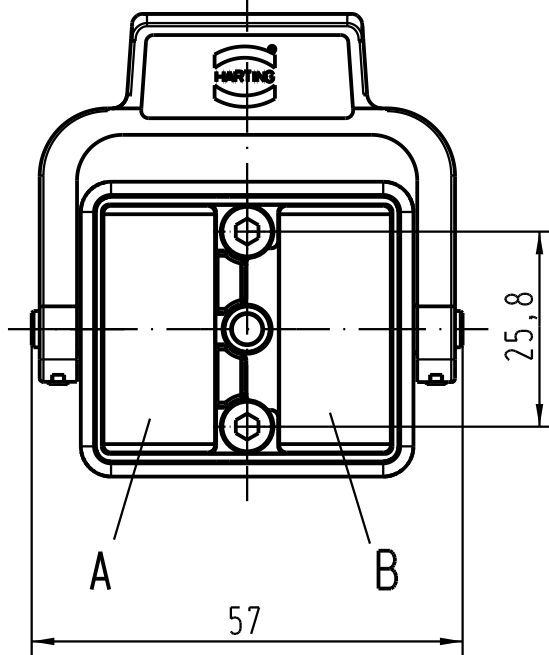
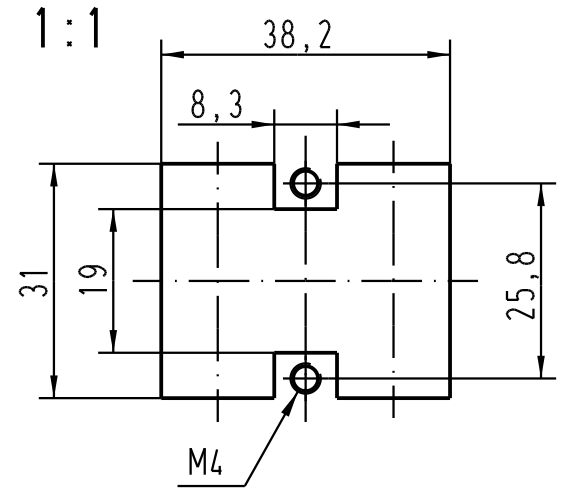
B

C

D



Montageausschnitt/
Panel cut out



All Dimensions in mm
Original Size DIN A 4

Techn. Character.

Nicht tolerierte Masse/ Free size tolerances

| | Dat. | Name | Masstab/Scale |
|---------|----------|------|---------------|
| Detail. | 02.09.05 | ML | 1:1 |
| Insp. | | FER. | |
| Stand. | | | |

Han 2Mod Anbaugeschäse/
Han 2Mod bulkhead mounting

| | | |
|--------|------|------|
| 411784 | | |
| Mod. | Dat. | Name |

HARTING Electric GmbH & Co. KG
D-32339 Espelkamp



TB 09 14 002 0301

Blatt/ page
Sub.