

**PLEASE CHECK WWW.MOLEX.COM FOR LATEST PART INFORMATION**

**Part Number:** **0765605108**  
**Status:** **Active**  
**Overview:** Impact™ Backplane Connector and Cable Assembly System  
**Description:** Impact™ 100 Ohm 6 Pair RAM Right Angle Header, Right Guided, Open Endwall, 10 Columns, 180 Circuits, Pin Length 5.50mm, Plated Through Hole Dimension 0.39mm, Lead-Free

**Documents:**

<a href="#">3D Model</a>	<a href="#">Application Specification AS-76060-9999 (PDF)</a>
<a href="#">Drawing (PDF)</a>	<a href="#">Packaging Specification PK-70873-777 (PDF)</a>
<a href="#">Product Specification PS-76060-999 (PDF)</a>	<a href="#">RoHS Certificate of Compliance (PDF)</a>
<a href="#">Application Specification AS-76060-990 (PDF)</a>	

**Agency Certification**

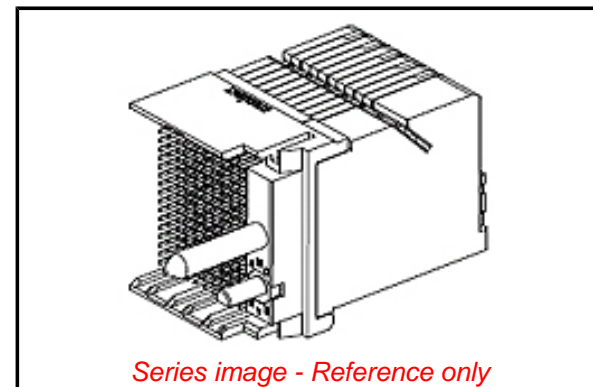
UL E29179

**General**

Product Family	Backplane Connectors
Series	76560
Application	Coplanar
Application Tooling Documents	TM-622018799
Component Type	PCB Header
Overview	Impact™ Backplane Connector and Cable Assembly System
Product Name	Impact™
UPC	884982480681

**Physical**

Circuits (Loaded)	180
Circuits (maximum)	180
Color - Resin	Black
Durability (mating cycles max)	200
First Mate / Last Break	No
Flammability	94V-0
Guide to Mating Part	Yes
Keying to Mating Part	None
Material - Metal	High Performance Alloy (HPA)
Material - Plating Mating	Gold
Material - Plating Termination	Tin
Material - Resin	High Temperature Thermoplastic
Net Weight	32.008/g
Number of Columns	10
Number of Pairs	6
Number of Rows	18
Orientation	Right Angle
PC Tail Length	1.20mm
PCB Locator	No
PCB Retention	Yes
PCB Thickness - Recommended	1.00mm
Packaging Type	Tray
Pitch - Mating Interface	1.90mm
Pitch - Termination Interface	1.90mm
Plating min - Mating	0.762µm
Stackable	No
Temperature Range - Operating	-55°C to +85°C
Termination Interface: Style	Through Hole - Compliant Pin



Series image - Reference only

**EU ELV**

**Not Relevant**

**EU RoHS**

**Compliant**

**REACH SVHC**

Not Contained Per  
-ED/79/2015 (17  
December 2015)

**Halogen-Free**

**Status**

**Low-Halogen**

**Need more information on product environmental compliance?**

Email [productcompliance@molex.com](mailto:productcompliance@molex.com)  
Please visit the [Contact Us](#) section for any non-product compliance questions.

China ROHS

ELV

Green Image

Not Relevant

**Search Parts in this Series**

76560 Series

**Mates With**

76150 Impact™ 100 Ohm Daughtercard

**Application Tooling | FAQ**

*Tooling specifications and manuals are found by selecting the products below. Crimp Height Specifications are then contained in the Application Tooling Specification document.*

**Global**

Description	Product #
Daughter Card	<a href="#">0622018661</a>
Signal Module	
Assembly Press-In	
Tool for 6-Pair by 10-Column Assemblies	

Impact™ Right Angle0622024350  
Module Removal  
Tool (RAM)

**Electrical**

Current - Maximum per Contact	0.75A
Data Rate	25.0 Gbps
Impedance	100#
Shield Type	N/A
Shielded	No
Voltage - Maximum	30V AC (RMS)/DC

**Solder Process Data**

Lead-freeProcess Capability	N/A
-----------------------------	-----

**Material Info****Reference - Drawing Numbers**

Application Specification	AS-76060-990, AS-76060-9999
Electrical Model Document	EE-76560-0001
Packaging Specification	PK-70873-777
Product Specification	PS-76060-999
S-Parameter Model	SP-76560-0001, SP-76560-002
Sales Drawing	SD-76560-004, SD-76560-9004
Symbol/Footprint Data	SYM-76560-5108

This document was generated on 06/10/2016

**PLEASE CHECK [WWW.MOLEX.COM](http://WWW.MOLEX.COM) FOR LATEST PART INFORMATION**