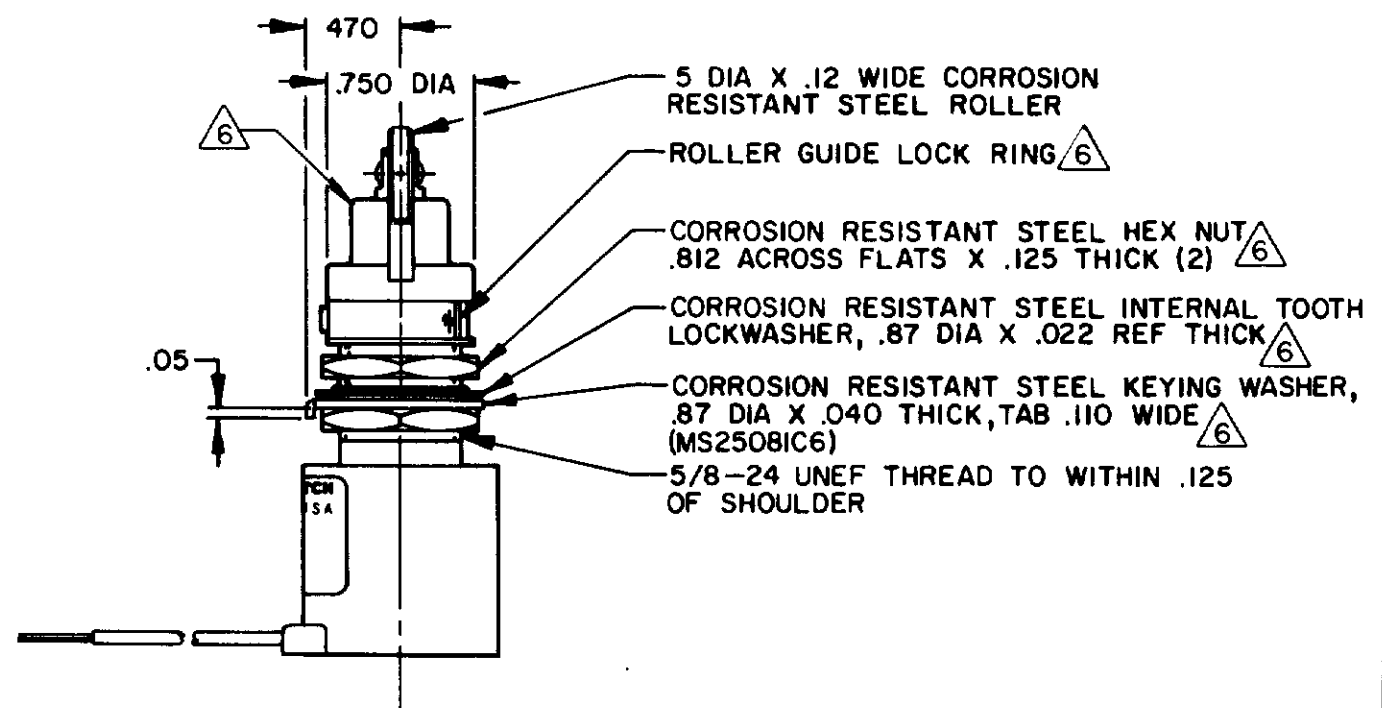
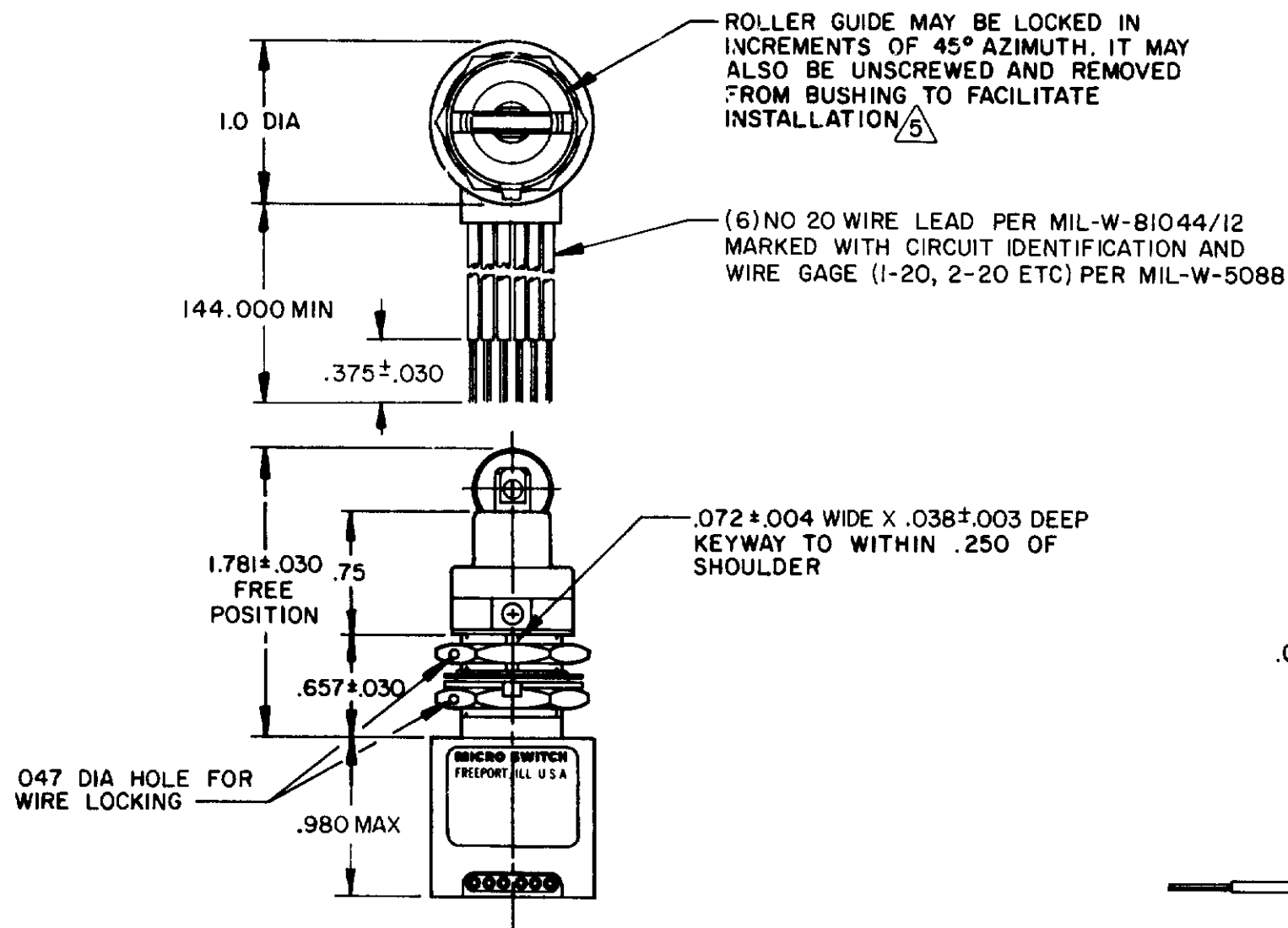
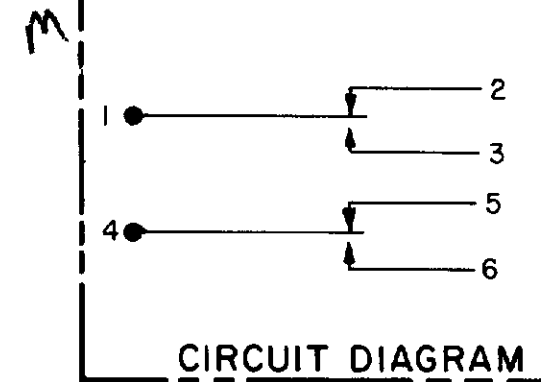


**MICRO SWITCH**  
 FREEPORT ILLINOIS U.S.A.  
 A DIVISION OF HONEYWELL  
 FED MFG CODE 81928

**SWITCH - ENCLOSED**

CATALOG LISTING  
**21EN37-12**



- NOTES**
- 1 - CORROSION RESISTANT STEEL ENCLOSURE
  - 2 - SWITCH SEALED PER MIL-S-8805 SYMBOL 4
  - 3 - CIRCUIT IDENTIFICATION AND CATALOG LISTING ARE SHOWN ON NAMEPLATE
  - 4 - COINCIDENCE OF OPERATING AND RELEASING POINTS: .010 OF PLUNGER TRAVEL
  - <sup>5</sup> TO ADJUST ROLLER DIRECTION, REMOVE ROLLER GUIDE LOCK RING, SCREW ROLLER GUIDE DOWN AS FAR AS POSSIBLE, THEN UNSCREW TO DESIRED DIRECTION. SECURE BY REPLACING ROLLER GUIDE LOCK RING
  - <sup>6</sup> HARDWARE MAY BE PACKAGED UNASSEMBLED PER MIL-S-8805

21EN37-12  
 M  
 DRAWING NUMBER  
 3  
 ISSUE  
 4  
 REVISIONS  
 A PRI 5537 FSK 6 APR 87  
 B COT 4101 GJW 19 JAN 93  
 C 750 12 MAY 94  
 FO-92851-A  
 DRAWN  
 TSK  
 6 APR 87  
 CHECK  
 7 APR 87  
 CHECK  
 7 APR 87  
 REPLACES  
 PR-15537  
 CHECK

THIS DRAWING COVERS A PROPRIETARY ITEM AND IS THE PROPERTY OF MICRO SWITCH, A DIVISION OF HONEYWELL. THIS DRAWING IS NOT TO BE COPIED OR USED WITHOUT THE APPROVAL OF MICRO SWITCH.		THIRD ANGLE PROJECTION	SCALE FULL
CHARACTERISTICS		ELECTRICAL DATA	
OPERATING FORCE -----	6-12 LB	CONTACT ARRANGEMENT SPDT (2)	
FULL OVERTRAVEL FORCE -----	30 LB MAX	28 VDC	
RELEASE FORCE -----	4 LB MIN	LOAD	SEA LEVEL 50,000 FT.
PRETRAVEL -----	.040 MAX	RES	4 4
DIFFERENTIAL TRAVEL -----	.020 MAX	IND	2 2
OVERTRAVEL -----	.250 MIN	MOTOR	4
		LAMP	
		WEIGHT 8.9 OZ MAX	

TOLERANCES			
APPLY TO DESIGN UNITS. CONVERSIONS ARE ONLY FOR REFERENCE. UNLESS NOTED, TOLERANCES ARE 2			
NO PLACES	DIM	TOL	DIM
	mm	mm/in	in
ONE PLACE	X	1/34	X X
TWO PLACES	X X	0.4/0.18	X X X
THREE PLACES	X X X	0.18/0.08	X X X X
ANGLES			
DESIGN UNITS		SI METRIC	US CUSTOMARY
RAW MATERIAL - COMMERCIAL STANDARD			
MICRO SWITCH STANDARDS APPLY			
DIMENSIONS ARE TO BE MET BEFORE PROTECTIVE COATINGS ARE APPLIED			