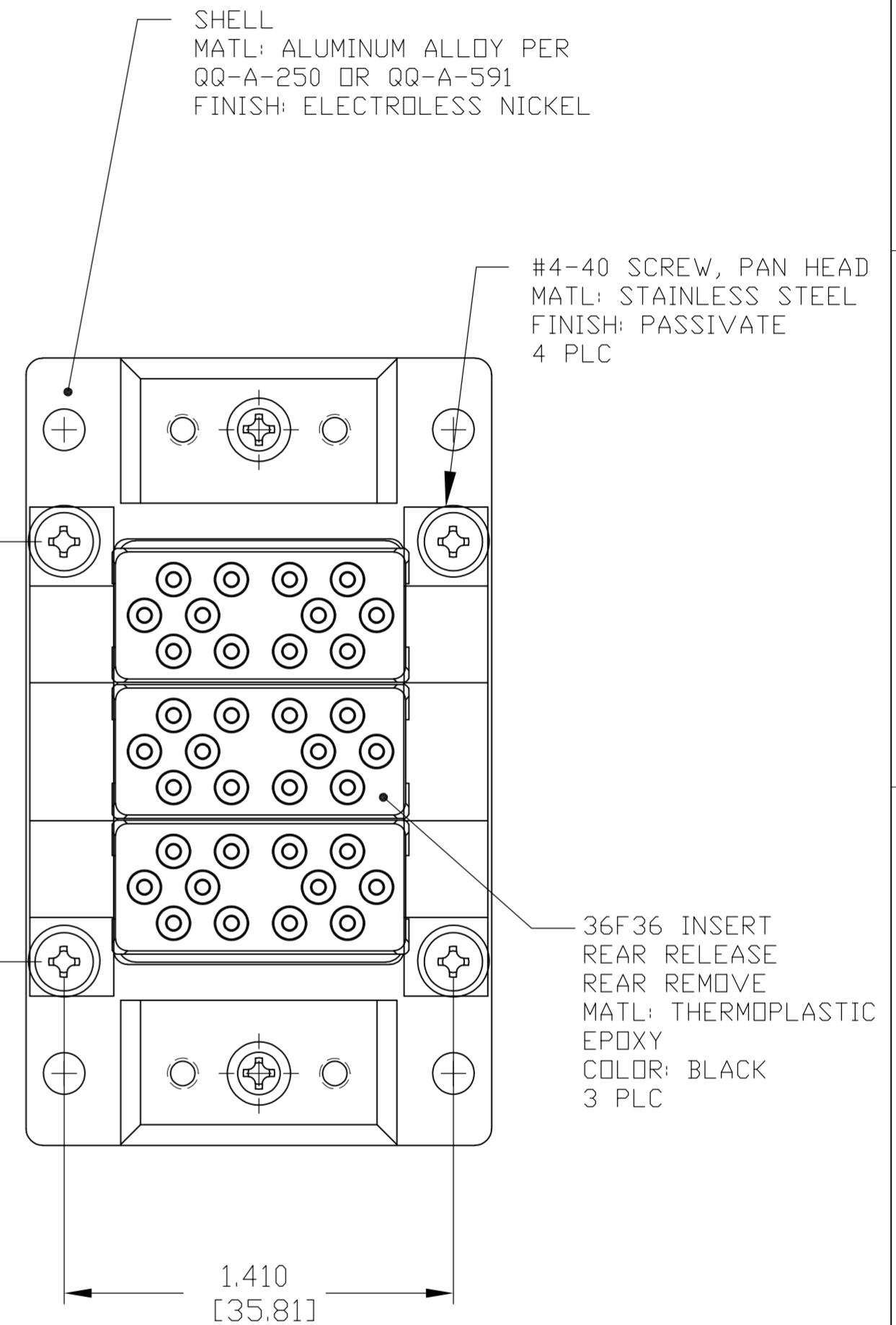
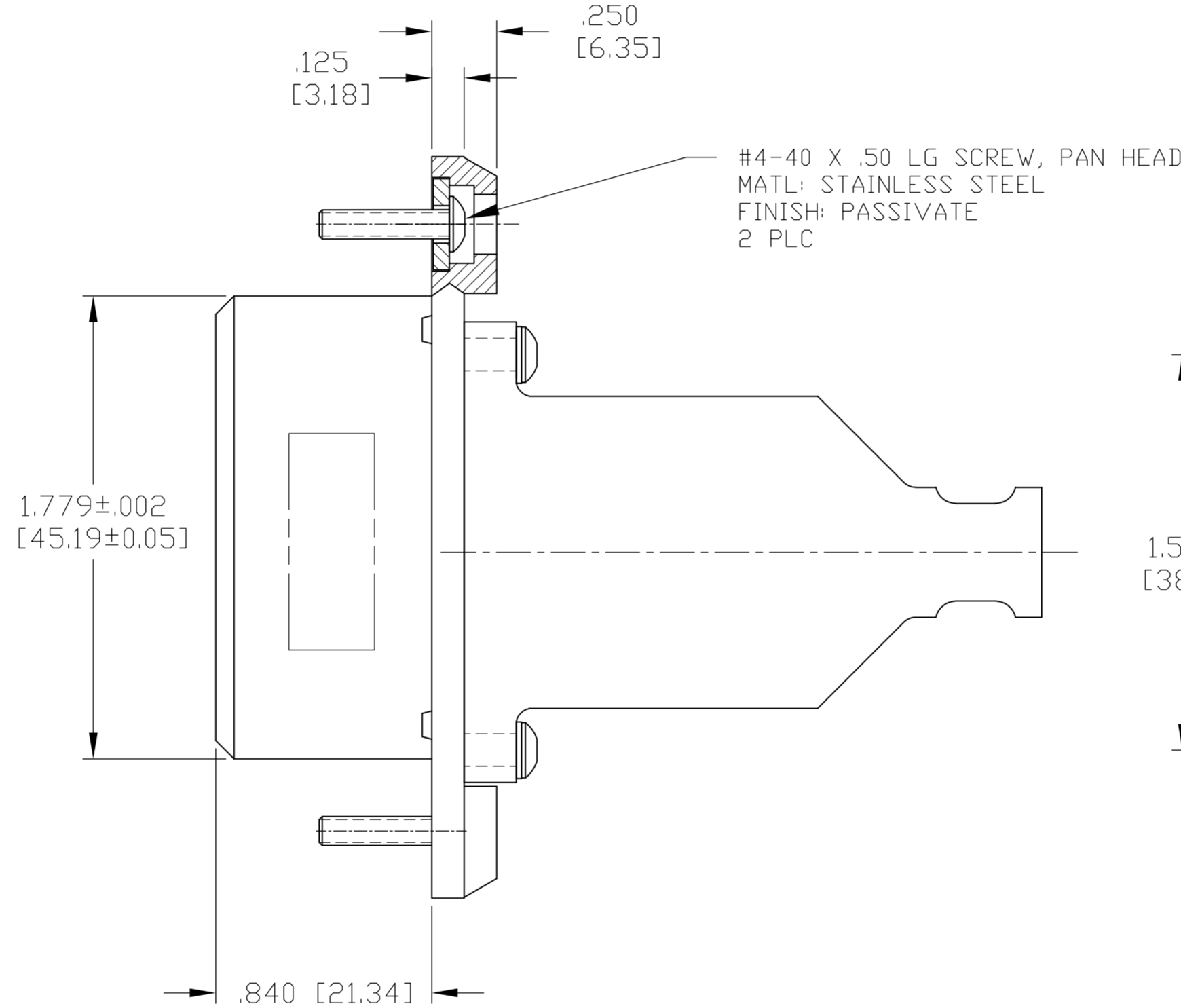
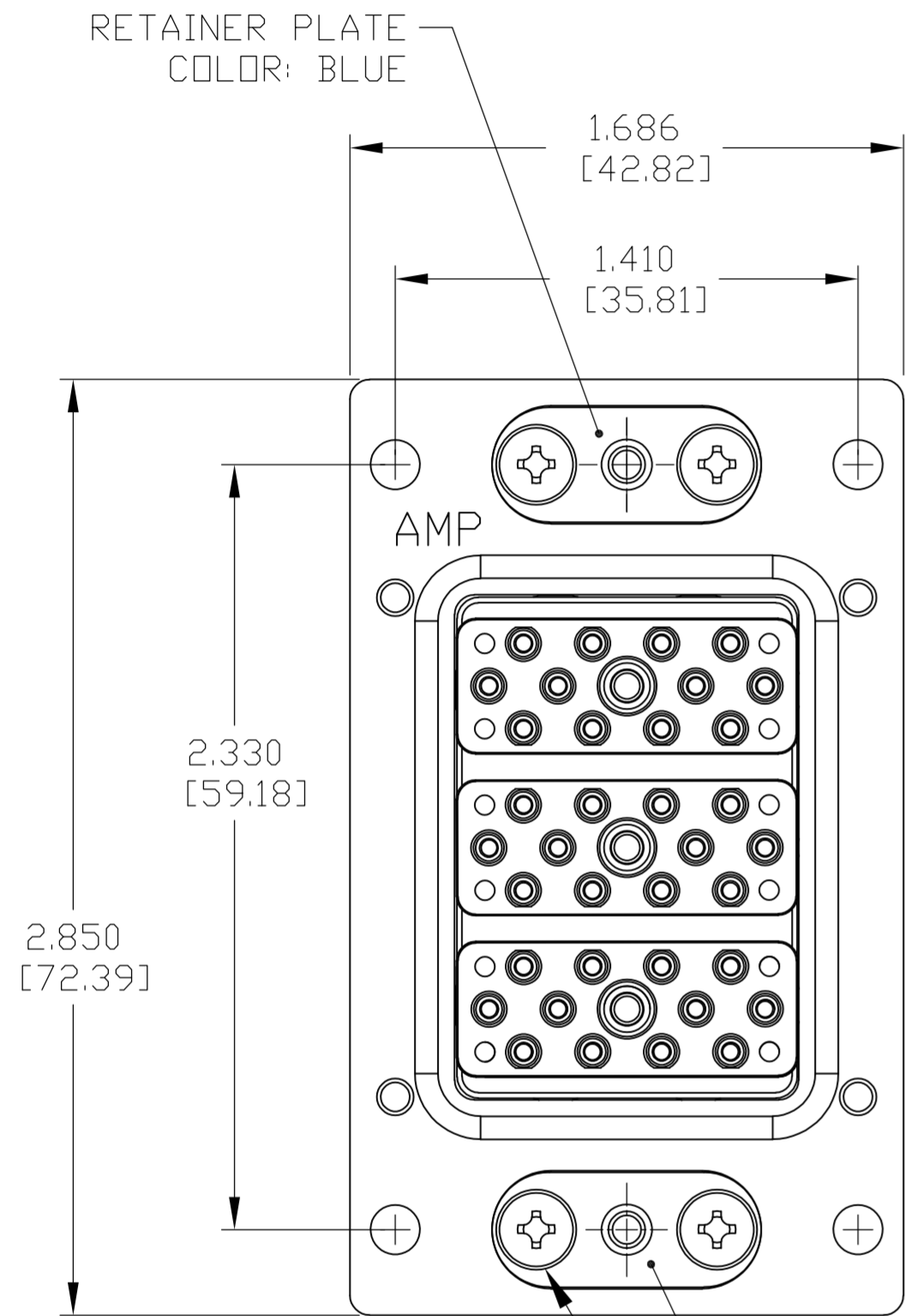


THIS DRAWING IS UNPUBLISHED. RELEASED FOR PUBLICATION
 © COPYRIGHT BY TYCO ELECTRONICS CORPORATION. ALL RIGHTS RESERVED.

LOC	DIST	REVISIONS			
P	LTR	DESCRIPTION	DATE	DWN	APVD
DF	X5				
		REV PER ECO 08-008914	06MAY08	PY	KT



#4-40 SCREW, FLAT HEAD
MATL: STAINLESS STEEL
FINISH: PASSIVATE
4 PLC

RETAINER PLATE
COLOR: RED

1. RUBBER GROMMET MAY BE ONE OR THREE PARTS.

1996184-1

PART NUMBER

THIS DRAWING IS A CONTROLLED DOCUMENT.		DWN C.C.THOMAS 7-16-07	Tyco Electronics Corporation Harrisburg, PA 17105-3608	
DIMENSIONS: INCHES [mm]		CHK K.THACKSTON 7-16-07	NAME SINGLE MOD PLUG ASSY,ARINC 600	
TOLERANCES UNLESS OTHERWISE SPECIFIED:		APVD K.THACKSTON 7-16-07	PRODUCT SPEC	
0 PLC ± -		APPLICATION SPEC		
1 PLC ± -		WEIGHT		
2 PLC ± -		SCALE A2 00779 C=1996184		
3 PLC ± .005 [0.13]		SHEET 1 of 1		
4 PLC ± -		REV E		
ANGLES ± -		CUSTOMER DRAWING		
FINISH		RESTRICTED TO		
SEE CALLOUTS		SEE CALLOUTS		